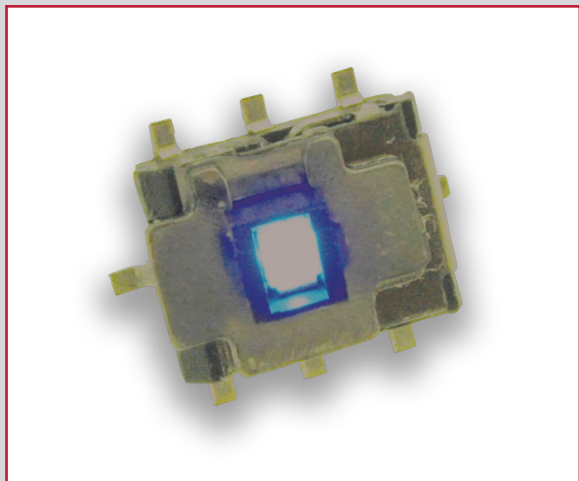
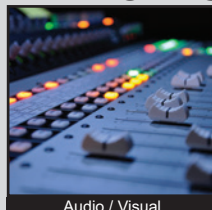


EGL2290 SERIES SLIDE SWITCH

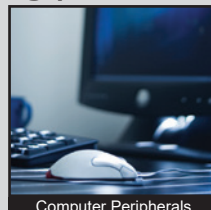
ANTI-VANDAL SWITCHES
 DETECTOR SWITCHES
 DIP SWITCHES
 KEYLOCK SWITCHES
 NAVIGATION SWITCHES
 PUSHBUTTON SWITCHES
 ROCKER SWITCHES
 ROTARY SWITCHES
 SLIDE SWITCHES
 SNAP ACTION SWITCHES
 TACTILE SWITCHES
 TOGGLE SWITCHES
 CAP OPTIONS



APPLICATIONS / MARKETS



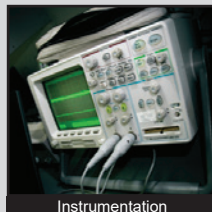
Audio / Visual



Computer Peripherals



Consumer Electronics



Instrumentation



Handheld Devices



Testing Equipment

RoHS

SPECIFICATIONS

Electrical Rating: 0.3A, 6VDC
Electrical Life: 10,000 Cycles
Contact Resistance: 50mΩ
Insulation Resistance: 100M Ω at 500VDC
Dielectric Strength: 500VAC
Operating Temperature: -40°C to 85°C
Storage Temperature: -40°C to 85°C
Actuation Force: 200 gf
Travel: 2.0mm
Contact Arrangement: DPDT

FEATURES & BENEFITS

- LED illumination
- SMT design
- DPDT circuit
- Compact design

PART NUMBER CONFIGURATOR

Series



EGL2290

LED Color



R = Red
 G = Green
 B = Blue
 Y = Yellow
 W = White
 RG = Red-Green Bi-color

Specifications subject to change without notice



E-SWITCH®

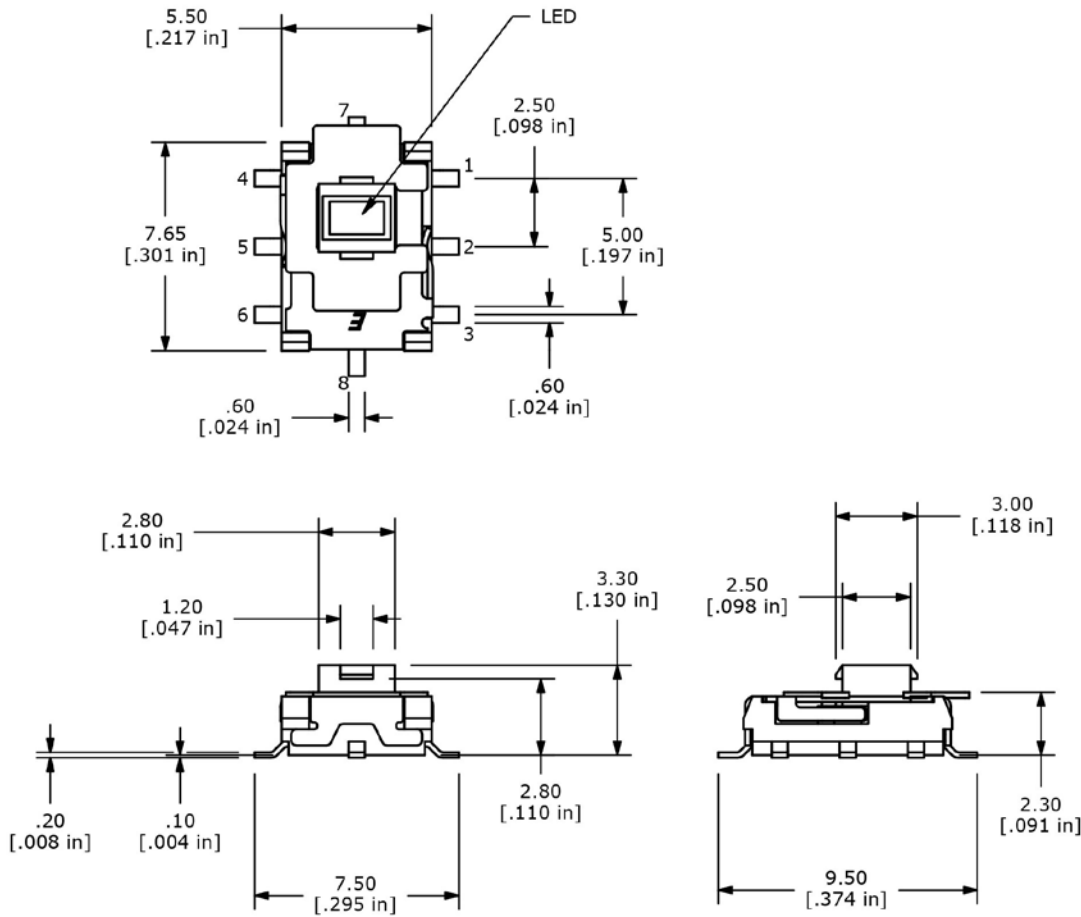
www.e-switch.com

800.867.2717

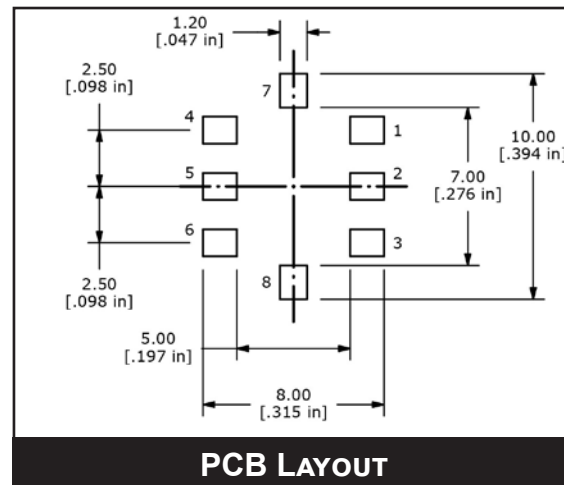
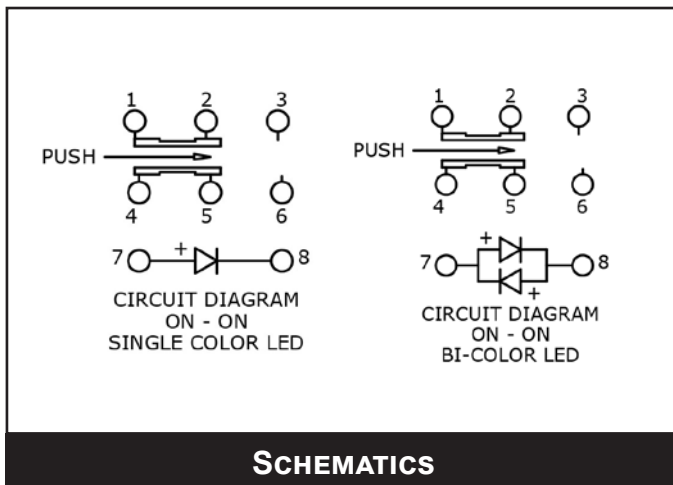
2

EGL2290 SERIES SLIDE SWITCH

BODY DIMENSIONS



LED SPECS			
LED COLOR	FORWARD CURRENT	FORWARD VOLTAGE @ 20mA	LUMINOUS INTENSITY @ 20mA
RED	20mA	1.95 typ.-2.5 max.	230 mcd typ.
GREEN	20mA	2.1 typ.- 2.5 max.	50 mcd typ.
BLUE	20mA	3.3 typ.- 4.0 max.	100 mcd typ.
YELLOW	20mA	2.0 typ.- 2.5 max.	150 mcd typ.
WHITE	20mA	3.3 typ.- 4.0 max.	200 mcd typ.
RED-GREEN	20mA	1.95 typ.-2.5 max. RED 2.1 typ.-2.5 max. GREEN	200 mcd typ. RED 50 mcd typ. GREEN



ANTI-VANDAL SWITCHES
DETECTOR SWITCHES
DIP SWITCHES
KEYLOCK SWITCHES
NAVIGATION SWITCHES
PUSHBUTTON SWITCHES
ROCKER SWITCHES
ROTARY SWITCHES
SLIDE SWITCHES
SNAP ACTION SWITCHES
TACTILE SWITCHES
TOGGLE SWITCHES
CAP OPTIONS

X-ON Electronics

Largest Supplier of Electrical and Electronic Components

Click to view similar products for [Slide Switches](#) category:

Click to view products by [E-Switch](#) manufacturer:

Other Similar products are found below :

[6-1437581-1](#) [M43R](#) [MHS123K15D](#) [MHS133K](#) [MHSS1104A](#) [MMD](#) [GH49S010001](#) [MSS12A](#) [EPS1PC1](#) [1825074-1](#) [1825160-3](#) [1825167-2](#)
[1825289-7](#) [K232CB](#) [25139NLDB](#) [25449NAH](#) [SLB1240R45](#) [1825078-1](#) [1825080-4](#) [1825269-1](#) [1825270-2](#) [STS141RA04](#) [T2215BEN506](#)
[GH46P000001](#) [GH46W000001](#) [GH49P010001](#) [25339NA](#) [M42A](#) [TG36P000000](#) [TG36P000050](#) [AYZ0202AG](#) [47227LFE](#) [49331L](#) [50208L](#)
[L203091MS02Q](#) [4-1437581-7](#) [X2225CR-437W](#) [49329L](#) [1101M1S3ZB8E2](#) [1-1437581-1](#) [MSS2225G04](#) [TG39W000000](#) [1825075-1](#)
[MSS42G](#) [TG36WS80065](#) [T105S1CWZBE](#) [SLB124145](#) [SLB1280R5](#) [SLB1340R45](#) [25136NLDB](#)