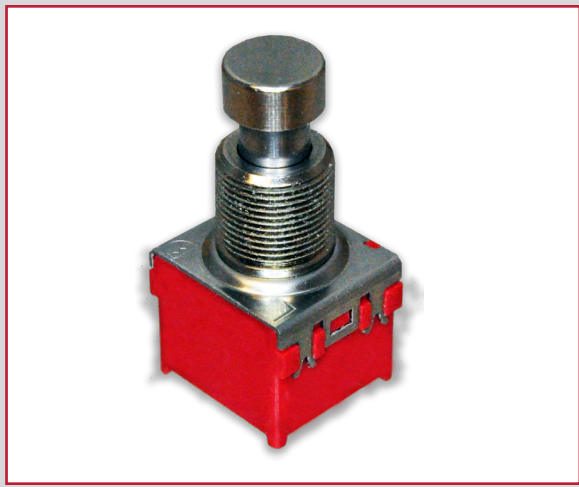


FS5700 SERIES PUSHBUTTON SWITCH

ANTI-VANDAL SWITCHES
DETECTOR SWITCHES
DIP SWITCHES
KEYLOCK SWITCHES
NAVIGATION SWITCHES
PUSHBUTTON SWITCHES
ROCKER SWITCHES
ROTARY SWITCHES
SLIDE SWITCHES
SNAP ACTION SWITCHES
TACTILE SWITCHES
TOGGLE SWITCHES
CAP OPTIONS



APPLICATIONS / MARKETS



Gaming: Flight Simulation



Home Appliances



Floor Care Appliances



Industrial Controls



Medical / Dental



Foot Switch

RoHS

SPECIFICATIONS

Contact Rating: 1A @ 9VDC
Electrical Life: 30,000 Cycles
Contact Resistance: 50mΩ Initial
Insulation Resistance: 100MΩ @ 500VDC
Dielectric Strength: 1000V RMS
Operating Temperature: -10°C to 70°C
Storage Temperature: -10°C to 70°C
Full Travel: SP & DP: 2.7mm; 3P: 5.0mm
Contact Arrangement: SPDT, DPDT or 3PDT
Actuation Force: Single pole momentary: 1700gf
 Single pole alternate action: 1000gf
 Double pole momentary: 2500gf
 Double pole alternate action: 1600gf
 3 pole alternate action: 3000gf
Panel Thickness: 8mm Max.

FEATURES & BENEFITS

- SPDT, DPDT or 3PDT
- Momentary or alternate action functions
- High actuation force
- PCB mount or panel mount option

PART NUMBER CONFIGURATOR

Series	Circuit	Function	Actuator	Bushing	Terminal	Contact Material	Sealing	Hardware
FS5700	SP - Single Pole DP - Double Pole 3P* - 3 Pole	L - Alternate Action M - Momentary	T2 - 10mm dia.	B2 - 11.5 high	M1 - Solder Lug M2 - PCB Pins	Q - Silver	E - Epoxy	H** - Hardware

*3P only available in "L" function
 **Hardware only provided with "M1" termination

Specifications subject to change without notice 4.2.2018



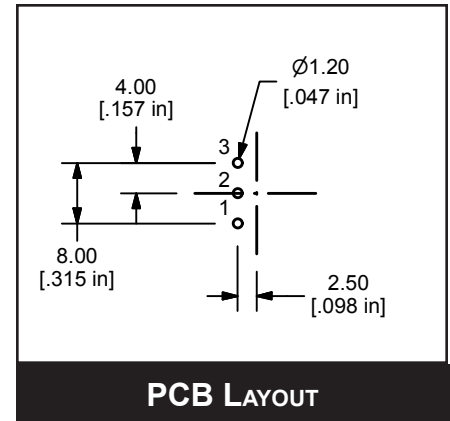
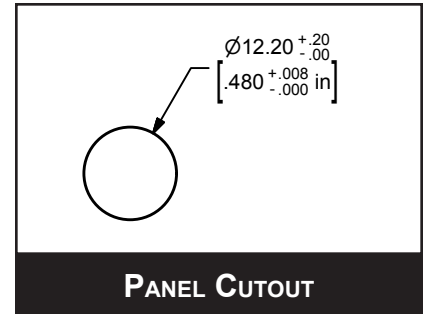
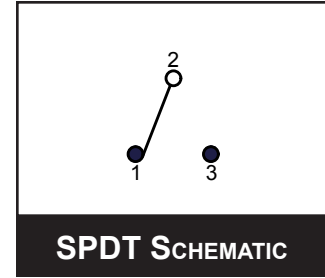
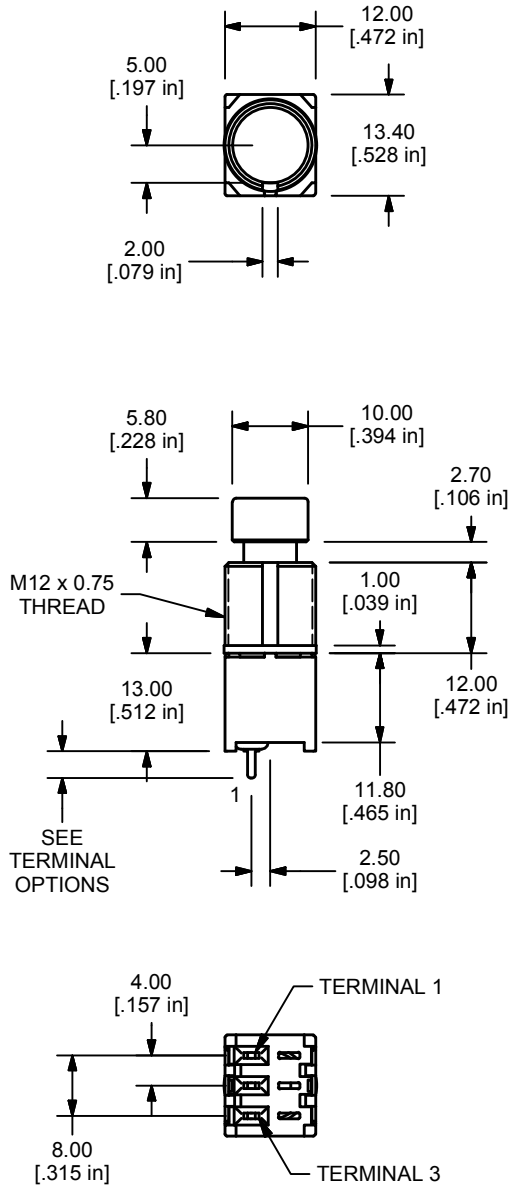
E-SWITCH®

www.e-switch.com

800.867.2717

FS5700 SERIES PUSHBUTTON SWITCH

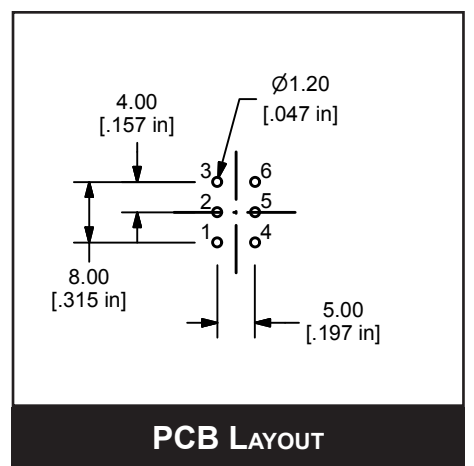
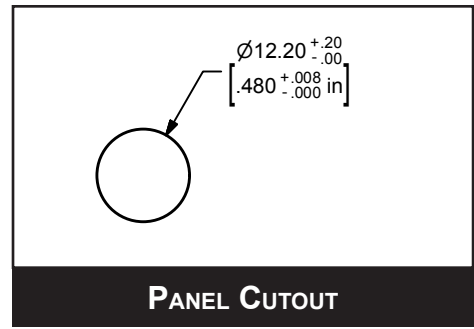
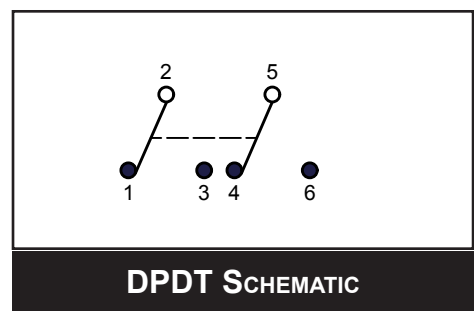
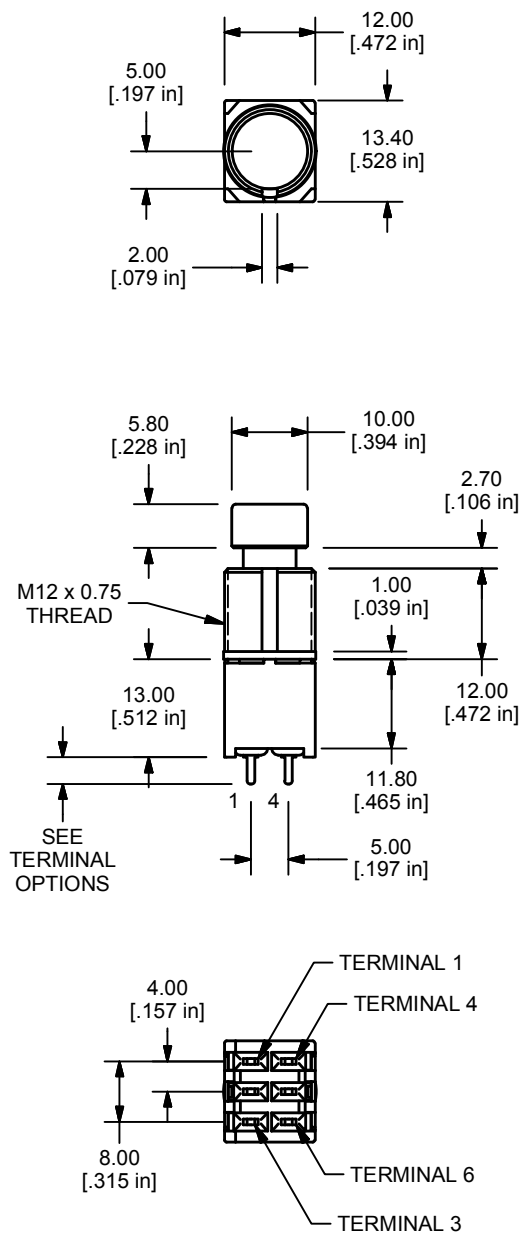
SINGLE POLE



FS5700 SERIES PUSHBUTTON SWITCH

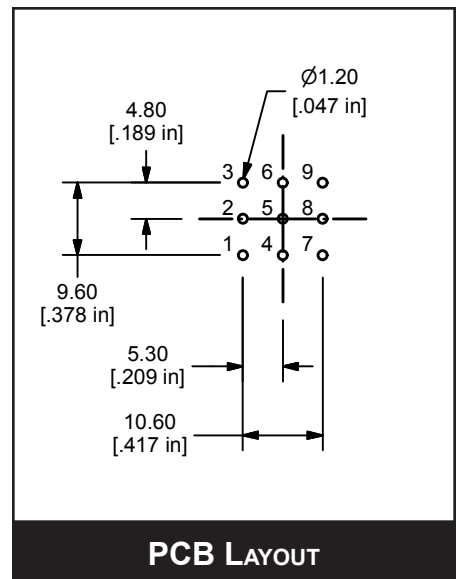
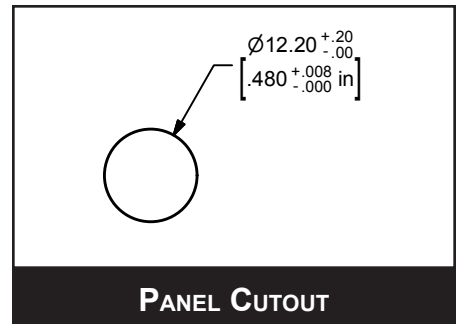
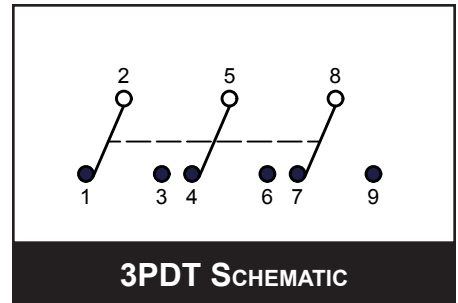
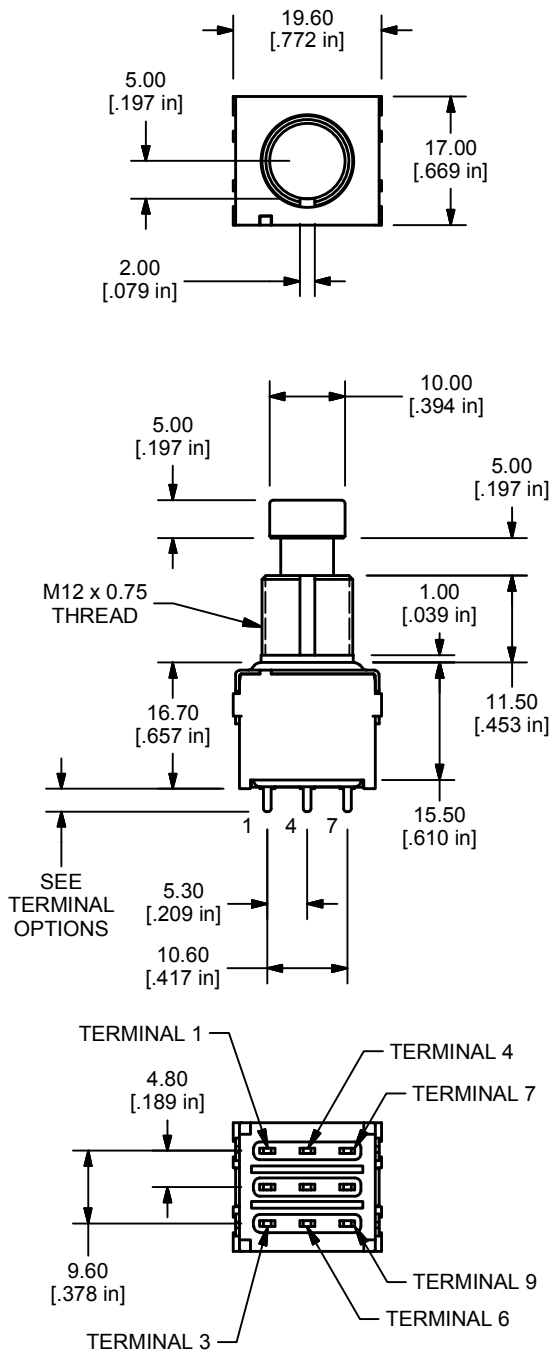
DOUBLE POLE

- ANTI-VANDAL SWITCHES
- DETECTOR SWITCHES
- DIP SWITCHES
- KEYLOCK SWITCHES
- NAVIGATION SWITCHES
- PUSHBUTTON SWITCHES**
- ROCKER SWITCHES
- ROTARY SWITCHES
- SLIDE SWITCHES
- SNAP ACTION SWITCHES
- TACTILE SWITCHES
- TOGGLE SWITCHES
- CAP OPTIONS



FS5700 SERIES PUSHBUTTON SWITCH

TRIPLE POLE

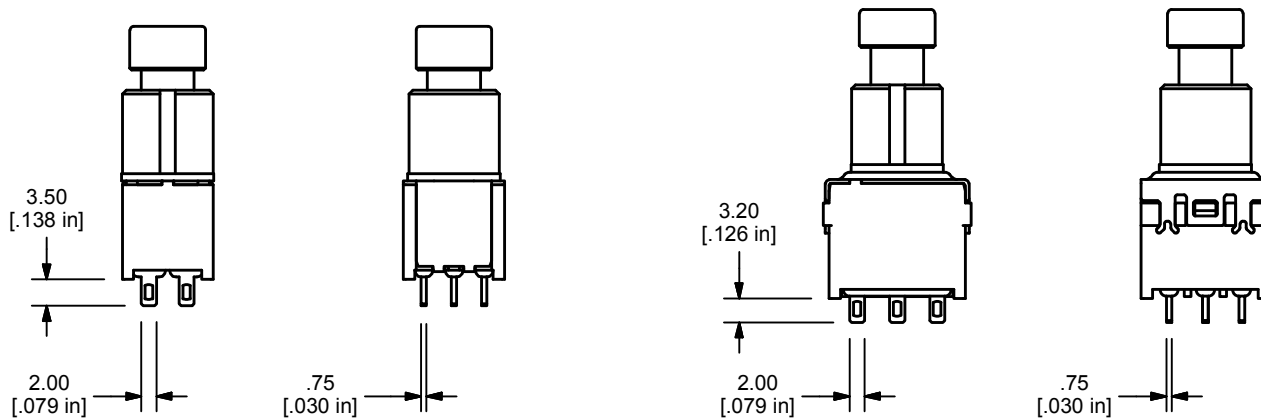


ANTI-VANDAL SWITCHES
 DETECTOR SWITCHES
 DIP SWITCHES
 KEYLOCK SWITCHES
 NAVIGATION SWITCHES
PUSHBUTTON SWITCHES
 ROTARY SWITCHES
 ROTARY SWITCHES
 SLIDE SWITCHES
 SNAP ACTION SWITCHES
 TACTILE SWITCHES
 TOGGLE SWITCHES
 CAP OPTIONS

FS5700 SERIES PUSHBUTTON SWITCH

TERMINATION OPTIONS

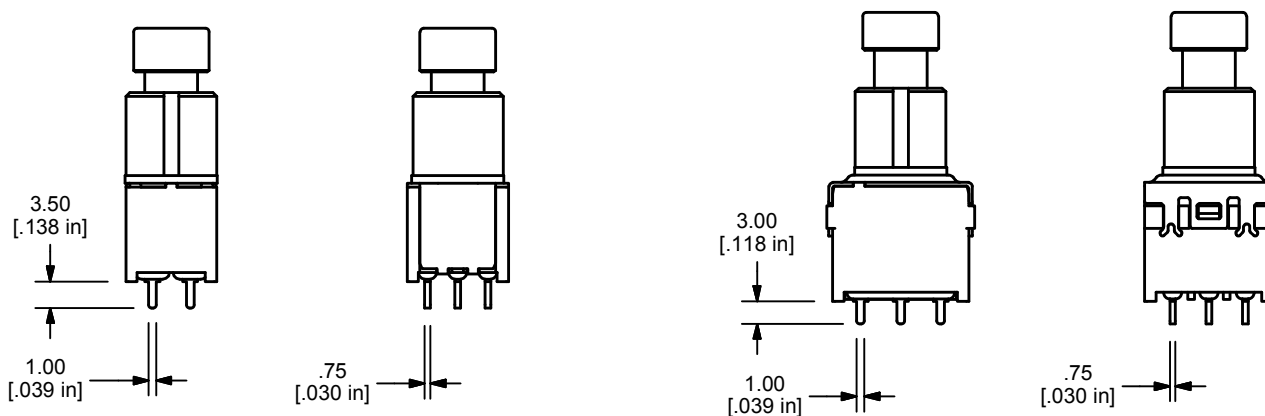
M1 TERMINATION



M1 TERMINAL FOR 1P OR 2P SWITCH SHOWN

M1 TERMINAL FOR 3P SWITCH

M2 TERMINATION



M2 TERMINAL FOR 1P OR 2P SWITCH SHOWN

M2 TERMINAL FOR 3P SWITCH



X-ON Electronics

Largest Supplier of Electrical and Electronic Components

Click to view similar products for [Control Switches](#) category:

Click to view products by [E-Switch](#) manufacturer:

Other Similar products are found below :

[80887-99](#) [80932-99](#) [86855-00](#) [88814-30](#) [1424293-1](#) [HW4S-2TC10](#) [89721-12](#) [89804-08](#) [SSN](#) [RL01801](#) [ASD2L20N-LVO](#) [50051857-17](#)
[50099156-001-05](#) [51.155R-15200](#) [50058920-26](#) [CP-FA51](#) [CP-FA49](#) [ACCU-SC/L-3000](#) [PP9M](#) [PP87G](#) [PP86GA](#) [PP74G](#) [PP73M](#) [PP73G](#)
[PP71G](#) [PP70G](#) [PP6G](#) [PP62G](#) [PP58BL](#) [PP56G](#) [PP86GB](#) [PP77GA](#) [PP76G](#) [PP4M](#) [PP47G](#) [PP46G](#) [PP41M](#) [PP40G](#) [PP32G](#) [RD-20](#) [PP14M](#)
[PP12G](#) [RD-40](#) [PORTAPRO](#) [PNB-2005](#) [PN-5050/38D](#) [3057.0012](#) [CV-140SB](#) [CV-150](#) [CV-150S](#)