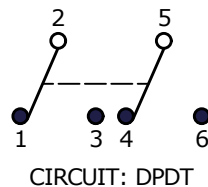


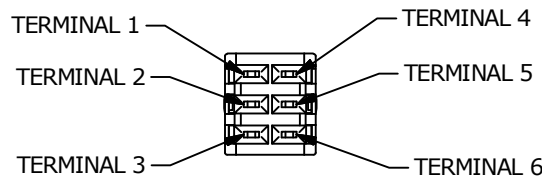
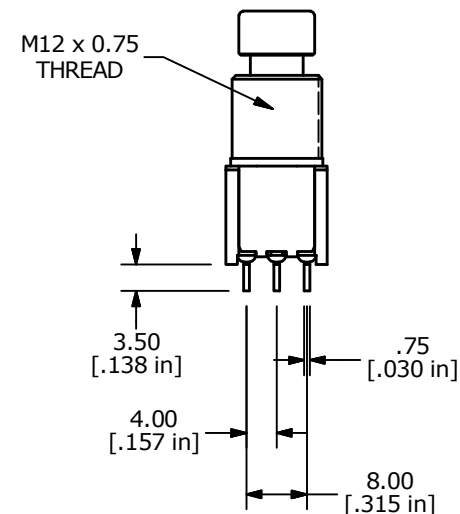
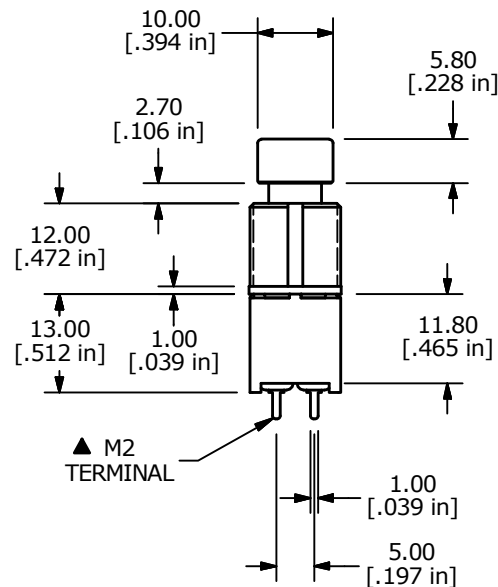
SWITCH FUNCTION	
POS. 1	POS. 2
ON	(ON)
1-2; 4-5	2-3; 5-6



() DENOTES MOMENTARY FUNCTION

NOTE:

1. ALL DIMENSIONS IN MM [INCH]
2. GENERAL TOLERANCE: X.X = ±0.4
X.XX = ±0.25
3. TERMINAL NUMBERS FOR REF ONLY
4. CONTACT MATERIAL: SILVER
5. RATING: 1A @ 9 VDC
6. ELECTRIC LIFE: 20,000 CYCLES
7. INSULATION RESISTANCE: 100 MEGA-OHM MIN @ 500VDC.
8. ACUATION FORCE: 2500 ± 800gf
9. TRAVEL: 2.7mm
10. CONTACT RESISTANCE: 50 MILLI-OHM MAX. INITIAL
11. DIELECTRIC STRENGTH: 500 V RMS @ SEA LEVEL.
12. OPERATING TEMP.: -10°C to 70°C
13. ▲ DENOTES CRITICAL PARAMETER.
14. 2011/65/EU (ROHS) COMPLIANT.



B	23409	correct PCB layout	6/14/18	MW
A	22609	New Release	1/5/17	rc
REV	PCR NO	DESCRIPTION	DATE	BY

TITLE FS5700DPMT2B2M2QE				
SCALE 1:1	DATE 11/18/2016	DR rc	DWG T790011	REV B

THE INFORMATION CONTAINED IN THIS DOCUMENT IS PROPRIETARY TO E-SWITCH AND IS NOT TO BE COPIED OR TRANSFERRED

X-ON Electronics

Largest Supplier of Electrical and Electronic Components

Click to view similar products for [Control Switches](#) category:

Click to view products by [E-Switch](#) manufacturer:

Other Similar products are found below :

[80887-99](#) [80932-99](#) [86855-00](#) [88814-30](#) [1424293-1](#) [HW4S-2TC10](#) [89721-12](#) [89804-08](#) [SSN](#) [RL01801](#) [ASD2L20N-LVO](#) [50051857-17](#)
[50099156-001-05](#) [51.155R-15200](#) [50058920-26](#) [CP-FA51](#) [CP-FA49](#) [ACCU-SC/L-3000](#) [PP9M](#) [PP87G](#) [PP86GA](#) [PP74G](#) [PP73M](#) [PP73G](#)
[PP71G](#) [PP70G](#) [PP6G](#) [PP62G](#) [PP58BL](#) [PP56G](#) [PP86GB](#) [PP77GA](#) [PP76G](#) [PP4M](#) [PP47G](#) [PP46G](#) [PP41M](#) [PP40G](#) [PP32G](#) [RD-20](#) [PP14M](#)
[PP12G](#) [RD-40](#) [PORTAPRO](#) [PNB-2005](#) [PN-5050/38D](#) [3057.0012](#) [CV-140SB](#) [CV-150](#) [CV-150S](#)