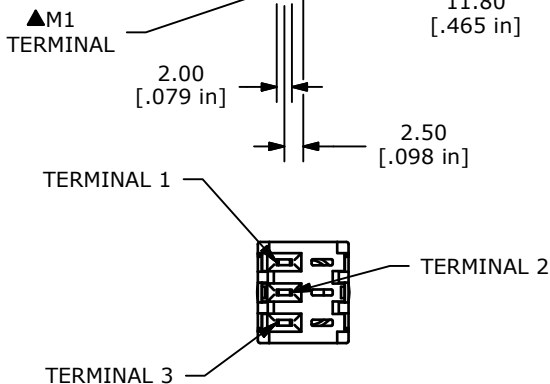
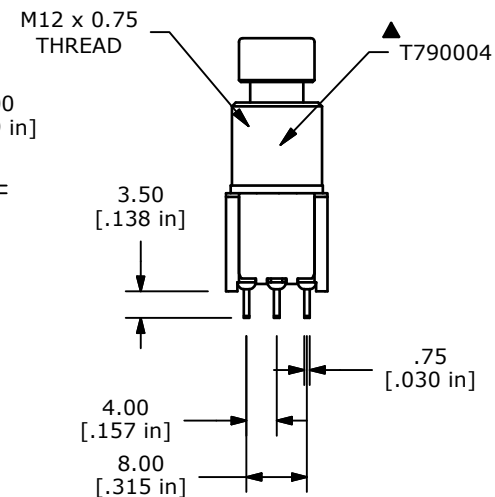
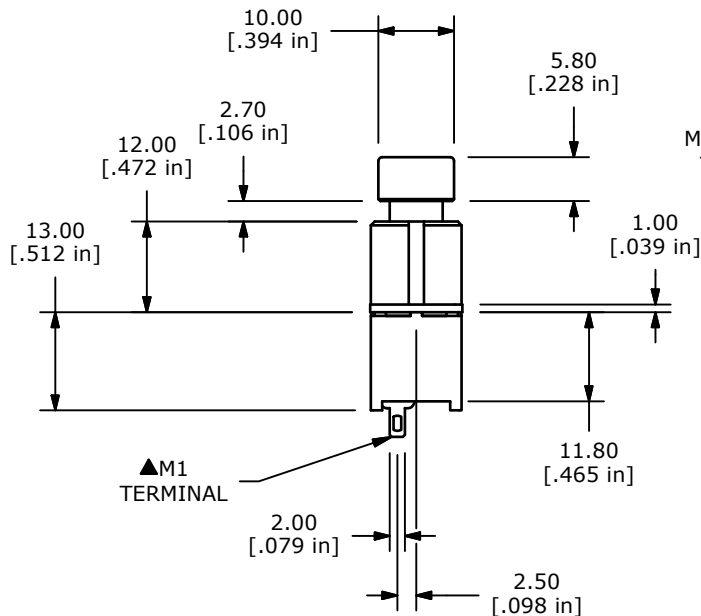
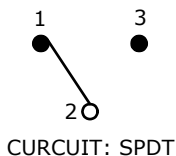


| SWITCH FUNCTION | |
|-----------------|--------|
| POS. 1 | POS. 2 |
| | |
| ON | ON |
| 1-2 | 2-3 |



NOTE:

1. ALL DIMENSIONS IN MM [INCH]
2. GENERAL TOLERANCE: X.X=±0.4
X.XX=±0.25
3. TERMINAL NUMBERS FOR REF ONLY
4. CONTACT MATERIAL: SILVER
5. RATING: 1A @ 9 VDC
6. ELECTRIC LIFE: 10,000 CYCLES
7. INSULATION RESISTANCE: 100 MEGA-OHM MIN @ 500VDC.
8. ACUATION FORCE: 1000 ± 700gf
9. TRAVEL: 2.7mm
10. CONTACT RESISTANCE: 50 MILLI-OHM MAX. INITIAL
11. DIELECTRIC STRENGTH: 500 V RMS @ SEA LEVEL.
12. OPERATING TEMP.: -10°C to 70°C
13. ▲DENOTES CRITICAL PARAMETER.
14. 2011/65/EC (ROHS) COMPLIANT.
15. HARDWARE TO BE SHIPPED BULK:
T081101 - LOCK WASHER, QTY 1
T100025 - WASHER, QTY 1
T081102 - HEX NUT, QTY 2



TITLE FS5700SPLT2B2M1QE

| | | | | |
|-----|--------|-------------|---------|----|
| A | 22675 | New Release | 1/16/17 | rc |
| REV | PCR NO | DESCRIPTION | DATE | BY |

| | | | | |
|-------|-----------|----|----------|-----|
| SCALE | DATE | DR | DWG | REV |
| 1:1 | 1/16/2017 | rc | ST790004 | A |

THE INFORMATION CONTAINED IN THIS DOCUMENT IS PROPRIETARY TO E-SWITCH AND IS NOT TO BE COPIED OR TRANSFERRED

X-ON Electronics

Largest Supplier of Electrical and Electronic Components

Click to view similar products for [Control Switches](#) category:

Click to view products by [E-Switch](#) manufacturer:

Other Similar products are found below :

[80887-99](#) [80932-99](#) [86855-00](#) [88814-30](#) [1424293-1](#) [HW4S-2TC10](#) [89721-12](#) [89804-08](#) [SSN](#) [RL01801](#) [ASD2L20N-LVO](#) [50051857-17](#)
[50099156-001-05](#) [51.155R-15200](#) [50058920-26](#) [CP-FA51](#) [CP-FA49](#) [ACCU-SC/L-3000](#) [PP9M](#) [PP87G](#) [PP86GA](#) [PP74G](#) [PP73M](#) [PP73G](#)
[PP71G](#) [PP70G](#) [PP6G](#) [PP62G](#) [PP58BL](#) [PP56G](#) [PP86GB](#) [PP77GA](#) [PP76G](#) [PP4M](#) [PP47G](#) [PP46G](#) [PP41M](#) [PP40G](#) [PP32G](#) [RD-20](#) [PP14M](#)
[PP12G](#) [RD-40](#) [PORTAPRO](#) [PNB-2005](#) [PN-5050/38D](#) [3057.0012](#) [CV-140SB](#) [CV-150](#) [CV-150S](#)