

SERIES KC SWITCHES

ROTARY SWITCHES

TACT SWITCHES

NAVIGATION SWITCHES

PUSHBUTTON SWITCHES

TOGGLE SWITCHES

ROCKER SWITCHES

SLIDE SWITCHES

SNAP-ACTION SWITCHES

DIP SWITCHES

KEYLOCK SWITCHES

ROTARY SWITCHES

DETECTOR SWITCHES

CAP OPTIONS



FEATURES & BENEFITS

- ▶ 1 to 4 poles
- ▶ 1 to 12 positions
- ▶ No stop option

APPLICATIONS/MARKETS

- ▶ Industrial controls
- ▶ Test & instrumentation
- ▶ Appliance
- ▶ HVAC

SPECIFICATIONS

| | |
|------------------------|-------------------------------|
| Ratings: | 350 mA @ 125 VAC |
| | 150 mA @ 250 VAC |
| Life Expectancy: | 10,000 cycles typical |
| Contact Resistance: | 25mΩ initial @ 2-4 VDC, 100mA |
| Dielectric Strength: | 1,500 max V rms at sea level |
| Insulation Resistance: | 100MΩ min. |
| Operating Force: | 8.6 N/cm |

MATERIALS

| | |
|-----------------------|--|
| Housing, Base, Shaft: | Glass filled nylon |
| Contact: | Silver plated copper alloy Gold flash over silver plate |
| Hardware: | Nut-Zinc, nickel plated Lockwasher-Steel, zinc plated Stop ring-Brass, nickel plated |



HOW TO ORDER

| SERIES | MODEL NO. | ACTUATOR | ACTUATOR LENGTH | BUSHING | TIMING | TERMINATION | CONTACT MATERIAL |
|--------|-------------------------|--------------------------------|---------------------------|-----------|---------------------------|--------------------------|------------------|
| KC | See Model Options Table | A=Flat B=Round D=Slotted | See Actuator Option Chart | 01 02* | N=Non-Short S=Shorting | P=PC Pin L=Solder Lug | S F |



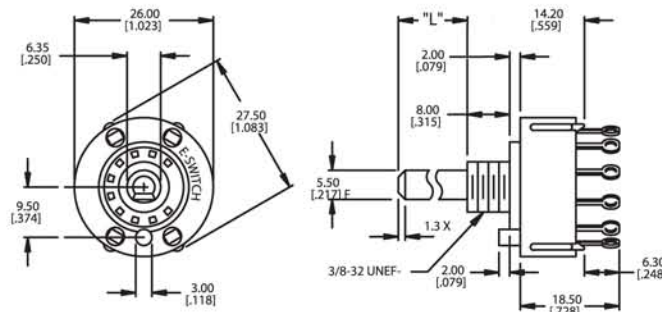
Example Ordering Number
KC-13-B-7.0-02-N-L-S

* Not available with #10 model.

Specifications subject to change without notice.

KC

GENERAL INFORMATION



MODEL NUMBER OPTIONS

| (SP Models) | | |
|-------------|-------------------|----------------|
| Model | Sw. Func. | Terms |
| 10 | 12-pos.-No stops | A, 1-12 |
| 11 | ST | A, 2* |
| 12 | DT | A, 1,2* |
| 13 | 3 pos. | A, 1-3* |
| 14 | 4 pos. | A, 1-4* |
| 15 | 5 pos. | A, 1-5* |
| 16 | 6 pos. | A, 1-6* |
| 17 | 7 pos. | A, 1-7 |
| 18 | 8 pos. | A, 1-8 |
| 19 | 9 pos. | A, 1-9 |
| 50 | 10 pos. | A, 1-10 |
| 51 | 11 pos. | A, 1-11 |
| 52 | 12 pos. | A, 1-12 |
| 53 | 2 pos. -60° index | A, 1,3* |
| 54 | 2 pos. -90° index | A, 1,4* |
| 55 | 3 pos. -60° index | A, 1,3,5* |
| 56 | 3 pos. -90° index | A, 1,4,7 |
| 57 | 4 pos. -60° index | A,1,3,5,7 |
| 58 | 4 pos. -90° index | A,1,4,7,10** |
| 59 | 5 pos. -60° index | A,1,3,5,7,9 |
| 60 | 6 pos. -60° index | A,1,3,5,7,9,11 |

| (DP Models) | | |
|-------------|------------------|------------------|
| Model | Sw. Func. | Terms |
| 20 | 6-pos.-No stops | A,C,1-12 |
| 21 | ST | A, C,2,8 |
| 22 | DT | A,C,1,2,7,8 |
| 23 | 3 pos. | A,C 1-3, 7-9 |
| 24 | 4 pos. | A,C,1-4,7-10 |
| 25 | 5 pos. | A,C,1-5, 7-11 |
| 26 | 6 pos. | A,C,1-12 |
| 70 | 2 pos. 60° index | A,C,1,3,7,9 |
| 71 | 2 pos. 90° index | A,C,1,4,7,10 |
| 72 | 2 pos. 60° index | A,C,1,3,5,7,9,11 |

* Note: Switches with P terminations (PC pins) have additional terminal no. 9 as switch support only. This terminal is not connected electrically inside switch.

** Note: Standard with stops

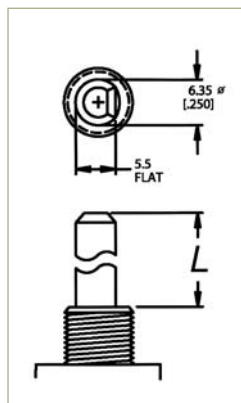
All models 30° indexing unless otherwise noted.

| (3P Models) | | |
|-------------|------------------|--------------------|
| Model | Sw. Func. | Terms |
| 30 | 4-pos.-No stops | A,B,C,1-12 |
| 31 | ST | A,B,C,2,6,10 |
| 32 | DT | A,B,C,1,2,5,6,9,10 |
| 33 | 3 pos. | A,B,C,1-3,5-7,9-11 |
| 34 | 4 pos. | A,B,C,1-12 |
| 80 | 2 pos. 60° index | A,B,C,1,3,5,7,9,11 |
| 81 | 2 pos. 90° index | A,B,C,1,4,5,8,9,12 |

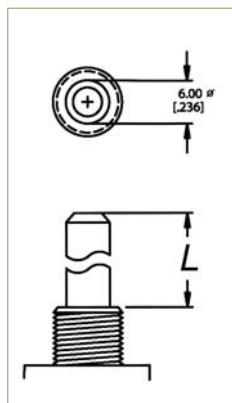
| (4P Models) | | |
|-------------|------------------|---------------------------|
| Model | Sw. Func. | Terms |
| 40 | 3-pos.-No stops | all terms |
| 41 | ST | A,B,C,D,2,5,8,11 |
| 42 | DT | A,B,C,D,1,2,4,5,7,8,10,11 |
| 43 | 3 pos. | all terms |
| 91 | 2 pos. 60° index | A,B,C,D,1,3,4,6,7,9,10,12 |

ACTUATOR OPTIONS

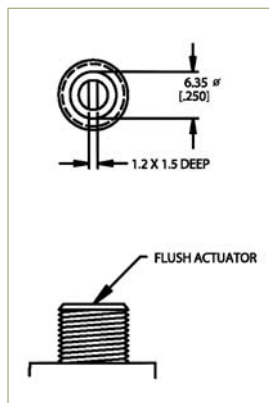
A FLAT



B ROUND



D SLOTTED

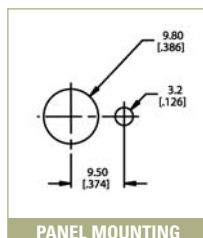
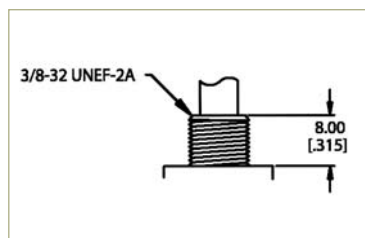


| Actuator | Available Actuator Lengths (mm) | | | | | |
|----------|---------------------------------|------|-----|-----|------|------|
| A | 30.0 | 38.0 | 9.5 | 7.0 | 10.0 | 13.0 |
| B | 30.0 | 10.0 | 7.0 | | | |
| D | 0.0 | | | | | |

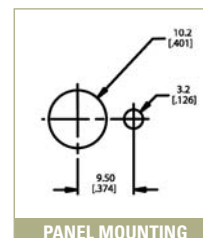
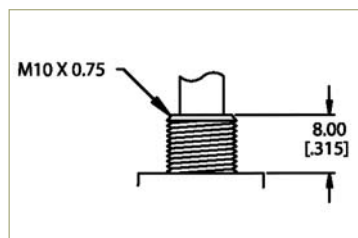
*All actuators shown in Pos. 1, fully CCW.

BUSHING OPTIONS

01 STANDARD



02 METRIC

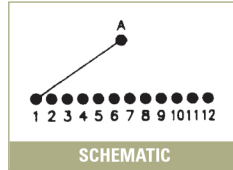
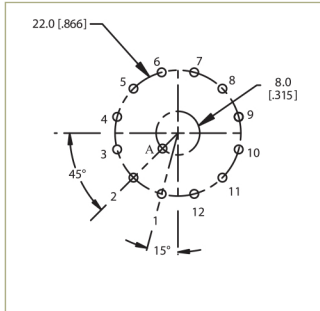


SERIES KC SWITCHES

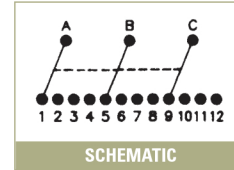
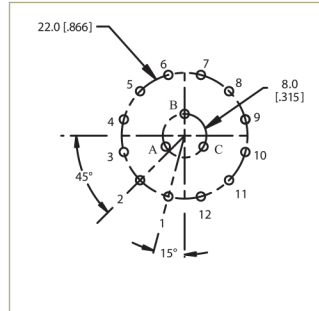
ROTARY SWITCHES

SCHEMATICS AND PC MOUNTING

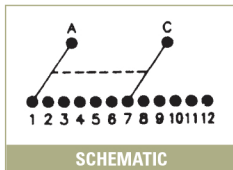
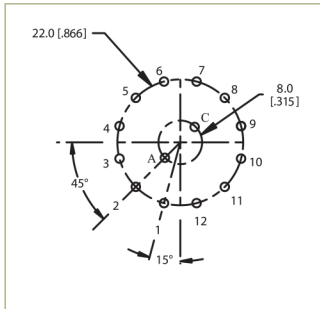
SP 1 POLE, 12 POSITIONS



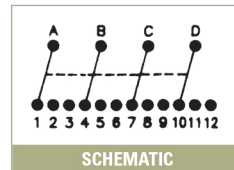
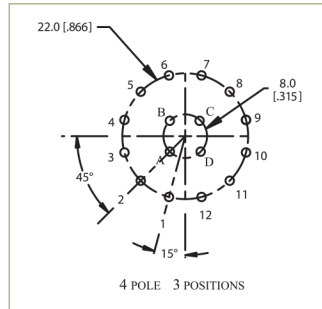
3P 3 POLE, 4 POSITIONS



DP 2 POLE, 6 POSITIONS



4P 4 POLE, 3 POSITIONS



TIMING OPTIONS

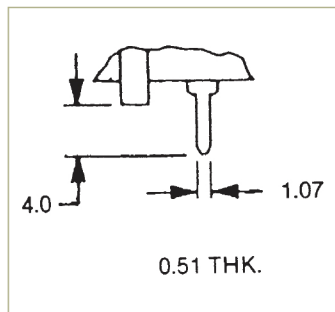
N = (STD.) Non-shorting – break before make

S = Shorting – make before break

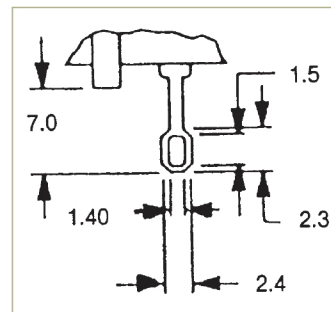
Note: (S) shorting contacts available only with 30° indexing

TERMINATION OPTIONS

P PC PIN



L SOLDER LUG



CONTACT MATERIAL OPTIONS

S = Standard Silver over copper alloy

F = Gold Flash over silver plate over copper alloy

TACT
SWITCHES

NAVIGATION
SWITCHES

PUSHBUTTON
SWITCHES

TOGGLE
SWITCHES

ROCKER
SWITCHES

SLIDE
SWITCHES

SNAP-ACTION
SWITCHES

DIP
SWITCHES

KEYLOCK
SWITCHES

ROTARY
SWITCHES

DETECTOR
SWITCHES

CAP
OPTIONS

X-ON Electronics

Largest Supplier of Electrical and Electronic Components

Click to view similar products for [Switch Fixings](#) category:

Click to view products by [E-Switch](#) manufacturer:

Other Similar products are found below :

[893102000](#) [00-5150](#) [LZZ1A](#) [0098.9234](#) [M2PA-5011](#) [630155](#) [635401](#) [6PA113](#) [6PA147-E6](#) [6PA148-E6](#) [6PA32](#) [6PA9](#) [700106](#) [700109](#)
[700303A56](#) [700C1GRY](#) [700C2GRN](#) [704-6001](#) [704.960.9](#) [704.965.2](#) [704.965.6](#) [704.966.0](#) [7089-3](#) [710082-B11](#) [71M1048](#) [757200264](#)
[764300000](#) [MHU35](#) [MHU37](#) [807039-1](#) [825.003.011](#) [825.005.011](#) [825.053.011](#) [825.055.011](#) [826.000.071](#) [827.020.011](#) [827.400.021](#)
[835.900.023](#) [MML52C10C](#) [MML52E10C](#) [MML92HGH](#) [MML93K](#) [84211M02CNNS](#) [84212M02CNNS](#) [84217A8.0LNOS](#) [842.500.011](#)
[843.000.011](#) [843187-000](#) [843487-000](#) [84-901](#)