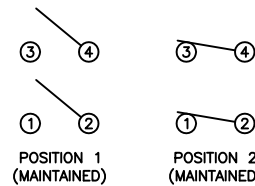


SCHEMATIC



SPECIFICATIONS

FUNCTION:
2P1T OFF-ON with Actuator Lock

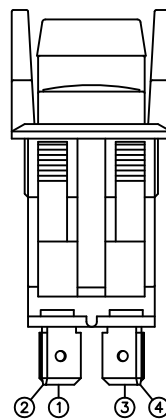
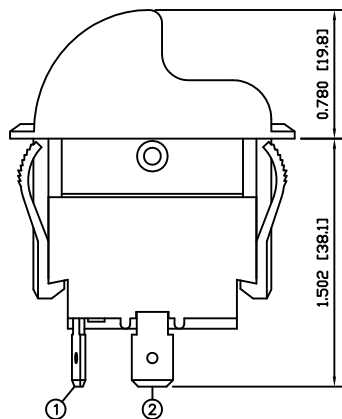
RATINGS:
ANSI/UL 1054 and CAN/CSA C22.2 No. 55 (E194579):
20A 125VAC [cURus]
12A 250VAC [cURus]

ELECTRICAL LIFE:
6,000 Cycles [cURus]

TEMPERATURE:
Operating: -20°C to 65°C [cURus]



POSITION 1 POSITION 2



MATERIALS

UPPER BODY:
Polyamide 6/6 (PA66)

LOWER BODY:
Phenolic

ACTUATOR:
Polyamide 6/6 (PA66)

ACTUATOR LOCK:
Polyamide 6/6 (PA66)

CONTACTS:
Silver Plated Copper

TERMINALS:
Brass

COLORS AND MARKINGS

UPPER BODY:
Black

LOWER BODY:
Black

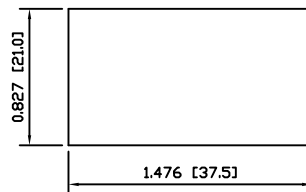
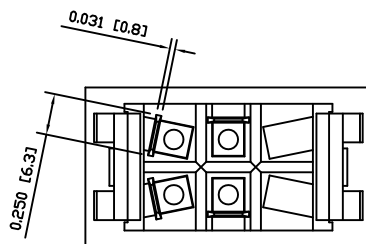
ACTUATOR:
Red

ACTUATOR LOCK:
Yellow

MARKINGS:
ON/OFF

MARKING COLOR:
White

SUGGESTED PANEL CUTOUT



HY7-42D-196

THE INFORMATION CONTAINED IN THIS DOCUMENT IS PROPRIETARY TO E-SWITCH AND IS NOT TO BE COPIED OR TRANSFERRED

| | | | | |
|------|-----------------|----------|----------|----------|
| A | INITIAL RELEASE | PCRD019S | 09/11/05 | CAB |
| REV. | DESCRIPTION | PCR | DATE | DRAWN BY |

| | | | |
|----------------------|------------|----------------------|-------------------|
| DIMENSIONS | | INCHES [MILLIMETERS] | |
| GENERAL TOLERANCES | | ±0.008 [±0.2] / ±1' | |
| SCALE | PROJECTION | DRAWING NUMBER | DATE |
| DRAWING NOT TO SCALE | 1st Angle | 34-HY742D196 | NOVEMBER 05, 2009 |
| | | REVISION | A |

X-ON Electronics

Largest Supplier of Electrical and Electronic Components

Click to view similar products for [Rocker Switches](#) category:

Click to view products by [E-Switch](#) manufacturer:

Other Similar products are found below :

[LTI LA6E-1S-WH-RC-FN12VXCR1](#) [6-1571986-9](#) [8007K26N324V52](#) [8055K32Z7V](#) [8055K52Z7V](#) [8138K20E6M50](#) [84206L](#) [84312LX](#)
[PREDD5-07F-BB0GW](#) [999-16716-002](#) [999-16716-003](#) [999-16716-004](#) [A101J1V3Q004](#) [A101J2ZQ004](#) [A101J4ZQ004](#) [A101J51CB0004](#)
[A103J1ZQ004](#) [A201J1AQ004](#) [A201J3ZB004](#) [A201J50ZQ004](#) [A203J51ZQ0004](#) [A435S1YZQ](#) [H8500XBBBBL-A](#) [H8653VBBG2577W](#)
[HB130CHNWWNAAC](#) [R13112ABB-602W](#) [1251.0303](#) [AE205J60V3B004](#) [1352.0107](#) [1500G51E](#) [1571099-3](#) [1571987-4](#) [1571987-5](#)
[1571989-7](#) [1571988-5](#) [B123J77V7B2](#) [B226J50W4Q22P](#) [B433J37ZQ22M](#) [160212E](#) [1634200-7](#) [1801.1164](#) [1839.1502](#) [PANEL-PLUG-VHP-](#)
[BLACK](#) [PANEL-PLUG-VHP-WT](#) [K1ABBSCADN](#) [K2ABAAAAAA](#) [KG312A2DXD246X](#) [250011E714](#) [2600HM11E](#) [2600R21E](#)