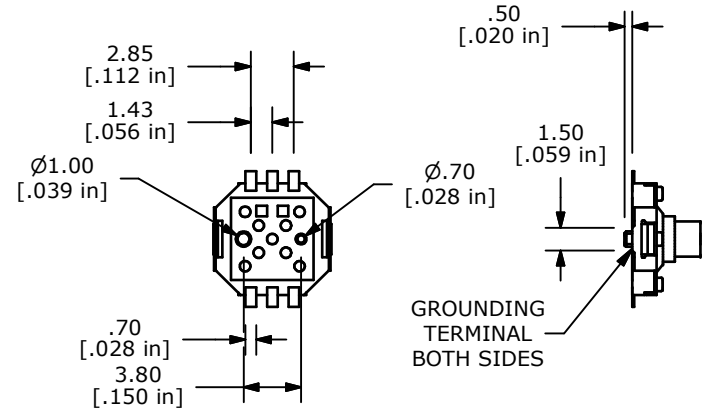
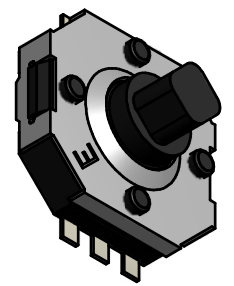
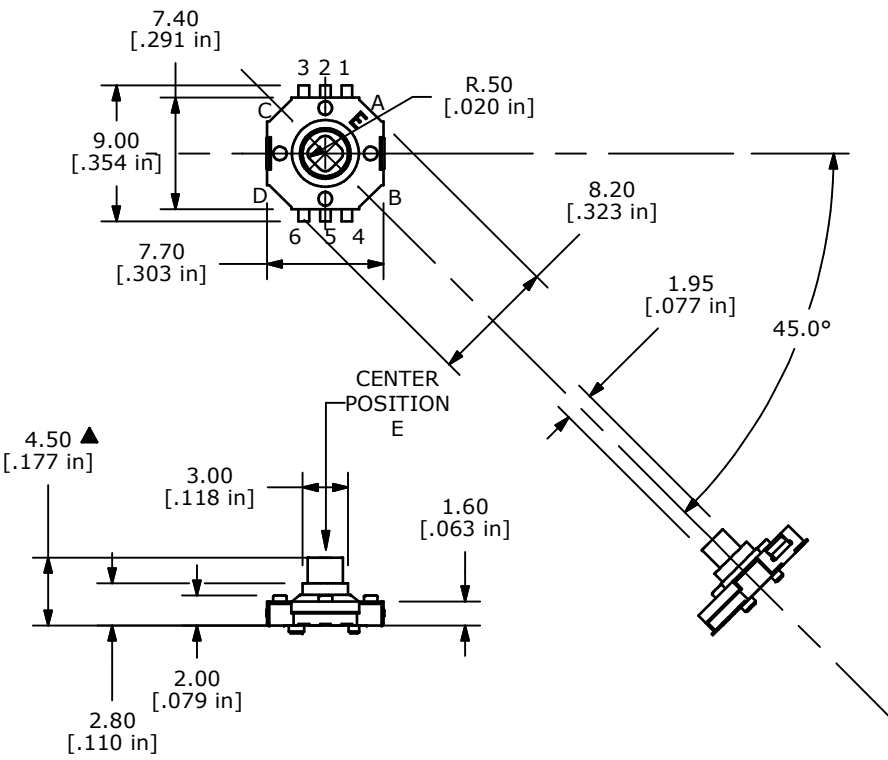



OPERATING POSITION	CIRCUIT
A	⑤-①
B	⑤-④
C	⑤-③
D	⑤-⑥
CENTER PUSH	⑤-②

- NOTES:
1. RATING: 12V DC 50mA MAX.
 2. CONTACT RESISTANCE: 100mΩ MAX.
 3. OPERATING FORCES:
 CENTER PUSH: 360 ± 60gf
 STROKE: 0.25 +0.1/-0.2 mm
 4-WAY DIRECTION: 160 ± 50gf
 TRAVEL: 5° +2.5°/-1°
 4. LIFE CYCLES: 100,000
 5. INSULATION RESISTANCE 100MΩ @ 100VDC
 6. DIELECTRIC STRENGTH: 250VAC FOR 1 MINUTE.
 7. OPERATING TEMPERATURE: -25°C TO +70°C
 8. STORAGE TEMPERATURE: -40°C TO +85°C
 9. GENERAL TOLERANCE: ± 0.3
 10. 2002/95/EC (ROHS) COMPLIANT
 11. ▲ DENOTES CRITICAL PARAMETER.



C	21146	CORRECT CIRCUIT TABLE	6/3/13	EBP
B	19637	DRAWING CLEAN-UP	02/01/11	BMA
A	18745	New-Release	12/3/09	rc
REV	PCR NO	DESCRIPTION	DATE	BY



E-SWITCH®

TITLE JS1400AFQ

SCALE 2=1	DATE 12/4/2009	DR rc	DWG N211125	REV C
-----------	----------------	-------	-------------	-------

THE INFORMATION CONTAINED IN THIS DOCUMENT IS PROPRIETARY TO E-SWITCH AND IS NOT TO BE COPIED OR TRANSFERRED

X-ON Electronics

Largest Supplier of Electrical and Electronic Components

Click to view similar products for [Multi-Directional Switches](#) category:

Click to view products by [E-Switch](#) manufacturer:

Other Similar products are found below :

[MJTP1109AL](#) [RA3CSH6A](#) [APTCFVTR](#) [SRBE210100](#) [T5-NH1118](#) [RKJXW1014002](#) [RKJXW2014001](#) [T4-TCN3332](#) [TSWA-3N-CUP2-LFS](#) [T2-0018](#) [T5-CK2212](#) [CS41001E](#) [RKJXK122000D](#) [RKJXK122400Y](#) [RKJXL100401V](#) [RKJXM2E13001](#) [RKJXM2E13004](#) [RKJXS1004001](#) [RKJXT1F42001](#) [RKJXV1224005](#) [RKJXY100000A](#) [SKRHAAE010](#) [SKRHABE010](#) [SKRHACE010](#) [SKRHADE010](#) [SLLB120100](#) [SLLB120200](#) [SLLB120300](#) [SLLB510100](#) [SLLB510200](#) [SLLB520100](#) [SRBE110301](#) [SRBE210200](#) [AMPTFP2VTR](#) [D16202](#) [PHAP4383V](#) [3302](#) [7G5002C0003](#) [QSA2S3.5NH3G7](#) [K1-1508SA-03](#) [PLJG2-G-V-T/R](#) [PLMG5-GH-V-T/R](#) [RKJXU1210006](#) [SKRHADE011](#) [2200-000301](#) [RKJXM1015004](#) [RKJXV1220001](#) [SLLB310300](#) [SLLB310500](#) [SLLB520200](#)