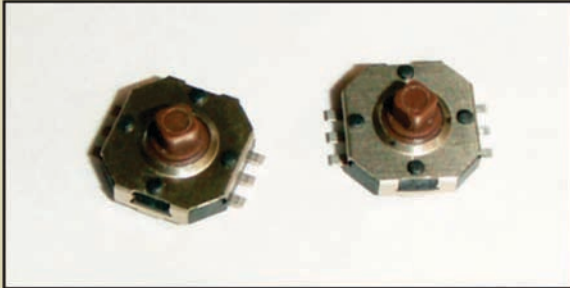


SERIES JS1400 SWITCHES



5-POSITION NAVIGATION SWITCH



MECHANICAL SPECIFICATIONS

Mechanical Life:	100,000 cycles
Force:	360 +/- 60 g center actuation; 160 +/- 50 g tilt actuation
Travel:	Tilt: 5° +2.5°/-1°; center direction: 0.25 +0.1/-0.2mm

ELECTRICAL SPECIFICATIONS

Contact Arrangement:	SP 5 positions, Normally Open
Contact Rating:	12VDC, 50mA
Contact Resistance:	100mΩ (initial max)
Insulation Resistance:	100MΩ (Min @ 500VDC)
Dielectric Strength:	250VAC

ENVIRONMENTAL SPECIFICATIONS

Operating Temperature:	-20°C to +70°C
Storage Temperature:	-40°C to +85°C

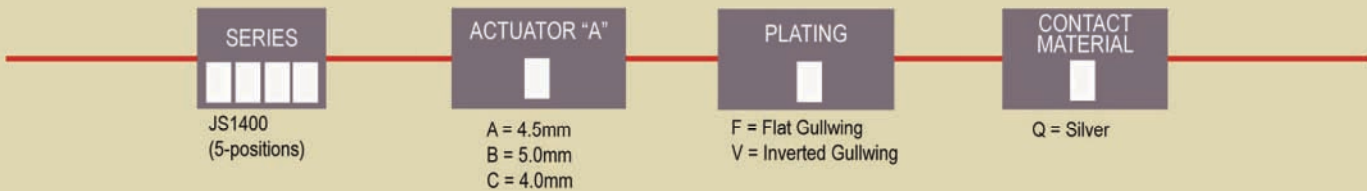
FEATURES & BENEFITS

5-position joystick switch
Designed for SMT applications
that require navigation

APPLICATIONS / MARKETS

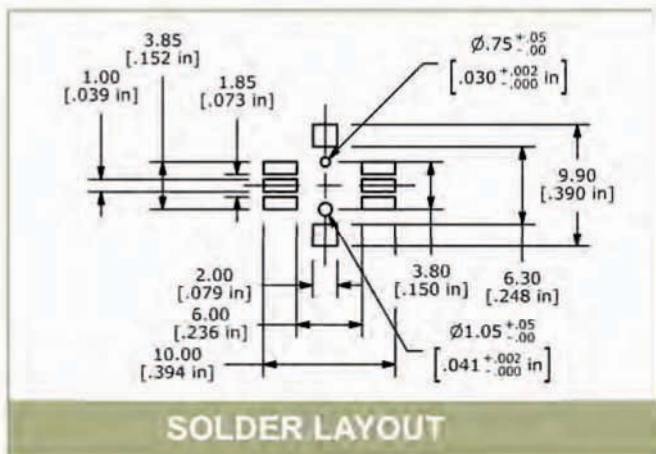
Handheld instrumentation
Navigation
Telecommunications
Consumer electronics where user
interface is needed

HOW TO ORDER:

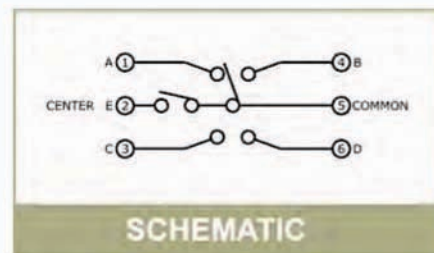


Tape and Reel packaging, 850 pieces per reel

Specifications subject to change without notice.



SOLDER LAYOUT



SCHEMATIC

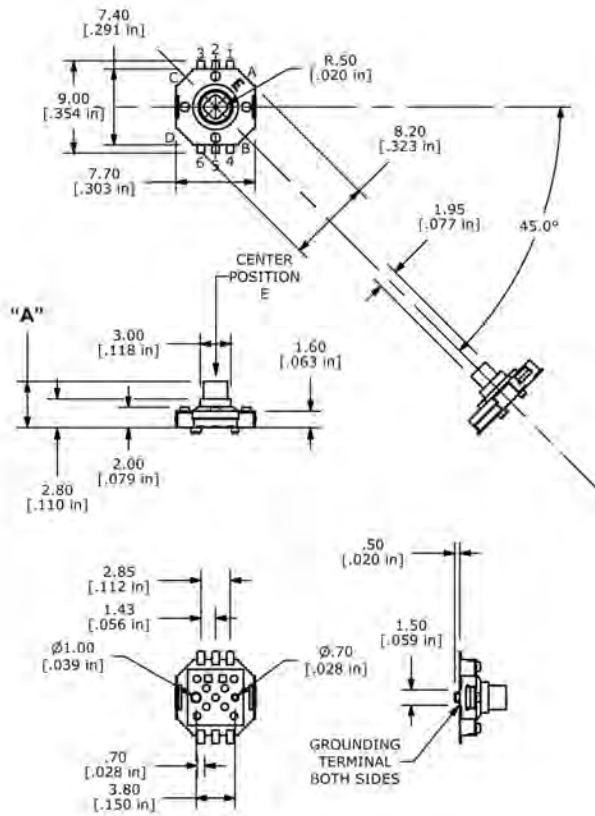
OPERATING POSITION	CIRCUIT
A	①-②
B	②-⑤
C	③-④
D	④-⑥
CENTER PUSH	⑤-⑥

POSITION

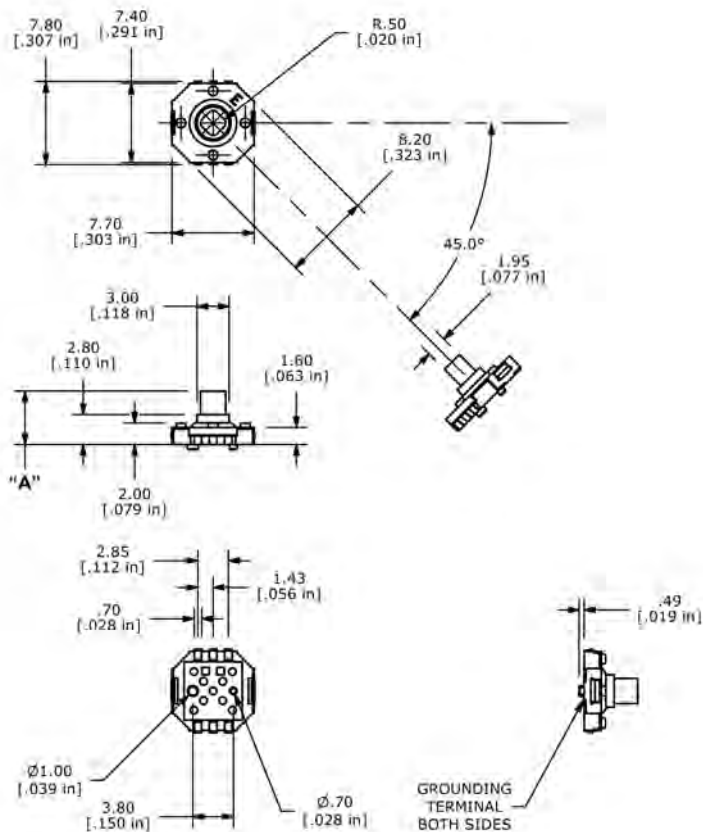
SERIES JS1400 SWITCHES



"F" Flat Gullwing Termination:



"V" Inverted Gullwing Termination:



X-ON Electronics

Largest Supplier of Electrical and Electronic Components

Click to view similar products for [Multi-Directional Switches](#) category:

Click to view products by [E-Switch](#) manufacturer:

Other Similar products are found below :

[MJTP1109AL](#) [RA3CSH6A](#) [APTCFVTR](#) [SRBE210100](#) [T5-NH1118](#) [RKJXW1014002](#) [RKJXW2014001](#) [T4-TCN3332](#) [TSWA-3N-CUP2-LFS](#) [T2-0018](#) [T5-CK2212](#) [CS41001E](#) [RKJXK122000D](#) [RKJXK122400Y](#) [RKJXL100401V](#) [RKJXM2E13001](#) [RKJXM2E13004](#) [RKJXS1004001](#) [RKJXT1F42001](#) [RKJXV1224005](#) [RKJXY100000A](#) [SKRHAAE010](#) [SKRHABE010](#) [SKRHACE010](#) [SKRHADE010](#) [SLLB120100](#) [SLLB120200](#) [SLLB120300](#) [SLLB510100](#) [SLLB510200](#) [SLLB520100](#) [SRBE110301](#) [SRBE210200](#) [AMPTFP2VTR](#) [D16202](#) [PHAP4383V](#) [3302](#) [7G5002C0003](#) [QSA2S3.5NH3G7](#) [K1-1508SA-03](#) [PLJG2-G-V-T/R](#) [PLMG5-GH-V-T/R](#) [RKJXU1210006](#) [SKRHADE011](#) [2200-000301](#) [RKJXM1015004](#) [RKJXV1220001](#) [SLLB310300](#) [SLLB310500](#) [SLLB520200](#)