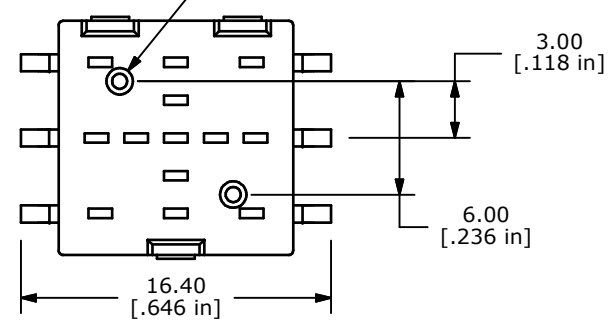


- NOTES:**
1. ALL DIMENSIONS IN MM [INCH]
  2. TERMINAL NUMBERS FOR REF. ONLY
  3. TOLERANCE: X.X=±0.4 X.XX=±0.25
  - ▲4. TRAVEL: LEVER 8°±2°; PUSH: 1.0mm +/- 0.2
  5. RATING: 20mA @ 15 VDC
  6. OPERATION FORCE: LEVER=280 +/- 100 gf; PUSH=500 +/- 150 gf
  7. CONTACT RESISTANCE: 100 mΩ MAX.
  8. LIFE CYCLES 100,000 CYCLES MIN.
  7. ▲DENOTES CRITICAL PARAMETER
  8. 2002/95/EC (ROHS) COMPLIANT
  - ▲9. MADE FROM HIGH TEMPERATURE MATERIALS SUITABLE FOR REFLOW SOLDERING



D	21347	ADD HIGH TEMPERATURE MATERIAL NOTE	1/9/14	EBP
C	19723	CHANGED DIMS was 12.02 & 6.59	2/28/11	BGL
B	19120	1mm R ADDED TO ACTUATOR STEM	6/4/10	BLR
A	10243	Release For Production	6/16/99	MM
REV	PCR NO	DESCRIPTION	DATE	BY



TITLE JS5208

THE INFORMATION CONTAINED IN THIS DOCUMENT IS PROPRIETARY TO E-SWITCH AND IS NOT TO BE COPIED OR TRANSFERRED

SCALE	DATE	DR	DWG	REV
2.5 : 1	6/4/2010	BLR	P200020	D

## X-ON Electronics

Largest Supplier of Electrical and Electronic Components

*Click to view similar products for [Multi-Directional Switches](#) category:*

*Click to view products by [E-Switch](#) manufacturer:*

Other Similar products are found below :

[MJTP1109AL](#) [RA3CSH6A](#) [APTCFVTR](#) [SRBE210100](#) [T5-NH1118](#) [RKJXW1014002](#) [RKJXW2014001](#) [T4-TCN3332](#) [TSWA-3N-CUP2-LFS](#) [T2-0018](#) [T5-CK2212](#) [CS41001E](#) [RKJXK122000D](#) [RKJXK122400Y](#) [RKJXL100401V](#) [RKJXM2E13001](#) [RKJXM2E13004](#) [RKJXS1004001](#) [RKJXT1F42001](#) [RKJXV1224005](#) [RKJXY100000A](#) [SKRHAAE010](#) [SKRHABE010](#) [SKRHACE010](#) [SKRHADE010](#) [SLLB120100](#) [SLLB120200](#) [SLLB120300](#) [SLLB510100](#) [SLLB510200](#) [SLLB520100](#) [SRBE110301](#) [SRBE210200](#) [AMPTFP2VTR](#) [D16202](#) [PHAP4383V](#) [3302](#) [7G5002C0003](#) [QSA2S3.5NH3G7](#) [K1-1508SA-03](#) [PLJG2-G-V-T/R](#) [PLMG5-GH-V-T/R](#) [RKJXU1210006](#) [SKRHADE011](#) [2200-000301](#) [RKJXM1015004](#) [RKJXV1220001](#) [SLLB310300](#) [SLLB310500](#) [SLLB520200](#)