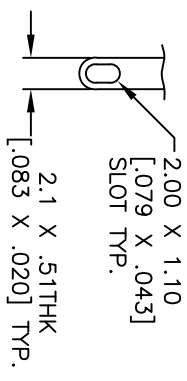


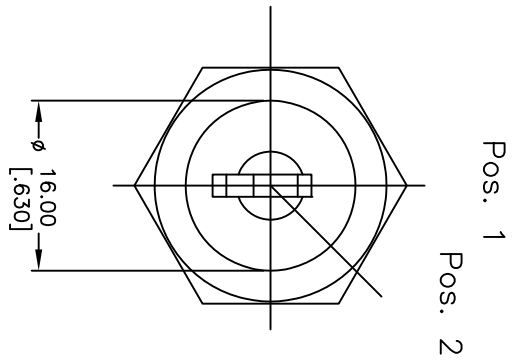
RECOMMENDED PANEL LAYOUT



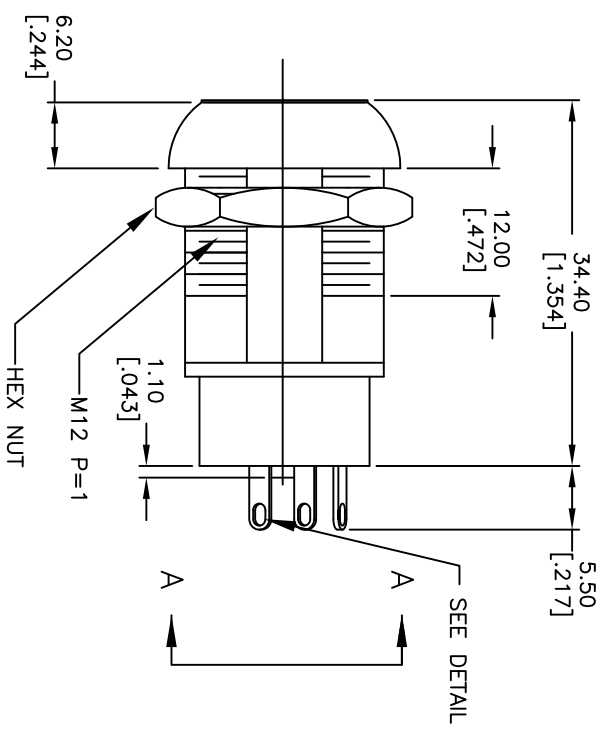
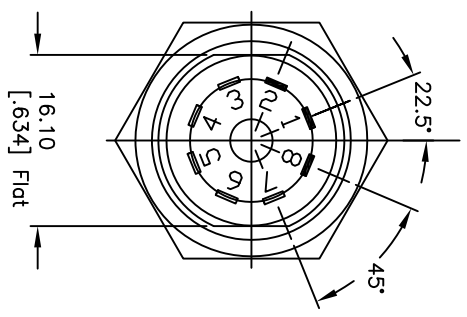
TERMINAL DETAIL  
SCALE 2X

NOTES:

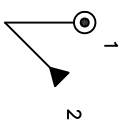
1. ALL DIMENSIONS IN MM [INCH]
2. GENERAL TOLERANCE: X.X=±0.4  
X.XX=±0.25
3. TERM. NOS. FOR REF. ONLY
4. CONTACT RATING: 4A @125VAC/28VDC, 2A @250VAC
5. DIELECTRIC STRENGTH: 1KV RMS min. at sea level
6. ELECTRICAL LIFE: 10,000 make-and-break cycles at full load.
7. MATERIALS:  
CONTACTS: Silver Plated Cu (Q Contact material)  
TERMINALS: Gold Flash Plated Cu  
MOUNTING NUT: Nickel Plated zinc alloy  
CONTACT SPRING: Piano Wire  
KEYS: (QTY. 2) Brass with code no. A126  
LOCK: Bright Ni plated zinc alloy with NI facing  
TUMBLER Mechanism: 4-disc tumbler cylinder.



Pos. 1 Ref.



SEE DETAIL



CIRCUIT: DP (45° INDEXING)  
CONTACT CONFIGURATION

SWITCH FUNCTION	CONNECTED TERMINAL #
POS. 1	POS. 2
8-1	1-2

LEGEND  
 ● =Detent Positions (45°)  
 ⊙ =Key pull possible in these positions  
 ▲ =MOMENTARY POS.

REV.	ECN No.	DESCRIPTION	DATE	CHKD
C	21037	TERMINAL PLATING WAS SILVER	2/14/13	EBP
B	13688	CORRECT SWITCH FUNCTION	1/9/04	AR
A	11566	RELEASE FOR PRODUCTION	8/5/02	CJB

SCALE	DATE	DR	DWG	REV
1:1.5	8/5/02	CB	K200309	C



K0129E-A126

THE INFORMATION CONTAINED IN THIS DOCUMENT IS PROPRIETARY TO E-SWITCH AND IS NOT TO BE COPIED OR TRANSFERRED

## X-ON Electronics

Largest Supplier of Electrical and Electronic Components

*Click to view similar products for [Keylock Switches](#) category:*

*Click to view products by [E-Switch](#) manufacturer:*

Other Similar products are found below :

[89496-09](#) [58J1007](#) [58J8A45-01B05N](#) [719-0201-000](#) [719-0202-000](#) [719-0702-000](#) [719-5504-000](#) [84800-04](#) [GKNC33L](#) [GKNC3L](#)  
[PVA2OAH5](#) [HA1K-2C2VA-2](#) [14-136.025K](#) [14-235.022K](#) [AS6H-2K2A](#) [AS6M-2K1B](#) [AS6Q-2K2A](#) [AS6Q-3K2A](#) [1571487-1](#) [HW4K-2BF20](#)  
[KEY-AS6](#) [KH3C-20C](#) [8928K493](#) [2SWK131AL102](#) [AS6M-2K1A](#) [AS6Q-2K1PB](#) [51-401.036D](#) [51-401.036K](#) [51-414.036D](#) [HW1K-31BF20](#)  
[HW1K-3HF20](#) [Y1112-2027CLFT](#) [51-155.025D](#) [51-295.022D](#) [51-404.036D](#) [51-405.036D](#) [51-415.036D](#) [1-1437597-8](#) [58J8A36-01B04N](#)  
[58M1422](#) [86945-05](#) [719-0204-000](#) [719-0205-000](#) [719-0801-000](#) [719-0804-000](#) [719-0805-000](#) [88422-18](#) [58J8A90-01C02N](#) [58J9P36-](#)  
[01B09N](#) [58J8A36-01C03N](#)