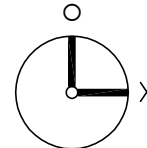
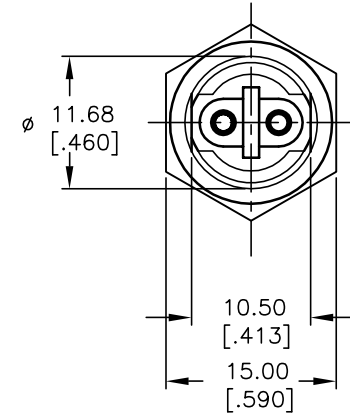
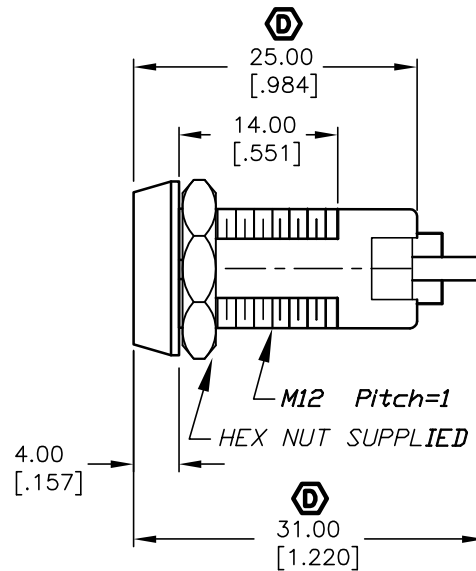


POS 2



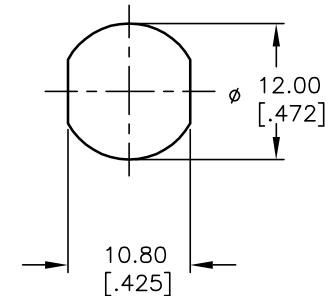
CIRCUIT: SPST
CONTACT CONFIGURATION

| SWITCH FUNCTION | |
|-----------------|-------|
| POS 1 | POS 2 |
| ↑ | → |
| OFF | (ON) |

() = MOMENTARY

LEGEND

- =OFF POSITION
- =INDICATES KEY PULL
- X =INDICATES NO KEY PULL



RECOMMENDED PANEL CUTOUT

NOTES:

1. ALL DIMENSIONS IN MM
2. GENERAL TOLERANCE: X.X=±0.4
X.XX=±0.25
3. TERM. NOS. FOR REFERENCE ONLY.
4. RATING: 1A @125VAC, 0.5A @250VAC
5. CONTACT RESISTANCE: 10mILLI-OHMS
6. DIELECTRIC STRENGTH: 1000 VAC-1Minute
7. MATERIALS:
HOUSING: ZINC ALLOY DIE CAST
CYLINDER: ZINC ALLOY W/CHROME PLATING
TERMINAL AND CONTACTS: SILVER PLATED
KEYS (2): ZINC ALLOY, CHROME PLATING

| | | | | |
|------|---------|-------------------------|----------|------|
| D | 13405 | CORRECT OVERALL LENGTH | 8/27/03 | AR |
| C | 13056 | DESC. WAS K0133C-801 | 4/17/03 | AR |
| B | 12767 | DESC WAS K0133E-801 | 1/27/03 | CJB |
| A | 11735 | RELEASED FOR PRODUCTION | 10/12/01 | CJB |
| REV. | ECN No. | DESCRIPTION | DATE | CHKD |

THE INFORMATION CONTAINED IN THIS DOCUMENT IS PROPRIETARY TO E-SWITCH AND IS NOT TO BE COPIED OR TRANSFERRED

E-SWITCH®

TITLE

K0133C-801

SCALE

1.5:1

DATE

10/12/01

DR

CJB

DWG

K400109

REV

D

X-ON Electronics

Largest Supplier of Electrical and Electronic Components

Click to view similar products for [Keylock Switches](#) category:

Click to view products by [E-Switch](#) manufacturer:

Other Similar products are found below :

[89496-09](#) [58J1007](#) [58J8A45-01B05N](#) [719-0201-000](#) [719-0202-000](#) [719-0702-000](#) [719-5504-000](#) [84800-04](#) [GKNC33L](#) [GKNC3L](#)
[PVA2OAH5](#) [HA1K-2C2VA-2](#) [14-136.025K](#) [14-235.022K](#) [AS6H-2K2A](#) [AS6M-2K1B](#) [AS6Q-2K2A](#) [AS6Q-3K2A](#) [1571487-1](#) [HW4K-2BF20](#)
[KEY-AS6](#) [KH3C-20C](#) [8928K493](#) [2SWK131AL102](#) [AS6M-2K1A](#) [AS6Q-2K1PB](#) [51-401.036D](#) [51-401.036K](#) [51-414.036D](#) [HW1K-31BF20](#)
[HW1K-3HF20](#) [Y1112-2027CLFT](#) [51-155.025D](#) [51-295.022D](#) [51-404.036D](#) [51-405.036D](#) [51-415.036D](#) [1-1437597-8](#) [58J8A36-01B04N](#)
[58M1422](#) [86945-05](#) [719-0204-000](#) [719-0205-000](#) [719-0801-000](#) [719-0804-000](#) [719-0805-000](#) [88422-18](#) [58J8A90-01C02N](#) [58J9P36-](#)
[01B09N](#) [58J8A36-01C03N](#)