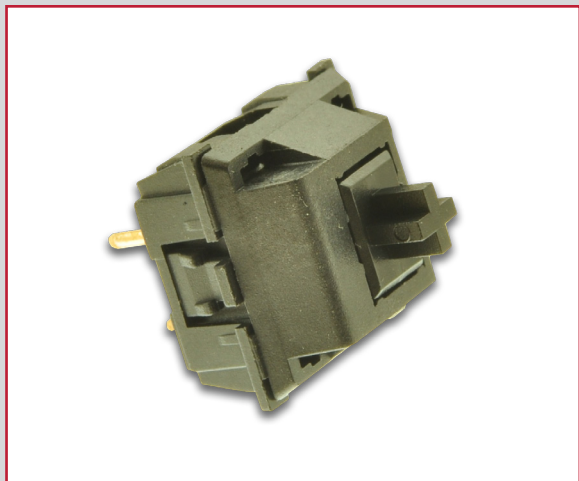
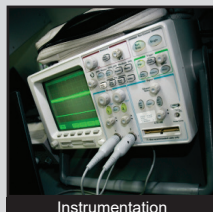
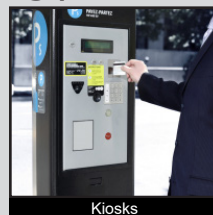
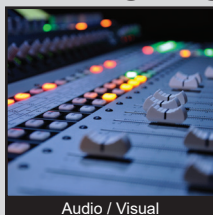


KS1100 SERIES PUSHBUTTON SWITCH

ANTI-VANDAL SWITCHES
DETECTOR SWITCHES
DIP SWITCHES
KEYLOCK SWITCHES
NAVIGATION SWITCHES
PUSHBUTTON SWITCHES
ROCKER SWITCHES
ROTARY SWITCHES
SLIDE SWITCHES
SNAP ACTION SWITCHES
TACTILE SWITCHES
TOGGLE SWITCHES
CAP OPTIONS



APPLICATIONS / MARKETS



RoHS

SPECIFICATIONS

Contact Rating: 10mA @ 12VDC Max
Contact Resistance: 100mΩ Max Initial
Insulation Resistance: 100MΩ Min. @ 100VDC
Dielectric Strength: 1,000VAC for 1 Minute
Electrical Life: 50,000,000
Operating Temperature: -10°C to 70°C
Storage Temperature: -10°C to 70°C
Contact Arrangement: SPST
Travel: 2.0mm to Electrical Make
 4.0mm Max Travel
Actuation: 60gf

FEATURES & BENEFITS

- 10mA 12VDC rating
- 1 Pole SPST Momentary Function
- Long Travel
- 50,000,000 Electrical Life
- Low Actuator Force

PART NUMBER CONFIGURATOR

Series

KS1100

Function

OA - Momentary

Circuit

1 - SPST

Actuator

A - 15.2mm Height

Operating Force

F060 - 60 GF

Specifications subject to change without notice



E-SWITCH®

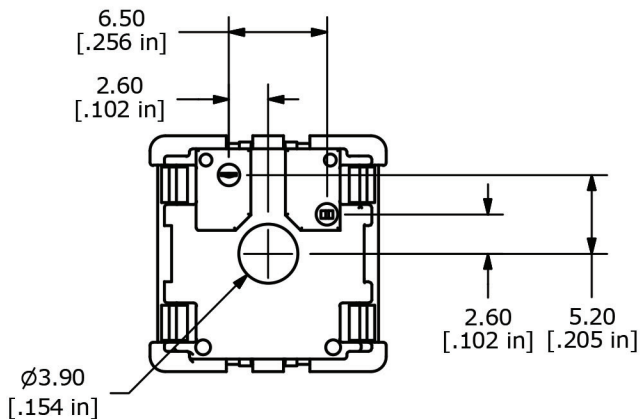
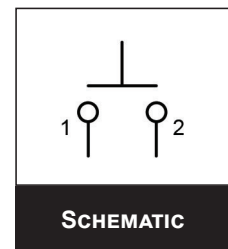
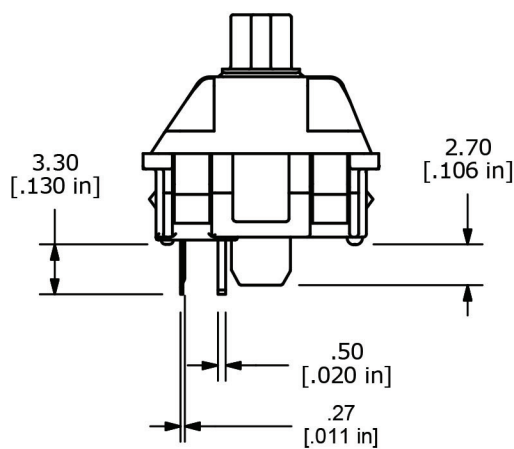
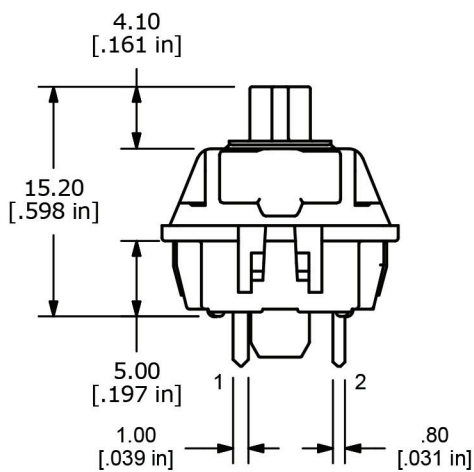
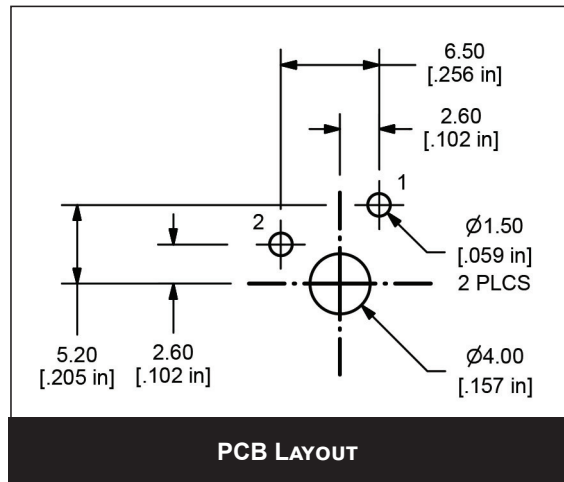
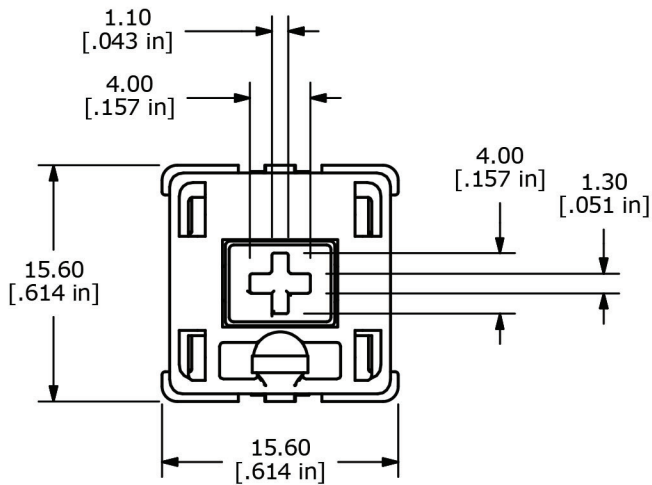
www.e-switch.com

800.867.2717

1

KS1100 SERIES PUSHBUTTON SWITCH

BODY DIMENSIONS & PCB LAYOUT



X-ON Electronics

Largest Supplier of Electrical and Electronic Components

Click to view similar products for [Pushbutton Switches](#) category:

Click to view products by [E-Switch](#) manufacturer:

Other Similar products are found below :

[8940K2012](#) [LW1L-M1C10V-A](#) [LW1L-M1C70-A](#) [LW2L-A1C20M-GD](#) [LW2L-M1C20M-A](#) [60324L](#) [M22-D-R-GB0/K11](#) [M7E-HRN2](#)
[67021K512](#) [67081K512X](#) [701PB580](#) [7190K101](#) [7199K101](#) [810K12910](#) [810KSV30B](#) [MML21EA2ADK](#) [MML21KA3ABK](#)
[MML23KA3AC05K-001](#) [MML23KW3AA01W](#) [8418K2](#) [8442K3](#) [8450K1](#) [860K11911T01A](#) [861901](#) [861K11911T01A07](#)
[861K13810T00A14](#) [861K13911](#) [8646AB6X718UL](#) [8646ABUL](#) [9001KXRK](#) [907AYY100](#) [PMHD155A1](#) [95-313.000](#)
[9533CD4+U574+U4922](#) [95-414.000](#) [99-450.837](#) [99-453.837](#) [PV3H2B0NN-341](#) [1203MRA](#) [A22NZBGANGA](#) [A22NZBMMNGA](#)
[A22NZBNANGA](#) [A22NZMPATRA](#) [A2PMA1X03EC56](#) [A3A-5123-02](#) [A3A-7140](#) [A3A-7310](#) [A3A-7340](#) [A3U-TMW-A2C-5M](#) [A595](#)