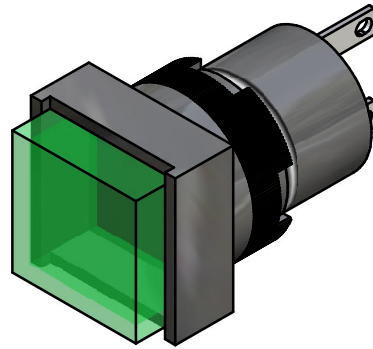
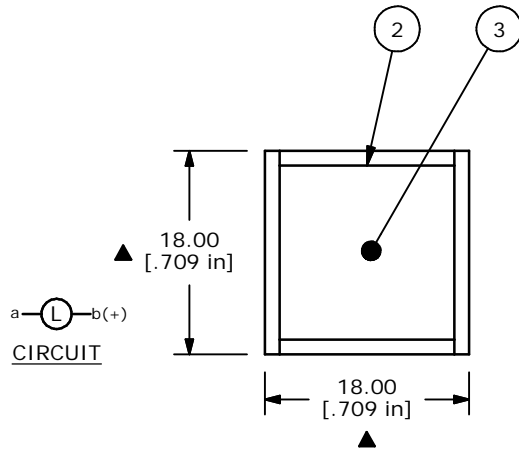


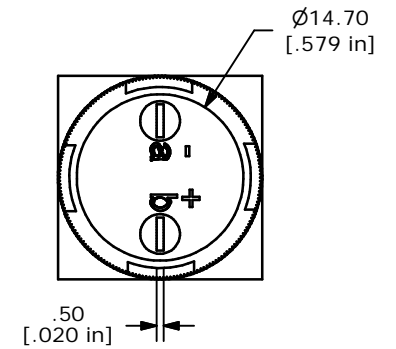
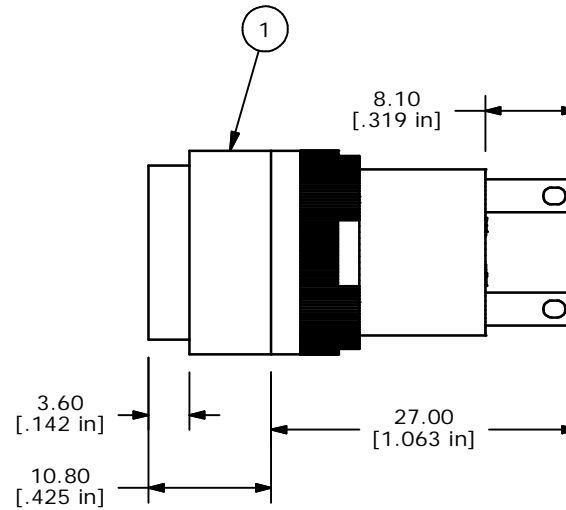
RECOMMENDED PANEL MOUNTING



| PARTS LIST | | | | |
|------------|-----|-------------|---------------------------------|--|
| ITEM | QTY | PART NUMBER | DESCRIPTION | |
| 1 | 1 | F040002 | L16PLS10 | |
| 2 | 1 | F050312 | 50-003-12 | |
| 3 | 1 | F050405 | 50-004-05 28V INCANDESCENT BULB | |



CIRCUIT



- NOTE:
1. ALL DIMENSIONS IN MM [INCH]
 2. GENERAL TOLERANCE: X.X=±0.4
X.XX=±0.25
 3. TERMINAL NUMBERS FOR REF ONLY
 4. OPERATING TEMP: -25°C to +55°C
 5. STORAGE TEMP: -40°C TO +85°C
 - ▲ 6. LAMP VOLTAGE: 28V AC OR DC @40MILLIAMPS
 7. ▲ DENOTES CRITICAL PARAMETER.

E-SWITCH®

| | | | | |
|-----|--------|-------------------------|--------|----|
| A | 14304 | RELEASED FOR PRODUCTION | 9/9/04 | AR |
| REV | PCR NO | DESCRIPTION | DATE | BY |

| | | | | |
|--------------------|--------|----|---------|-----|
| TITLE L16PLS10CGRN | | | | |
| SCALE | DATE | DR | DWG | REV |
| 2:1 | 9/9/04 | AR | XF0603P | A |

THE INFORMATION CONTAINED IN THIS DOCUMENT IS PROPRIETARY TO E-SWITCH AND IS NOT TO BE COPIED OR TRANSFERRED

X-ON Electronics

Largest Supplier of Electrical and Electronic Components

Click to view similar products for [Industrial Panel Mount Indicators / Switch Indicators](#) category:

Click to view products by [E-Switch](#) manufacturer:

Other Similar products are found below :

[LW1A-P1-GD](#) [LW1A-P1-W](#) [01-931.3](#) [01-152.025](#) [73.362.4028.0](#) [750-1520](#) [9001OA120](#) [A0142N5](#) [A3DT-500Y](#) [AL6M-LK3-R](#) [AL6M-P7P-A](#) [AOLQW-2B0600](#) [AP1M255-A](#) [APD106LN-G](#) [APD106LN-S](#) [APN1126-G](#) [APS122DN-W](#) [ASLWLD-G](#) [ASLWLD-R](#) [ATN2100](#) [AYLW4L-A](#) [18-237.035](#) [HW1A-L1-GD](#) [HW1A-P2-GL](#) [HW1X-BM411-R](#) [HW2A-L1-GL](#) [HW2A-P1-GD](#) [HWAZ1N-OB](#) [PA2100/2](#) [PA2200/1](#) [PA2SHIELD](#) [LA3P-1C03V-Y](#) [96-923.5](#) [A0244J2](#) [LSPD-120A](#) [LSPD-1Y](#) [LSPD-6A](#) [LSPD-6DA](#) [LSPD-6DW](#) [LSPD-6DY](#) [LSPD-6R](#) [LSPD-6W](#) [AL6H-LK3-A](#) [AL6H-P4-JW](#) [AL6M-LK1-MG](#) [AP8M155-G](#) [APD106LN-W](#) [APN106L-O](#) [21-931.9](#) [25.168.0553.0](#)