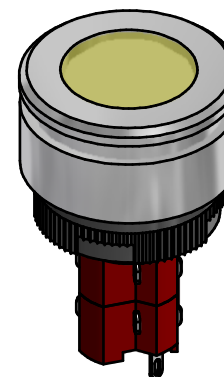
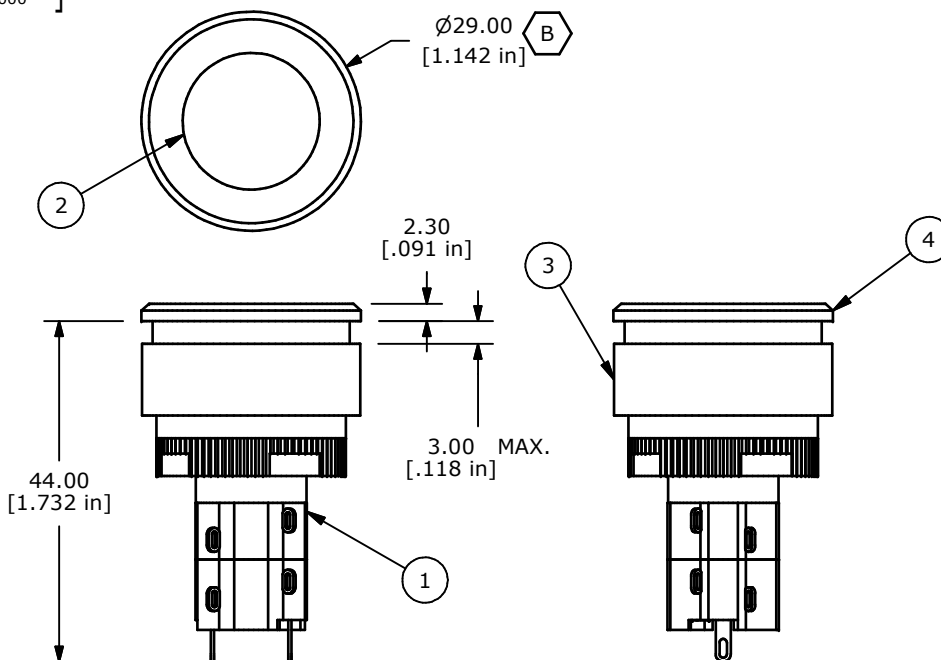
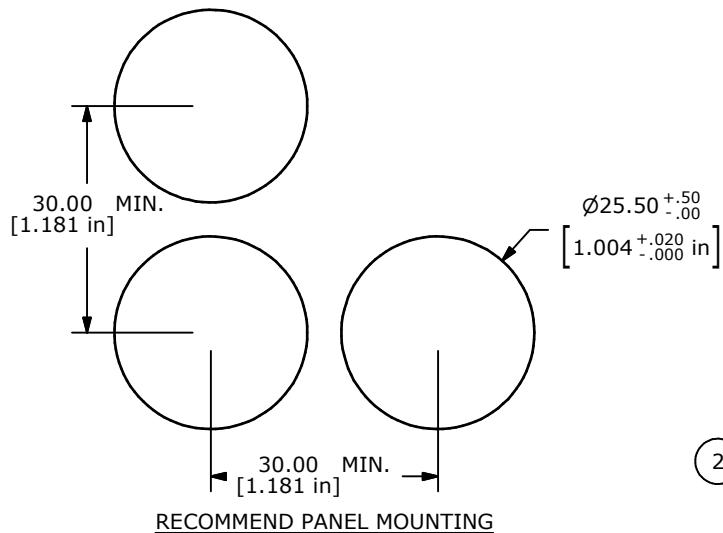
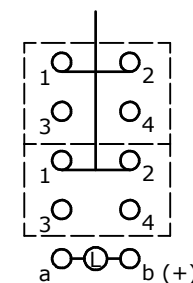


▲ Parts List

ITEM	QTY	PART NUMBER	DESCRIPTION
1	1	F060603	LASEEV12
2	1	F060202	25 MM GREEN LENS
3	1	F051705	V3 FLUSH MOUNT RETAINER
4	1	F051704	V3 FLUSH MOUNT BEZEL
5	1	F050416	LED 6VDC GREEN



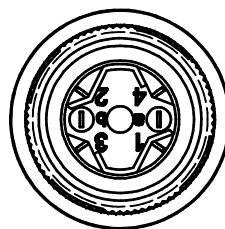
ISOMETRIC



▲ CONTACT CONFIGURATION

NOTES:

1. ALL DIMENSIONS IN MM [INCH].
2. GENERAL TOLERANCE: 0.0±0.4
0.00±0.25
3. TERM. NOS. FOR REF. ONLY.
4. RATING: 5A @250VAC
8A @125VAC
0.2A @250VDC
6A @24VDC
5. INSULATION: 1,000 MΩ MIN.
6. DIELECTRIC STRENGTH: 2000V FOR 1 MIN.
7. SEALED TO IP65.
8. TRAVEL: 3.0MM FULL TRAVEL, 2.0MM LATCH
9. ELECTRICAL LIFE: >50,000 CYCLES
10. OPERATING TEMP: -25C TO +55C
11. PANEL THICKNESS: 0.5MM TO 3.0MM
- ▲ 12. LAMP VOLTAGE: LED 6V DC GREEN
13. ▲ DENOTES CRITICAL PARAMETER.
14. PACKAGE: BOX/20 PCS PER.
15. 2002/95/EC (ROHS) COMPLIANT



B	21026	29.00 WAS 30.00	2/13/13	EBP
A	18094	RELEASE FOR PRODUCTION	5/15/08	BLR
REV	PCR NO	DESCRIPTION	DATE	BY

TITLE LASEEV32HGRNGRN				
SCALE 1:1	DATE 5/15/2008	DR BLR	DWG XF0749P	REV B

THE INFORMATION CONTAINED IN THIS DOCUMENT IS PROPRIETARY TO E-SWITCH AND IS NOT TO BE COPIED OR TRANSFERRED

X-ON Electronics

Largest Supplier of Electrical and Electronic Components

Click to view similar products for [Pushbutton Switches](#) category:

Click to view products by [E-Switch](#) manufacturer:

Other Similar products are found below :

[8940K2012](#) [LW1L-M1C10V-A](#) [LW1L-M1C70-A](#) [LW2L-A1C20M-GD](#) [LW2L-M1C20M-A](#) [60324L](#) [M22-D-R-GB0/K11](#) [M7E-HRN2](#)
[67021K512](#) [67081K512X](#) [701PB580](#) [7190K101](#) [7199K101](#) [810K12910](#) [810KSV30B](#) [MML21EA2ADK](#) [MML21KA3ABK](#)
[MML23KA3AC05K-001](#) [MML23KW3AA01W](#) [8418K2](#) [8442K3](#) [8450K1](#) [860K11911T01A](#) [861901](#) [861K11911T01A07](#)
[861K13810T00A14](#) [861K13911](#) [8646AB6X718UL](#) [8646ABUL](#) [9001KXRK](#) [907AYY100](#) [PMHD155A1](#) [95-313.000](#)
[9533CD4+U574+U4922](#) [95-414.000](#) [99-450.837](#) [99-453.837](#) [PV3H2B0NN-341](#) [1203MRA](#) [A22NZBGANGA](#) [A22NZBMMNGA](#)
[A22NZBNANGA](#) [A22NZMPATRA](#) [A2PMA1X03EC56](#) [A3A-5123-02](#) [A3A-7140](#) [A3A-7310](#) [A3A-7340](#) [A3U-TMW-A2C-5M](#) [A595](#)