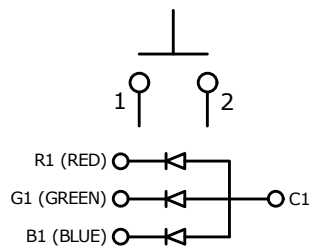


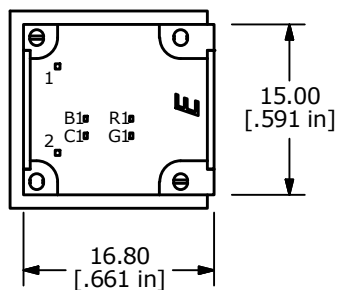
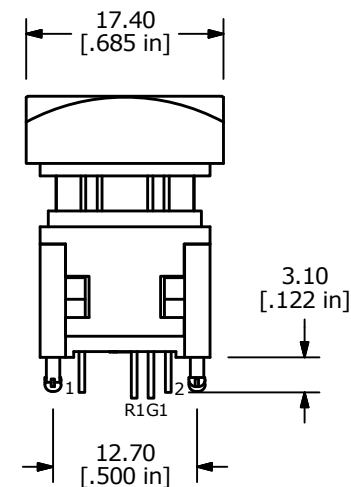
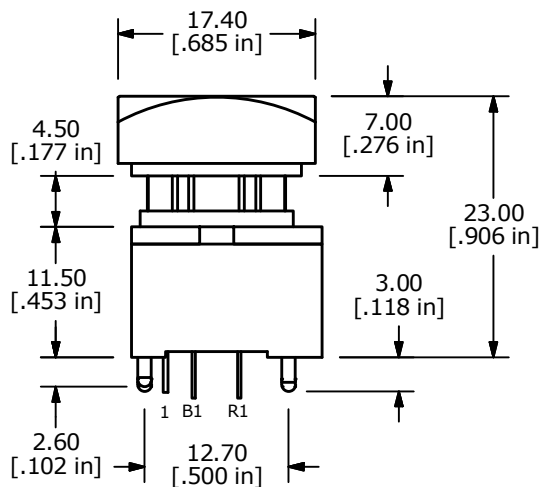
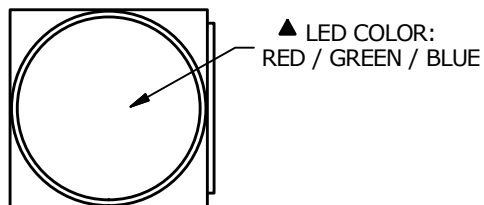
PCB LAYOUT



RGB SCHEMATIC

NOTES:

1. ALL DIMENSIONS IN MM [INCH]
2. GENERAL TOLERANCE: X.X = ± 0.4
X.XX = ± 0.25
3. TERM. NOS. FOR REFERENCE ONLY.
4. RATING: 12VDC, 100mA
5. CONTACT MATERIAL: GOLD PLATED
6. CONTACT RESISTANCE: 200 m Ω MAX.
7. INSULATION RESISTANCE: 500VDC, 100 M Ω MIN.
8. OPERATING FORCE: 200 \pm 100gf
9. MECHANICAL LIFE: 2,000,000 CYCLES
10. OPERATING TEMP: -40°C TO +85°C
- ▲ 11. LED COLORS: RED / GREEN / BLUE
12. TRAVEL: 4.00mm \pm 0.20
13. ▲ DENOTES CRITICAL PARAMETER.
- ▲ 14. SWITCH HAS NON TACTILE FEEDBACK WHEN ACTUATED



LED SPECS	UNITS	RED	GREEN	BLUE
FORWARD CURRENT	mA	20	20	20
FORWARD VOLTAGE @20mA	V	2.1-2.5	3.2-4.0	3.3-4.0
LUMINOUS INTENSITY @20mA	MCD	1000	1600	330



A	23539	NEW RELEASE	8/24/18	MJR
REV	PCR NO	DESCRIPTION	DATE	BY

TITLE LP11EE1NCSRGB				
SCALE	DATE	DR	DWG	REV
3:2	8/24/2018	MJR	B232001	A

THE INFORMATION CONTAINED IN THIS DOCUMENT IS PROPRIETARY TO E-SWITCH AND IS NOT TO BE COPIED OR TRANSFERRED

X-ON Electronics

Largest Supplier of Electrical and Electronic Components

Click to view similar products for [Pushbutton Switches](#) category:

Click to view products by [E-Switch](#) manufacturer:

Other Similar products are found below :

[8940K2012](#) [LW1L-M1C10V-A](#) [LW1L-M1C70-A](#) [LW2L-A1C20M-GD](#) [LW2L-M1C20M-A](#) [60324L](#) [M22-D-R-GB0/K11](#) [M7E-HRN2](#)
[67021K512](#) [67081K512X](#) [701PB580](#) [7190K101](#) [7199K101](#) [810K12910](#) [810KSV30B](#) [MML21EA2ADK](#) [MML21KA3ABK](#)
[MML23KA3AC05K-001](#) [MML23KW3AA01W](#) [8418K2](#) [8442K3](#) [8450K1](#) [860K11911T01A](#) [861901](#) [861K11911T01A07](#)
[861K13810T00A14](#) [861K13911](#) [8646AB6X718UL](#) [8646ABUL](#) [9001KXRK](#) [907AYY100](#) [PMHD155A1](#) [95-313.000](#)
[9533CD4+U574+U4922](#) [95-414.000](#) [99-450.837](#) [99-453.837](#) [PV3H2B0NN-341](#) [1203MRA](#) [A22NZBGANGA](#) [A22NZBMMNGA](#)
[A22NZBNANGA](#) [A22NZMPATRA](#) [A2PMA1X03EC56](#) [A3A-5123-02](#) [A3A-7140](#) [A3A-7310](#) [A3A-7340](#) [A3U-TMW-A2C-5M](#) [A595](#)