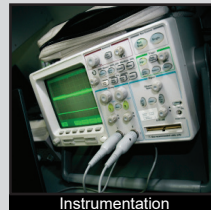
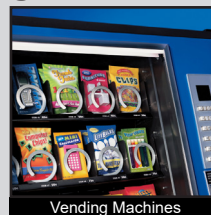


LP11 SERIES PUSHBUTTON SWITCH

ANTI-VANDAL SWITCHES
 DETECTOR SWITCHES
 DIP SWITCHES
 KEYLOCK SWITCHES
 NAVIGATION SWITCHES
PUSHBUTTON SWITCHES
 ROCKER SWITCHES
 ROTARY SWITCHES
 SLIDE SWITCHES
 SNAP ACTION SWITCHES
 TACTILE SWITCHES
 TOGGLE SWITCHES
 CAP OPTIONS



APPLICATIONS / MARKETS



RoHS

SPECIFICATIONS

Electrical Rating: 100mA @ 12VDC
Contact Arrangement: SPST
Electrical Life: 1,000,000 Cycles
Contact Resistance: 200mΩ Max. initial
Insulation Resistance: 100 MΩ Min. @ 500VDC
Dielectric Strength: 500VAC for 1 Minute
Travel: 4.50mm (Momentary)
 3.50mm (Latching)
Actuation Force: 160 gf (Momentary)
 200 gf (Latching)
Operating Temperature: -40°C to 85°C

FEATURES & BENEFITS

- RGB or multiple bi-color illumination options
- Tactile or non tactile feel
- Multiple cap sizes
- Long electrical life
- Latching and momentary functions

PART NUMBER CONFIGURATOR

Series	Function	Circuit	Actuators	Cap	Cap Configuration	LED Color Options*
<input type="text" value="LP11"/>	<input type="text" value="OA"/> <input type="text" value="EE"/>	<input type="text" value="1"/>	<input type="text" value="N"/> <input type="text" value="T"/>	<input type="text" value="A"/> <input type="text" value="B"/> <input type="text" value="C"/>	<input type="text" value="S"/>	<input type="text" value="RR"/> <input type="text" value="RG"/> <input type="text" value="RB"/> <input type="text" value="RY"/> <input type="text" value="RW"/> <input type="text" value="BB"/> <input type="text" value="BW"/> <input type="text" value="GG"/> <input type="text" value="GB"/> <input type="text" value="GW"/> <input type="text" value="YY"/> <input type="text" value="YG"/> <input type="text" value="YB"/> <input type="text" value="YW"/> <input type="text" value="WW"/> <input type="text" value="RGB"/>
LP11	OA - Momentary EE - Latching (Only using N Actuator Type)	1 - SPST	N - Non Tactile T - Tactile	A - 12mm square B - 15mm square C - 17.4mm square	S - Sculptured	RR - Red-Red RG - Red-Green RB - Red-Blue RY - Red-Yellow RW - Red-White BB - Blue-Blue BW - Blue-White GG - Green-Green GB - Green-Blue GW - Green-White YY - Yellow-Yellow YG - Yellow-Green YB - Yellow-Blue YW - Yellow-White WW - White-White RGB - Red-Green-Blue

* Please refer to individual part number drawings for LED specifications.

Specifications subject to change without notice 9.13.2018



E-SWITCH®

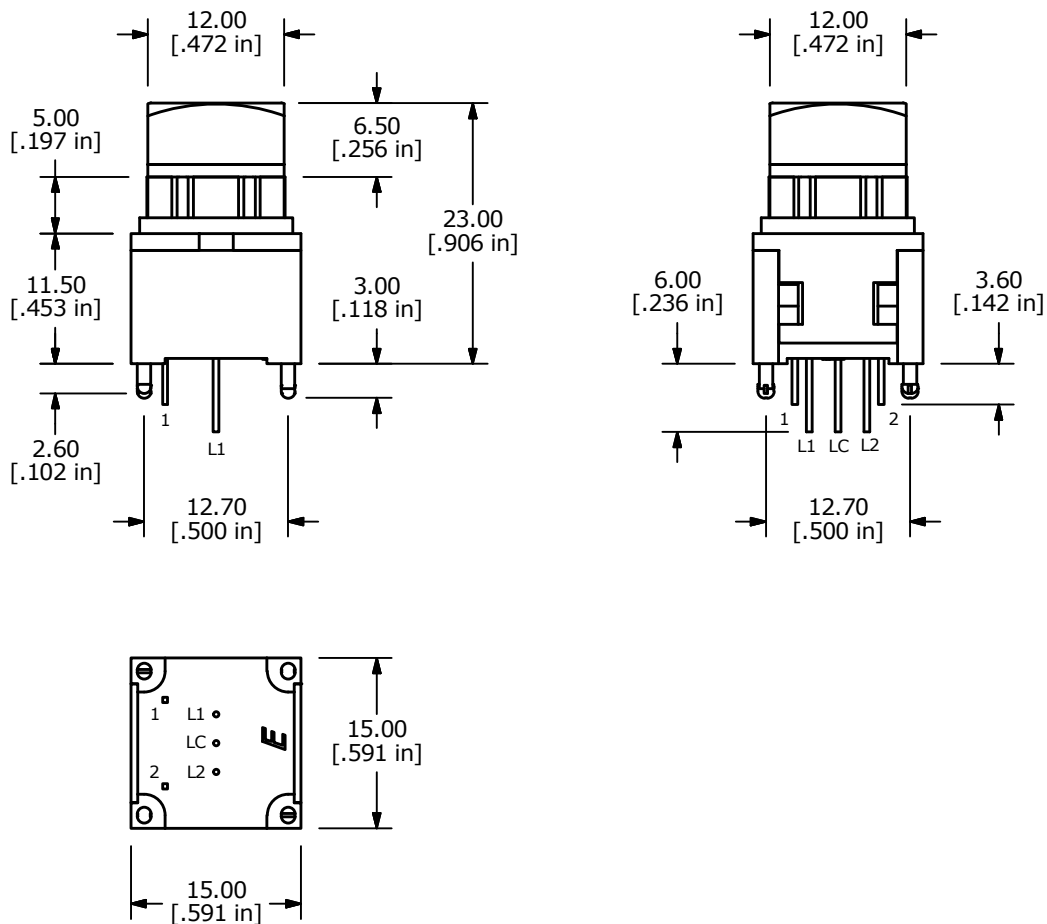
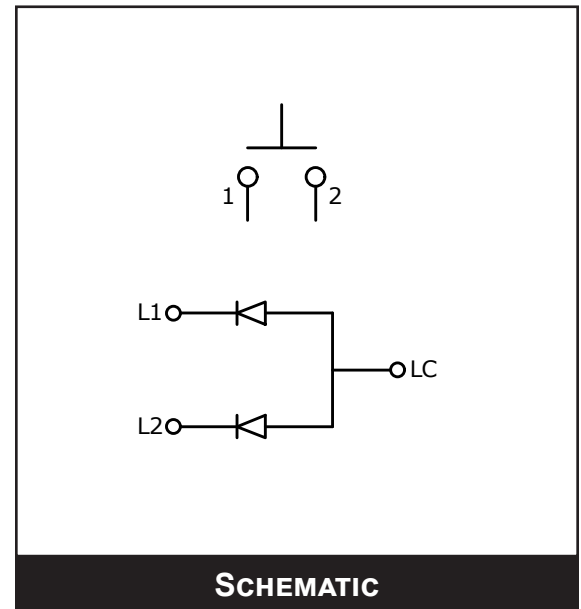
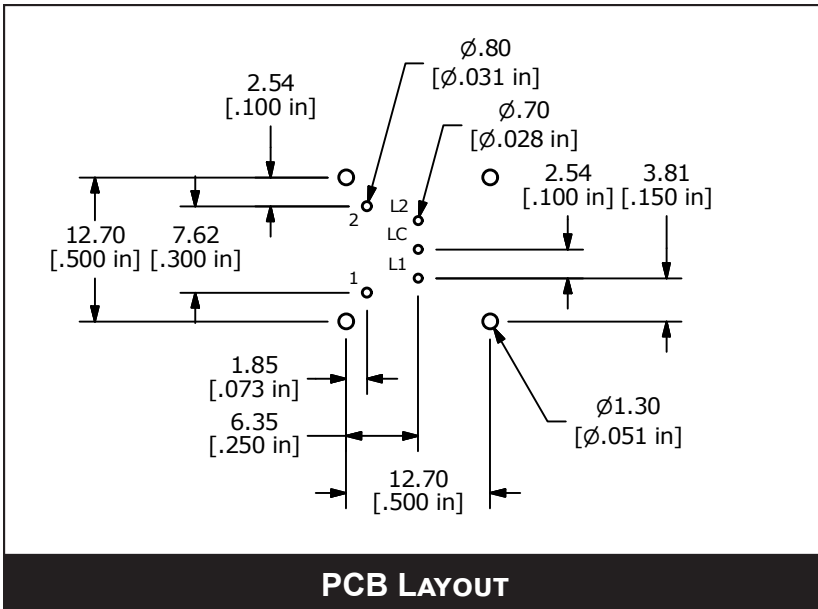
www.e-switch.com

800.867.2717

1

LP11 SERIES PUSHBUTTON SWITCH

BODY DIMENSIONS MOMENTARY LED



OA - MOMENTARY WITH A - 12MM CAP
LED ILLUMINATION



E-SWITCH®

www.e-switch.com

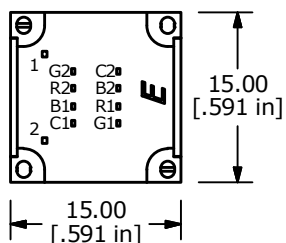
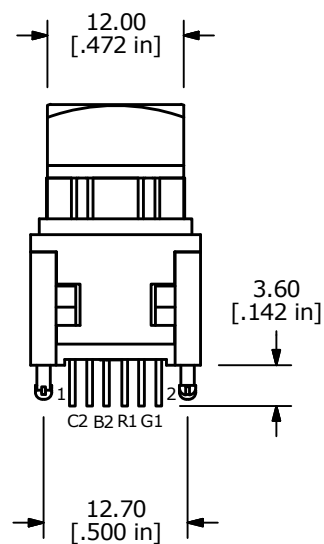
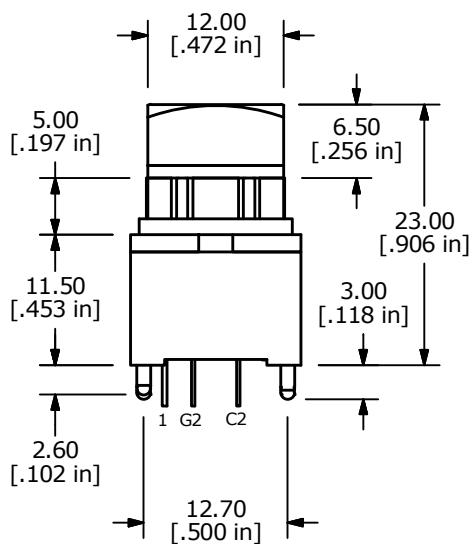
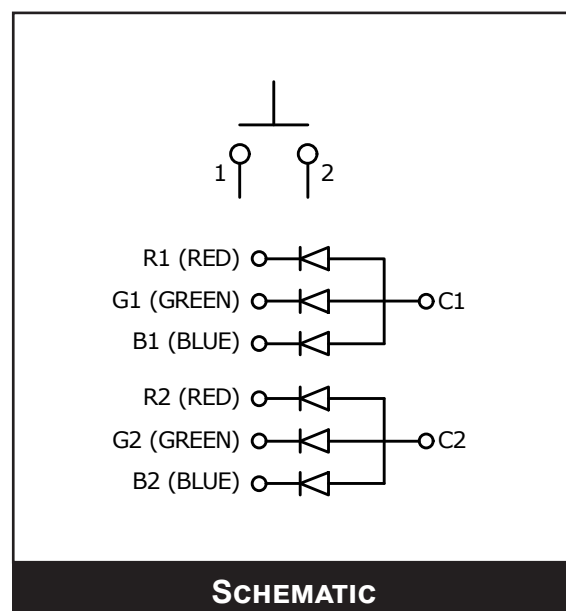
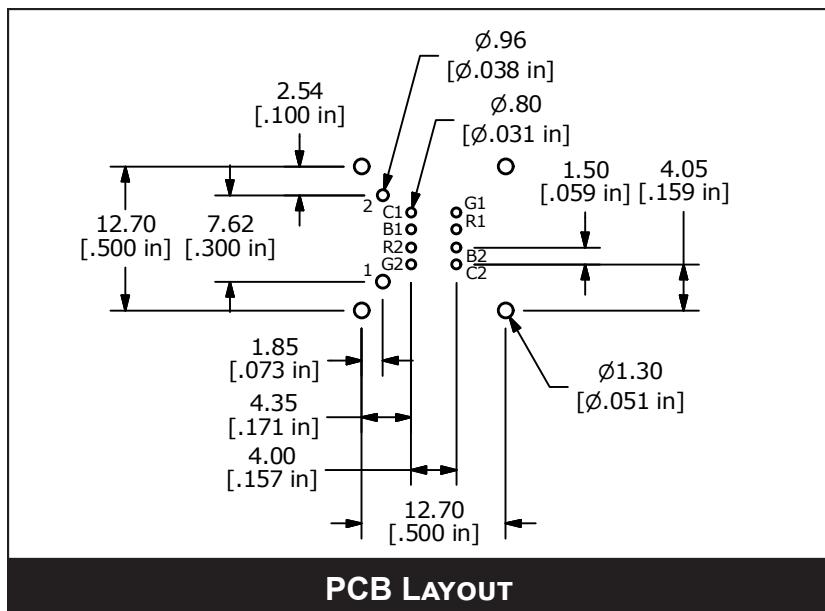
800.867.2717

2

- ANTI-VANDAL SWITCHES
- DETECTOR SWITCHES
- DIP SWITCHES
- KEYLOCK SWITCHES
- NAVIGATION SWITCHES
- PUSHBUTTON SWITCHES**
- ROCKER SWITCHES
- ROTARY SWITCHES
- SLIDE SWITCHES
- SNAP ACTION SWITCHES
- TACTILE SWITCHES
- TOGGLE SWITCHES
- CAP OPTIONS

LP11 SERIES PUSHBUTTON SWITCH

BODY DIMENSIONS MOMENTARY RGB



OA - MOMENTARY WITH A - 12MM CAP
RGB ILLUMINATION



E-SWITCH®

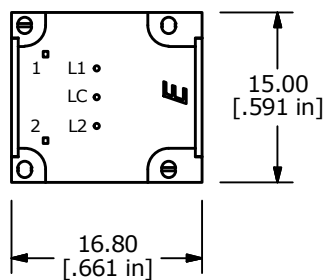
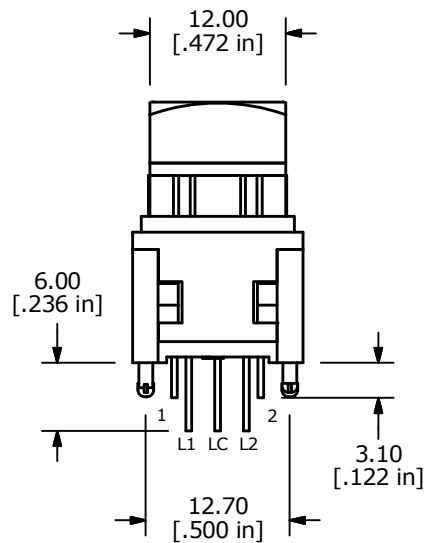
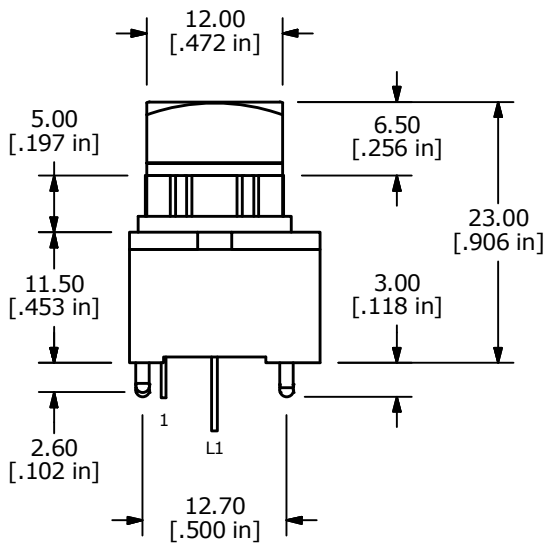
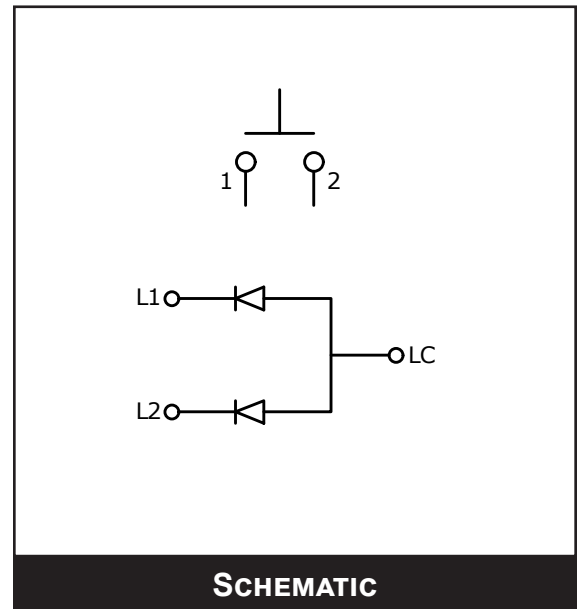
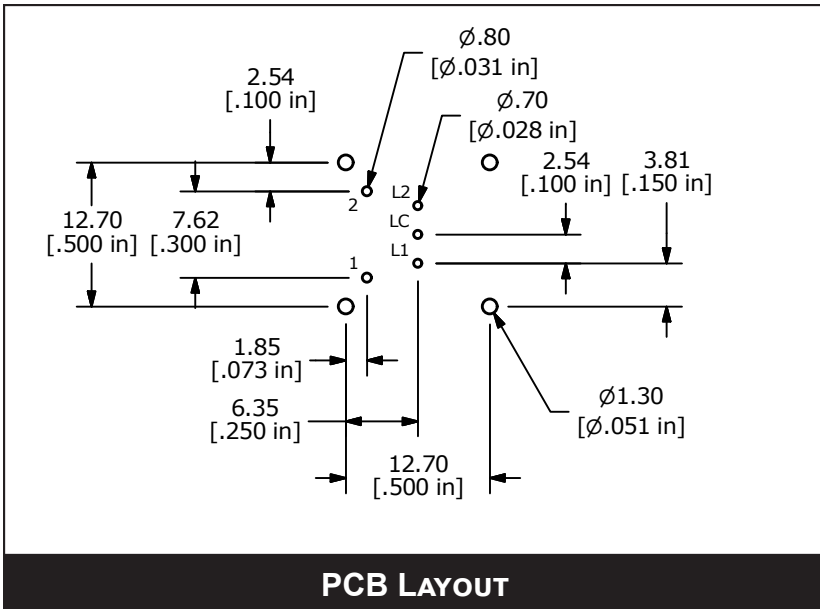
www.e-switch.com

800.867.2717

3

LP11 SERIES PUSHBUTTON SWITCH

BODY DIMENSIONS LATCHING LED

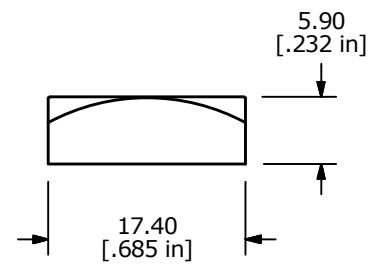
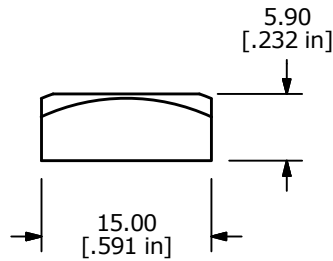
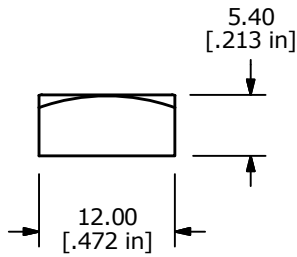
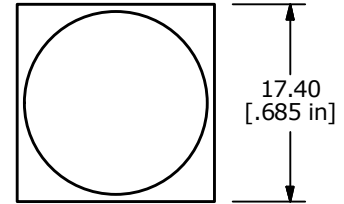
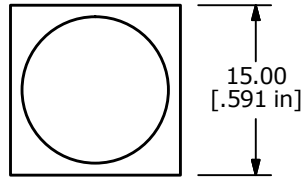
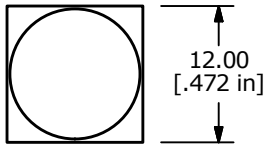


EE - LATCHING WITH A - 12MM CAP
LED ILLUMINATION



LP11 SERIES PUSHBUTTON SWITCH

CAP OPTIONS



A - 12MM CAP

B - 15MM CAP

C - 17.4MM CAP

ANTI-VANDAL SWITCHES
DETECTOR SWITCHES
DIP SWITCHES
KEYLOCK SWITCHES
NAVIGATION SWITCHES
PUSHBUTTON SWITCHES
ROCKER SWITCHES
ROTARY SWITCHES
SLIDE SWITCHES
SNAP ACTION SWITCHES
TACTILE SWITCHES
TOGGLE SWITCHES
CAP OPTIONS



X-ON Electronics

Largest Supplier of Electrical and Electronic Components

Click to view similar products for [Pushbutton Switches](#) category:

Click to view products by [E-Switch](#) manufacturer:

Other Similar products are found below :

[8940K2012](#) [LW1L-M1C10V-A](#) [LW1L-M1C70-A](#) [LW2L-A1C20M-GD](#) [LW2L-M1C20M-A](#) [60324L](#) [M22-D-R-GB0/K11](#) [M7E-HRN2](#)
[67021K512](#) [67081K512X](#) [701PB580](#) [7190K101](#) [7199K101](#) [810K12910](#) [810KSV30B](#) [MML21EA2ADK](#) [MML21KA3ABK](#)
[MML23KA3AC05K-001](#) [MML23KW3AA01W](#) [8418K2](#) [8442K3](#) [8450K1](#) [860K11911T01A](#) [861901](#) [861K11911T01A07](#)
[861K13810T00A14](#) [861K13911](#) [8646AB6X718UL](#) [8646ABUL](#) [9001KXRK](#) [907AYY100](#) [PMHD155A1](#) [95-313.000](#)
[9533CD4+U574+U4922](#) [95-414.000](#) [99-450.837](#) [99-453.837](#) [PV3H2B0NN-341](#) [1203MRA](#) [A22NZBGANGA](#) [A22NZBMMNGA](#)
[A22NZBNANGA](#) [A22NZMPATRA](#) [A2PMA1X03EC56](#) [A3A-5123-02](#) [A3A-7140](#) [A3A-7310](#) [A3A-7340](#) [A3U-TMW-A2C-5M](#) [A595](#)