

SERIES LP11 SWITCHES



ILLUMINATED PUSHBUTTON



FEATURES & BENEFITS

Multiple illumination options
Tactile or Non-tactile feel
Multiple cap sizes

APPLICATIONS / MARKETS

Computer Servers/peripherals
Performance Audio
Instrumentation
Telecommunications/networking

MECHANICAL SPECIFICATIONS

Mechanical Life:	1,000,000 cycles
Force:	250 +/- 100 gf
Travel:	4.50 +/- 0.2mm

ELECTRICAL SPECIFICATIONS

Electrical Life:	1,000,000 cycles
Contact Rating:	100mA @ 12VDC
Contact Resistance:	200mΩ (initial max)
Insulation Resistance:	100MΩ (Min @ 500VDC)
Dielectric Strength:	500VAC

ENVIRONMENTAL SPECIFICATIONS

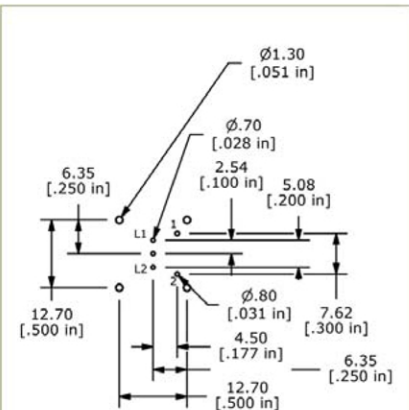
Operating Temperature:	-20°C to +70°C
Storage Temperature:	-20°C to +70°C

HOW TO ORDER:

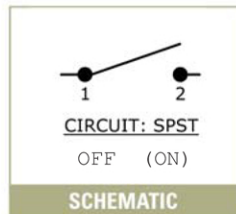
SERIES	FUNCTION STYLE	CIRCUIT	ACTUATION TYPE	CAP SIZE	CAP CONFIGURATION	LED COLORS
LP11	OA = Momentary	1 = SPST	N = Non Tactile T = Tactile Feel	A = 12 mm sq. B = 15 mm sq. C = 17.4 mm sq.	S = Sculptured	RR = RED-RED RG = RED-GRN RY = RED-YEL RB = RED-BLU RW = RED-WHT YY = YEL-YEL YG = YEL-GRN YB = YEL-BLU YW = YEL-WHT GG = GRN-GRN GB = GRN-BLU GW = GRN-WHT BB = BLU-BLU BW = BLU-WHT WW = WHT-WHT

Example Ordering Code: LP11-OA-1-N-B-S-RG

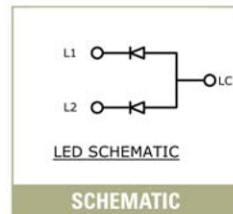
Specifications subject to change without notification.



MOUNTING



SCHEMATIC



SCHEMATIC



LED SPECIFICATIONS

LED PARAMETER	UNITS	RED	GREEN	YELLOW	BLUE	WHITE
Forward Current	mA	20	20	20	20	20
Forward Voltage @ 20mA	V	1.9 - 2.4	3.1 - 3.8	2.05 - 2.4	3.3 - 3.8	3.0 - 3.6
Luminous Intensity (Typ.)	mcd	40	250	70	70	500

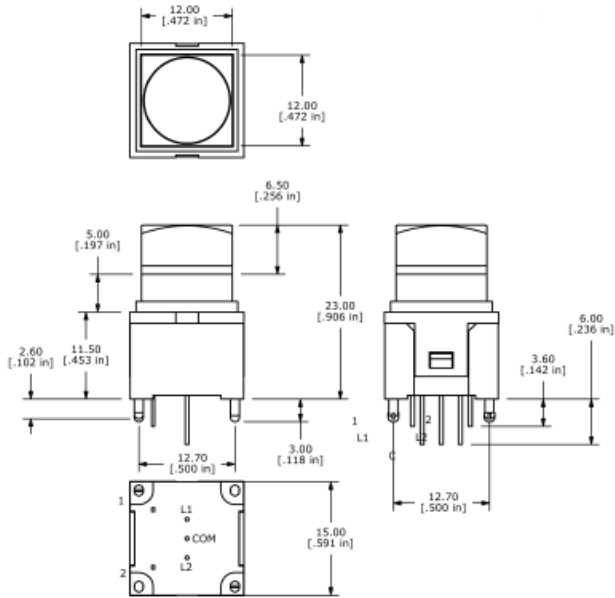
SERIES LP11 SWITCHES



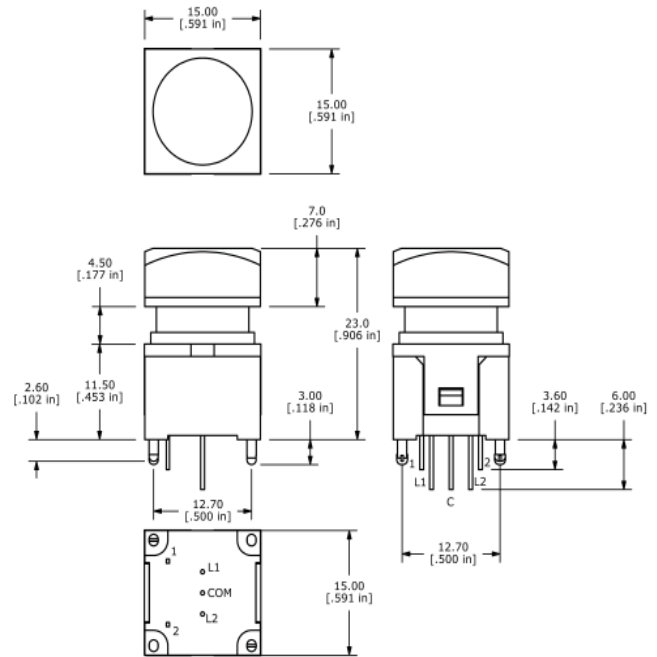
E-SWITCH™

ILLUMINATED PUSHBUTTON

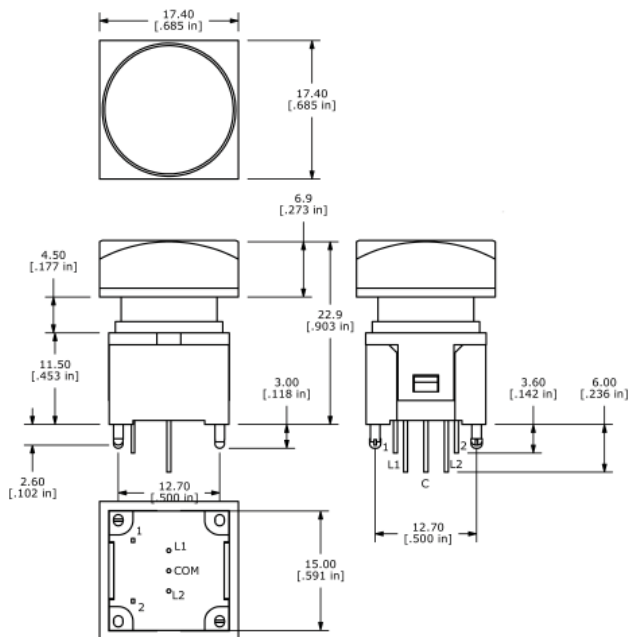
CAP SIZE "A" - 12mm square



CAP SIZE "B" - 15mm square



CAP SIZE "C" - 17.4mm square



X-ON Electronics

Largest Supplier of Electrical and Electronic Components

Click to view similar products for [Pushbutton Switches](#) category:

Click to view products by [E-Switch](#) manufacturer:

Other Similar products are found below :

[8940K2012](#) [LW1L-M1C10V-A](#) [LW1L-M1C70-A](#) [LW2L-A1C20M-GD](#) [LW2L-M1C20M-A](#) [60324L](#) [M22-D-R-GB0/K11](#) [M7E-HRN2](#)
[67021K512](#) [67081K512X](#) [701PB580](#) [7190K101](#) [7199K101](#) [810K12910](#) [810KSV30B](#) [MML21EA2ADK](#) [MML21KA3ABK](#)
[MML23KA3AC05K-001](#) [MML23KW3AA01W](#) [8418K2](#) [8442K3](#) [8450K1](#) [860K11911T01A](#) [861901](#) [861K11911T01A07](#)
[861K13810T00A14](#) [861K13911](#) [8646AB6X718UL](#) [8646ABUL](#) [9001KXRK](#) [907AYY100](#) [PMHD155A1](#) [95-313.000](#)
[9533CD4+U574+U4922](#) [95-414.000](#) [99-450.837](#) [99-453.837](#) [PV3H2B0NN-341](#) [1203MRA](#) [A22NZBGANGA](#) [A22NZBMMNGA](#)
[A22NZBNANGA](#) [A22NZMPATRA](#) [A2PMA1X03EC56](#) [A3A-5123-02](#) [A3A-7140](#) [A3A-7310](#) [A3A-7340](#) [A3U-TMW-A2C-5M](#) [A595](#)