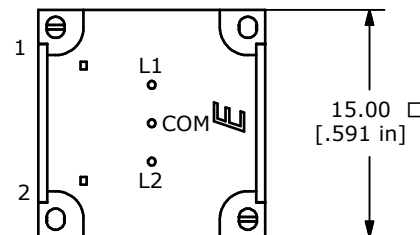
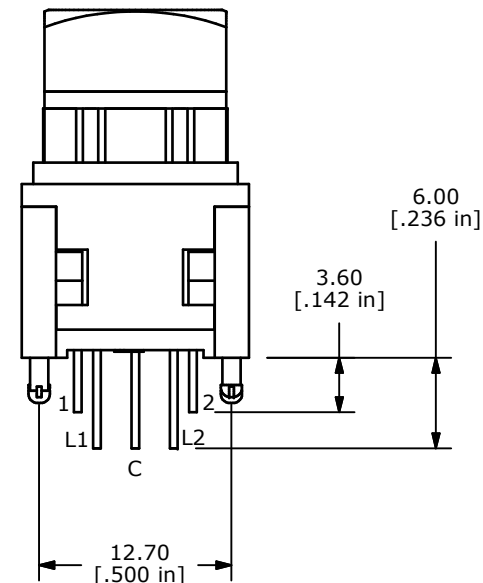
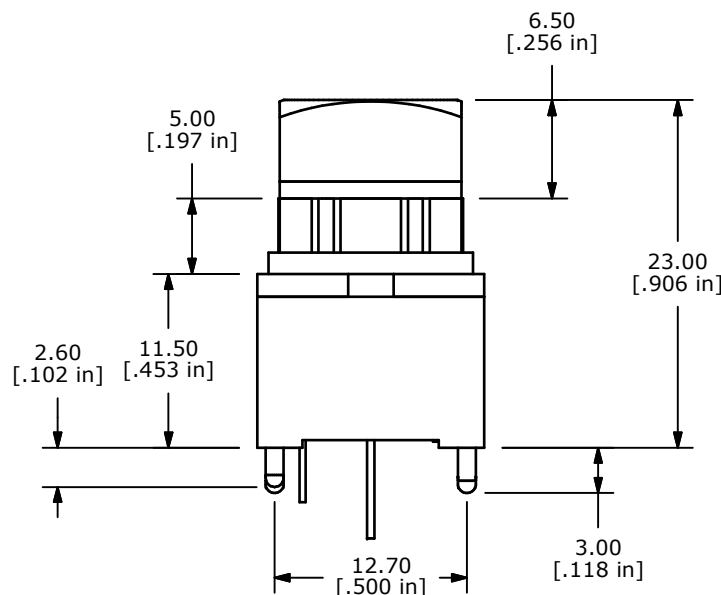
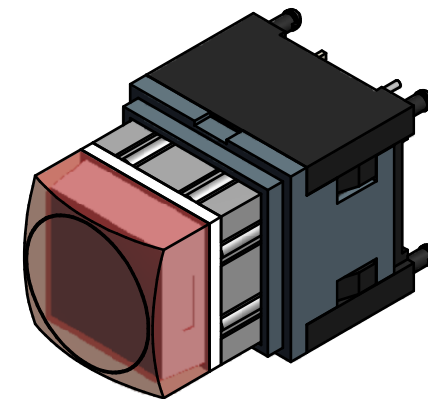
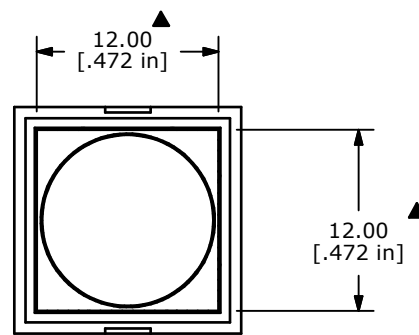


- NOTES:
1. ALL DIMENSIONS IN MM [INCH]
  2. GENERAL TOLERANCE: X.X=±0.4  
X.XX=±0.25
  3. TERM. NOS. FOR REFERENCE ONLY.
  4. RATING: 12VDC, 100mA
  5. CONTACT MATERIAL: GOLD PLATED D
  6. CONTACT RESISTANCE: 200 MILLI-OHM MAX.
  - ▲ 7. INSULATION RESISTANCE: 500VDC, 100 MEGA-OHM MIN.
  8. OPERATING FORCE: 250±100GF
  9. MECHANICAL LIFE: 1,000,000 CYCLES
  10. OPERATING TEMP: -20°C TO +70°C
  11. LED COLORS: RED - GREEN
  12. TRAVEL: 4.50mm±0.20
  13. 2002/95/EC (ROHS) COMPLIANT
  14. ▲ DENOTES CRITICAL PARAMETER.
  - ▲ 15. SWITCH HAS TACTILE FEEDBACK WHEN ACTUATED.



LED SPECS		UNITS	RED	GREEN
FORWARD CURRENT	mA		25	25
FORWARD VOLTAGE @20mA	V		1.9-2.4	2.0-2.4
LUMINOUS INTENSITY @ 10mA	MCD		xx	250

REV	PCR NO	DESCRIPTION	DATE	BY
D	21454	CHANGE CONTACT MATERIAL TO GOLD	5/13/14	EBP
C	19357	UPDATE HOUSING, COVER, PLUNGER	11/08/10	BMA
B	18254	DESCRIPTION WAS LP210A1NASRG	09/19/08	RC
A	18231	New Release	09/02/08	rc

TITLE LP110A1TASRG

SCALE	2	DATE	9/2/2008	DR	rc	DWG	B231001	REV	D
-------	---	------	----------	----	----	-----	---------	-----	---

THE INFORMATION CONTAINED IN THIS DOCUMENT IS PROPRIETARY TO E-SWITCH AND IS NOT TO BE COPIED OR TRANSFERRED

## X-ON Electronics

Largest Supplier of Electrical and Electronic Components

*Click to view similar products for [Pushbutton Switches](#) category:*

*Click to view products by [E-Switch](#) manufacturer:*

Other Similar products are found below :

[8940K2012](#) [LW1L-M1C10V-A](#) [LW1L-M1C70-A](#) [LW2L-A1C20M-GD](#) [LW2L-M1C20M-A](#) [60324L](#) [M22-D-R-GB0/K11](#) [M7E-HRN2](#)  
[67021K512](#) [67081K512X](#) [701PB580](#) [7190K101](#) [7199K101](#) [810K12910](#) [810KSV30B](#) [MML21EA2ADK](#) [MML21KA3ABK](#)  
[MML23KA3AC05K-001](#) [MML23KW3AA01W](#) [8418K2](#) [8442K3](#) [8450K1](#) [860K11911T01A](#) [861901](#) [861K11911T01A07](#)  
[861K13810T00A14](#) [861K13911](#) [8646AB6X718UL](#) [8646ABUL](#) [9001KXRK](#) [907AYY100](#) [PMHD155A1](#) [95-313.000](#)  
[9533CD4+U574+U4922](#) [95-414.000](#) [99-450.837](#) [99-453.837](#) [PV3H2B0NN-341](#) [1203MRA](#) [A22NZBGANGA](#) [A22NZBMMNGA](#)  
[A22NZBNANGA](#) [A22NZMPATRA](#) [A2PMA1X03EC56](#) [A3A-5123-02](#) [A3A-7140](#) [A3A-7310](#) [A3A-7340](#) [A3U-TMW-A2C-5M](#) [A595](#)