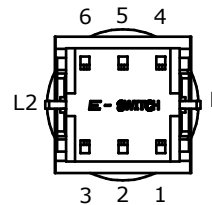
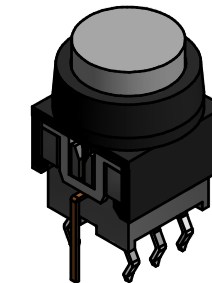
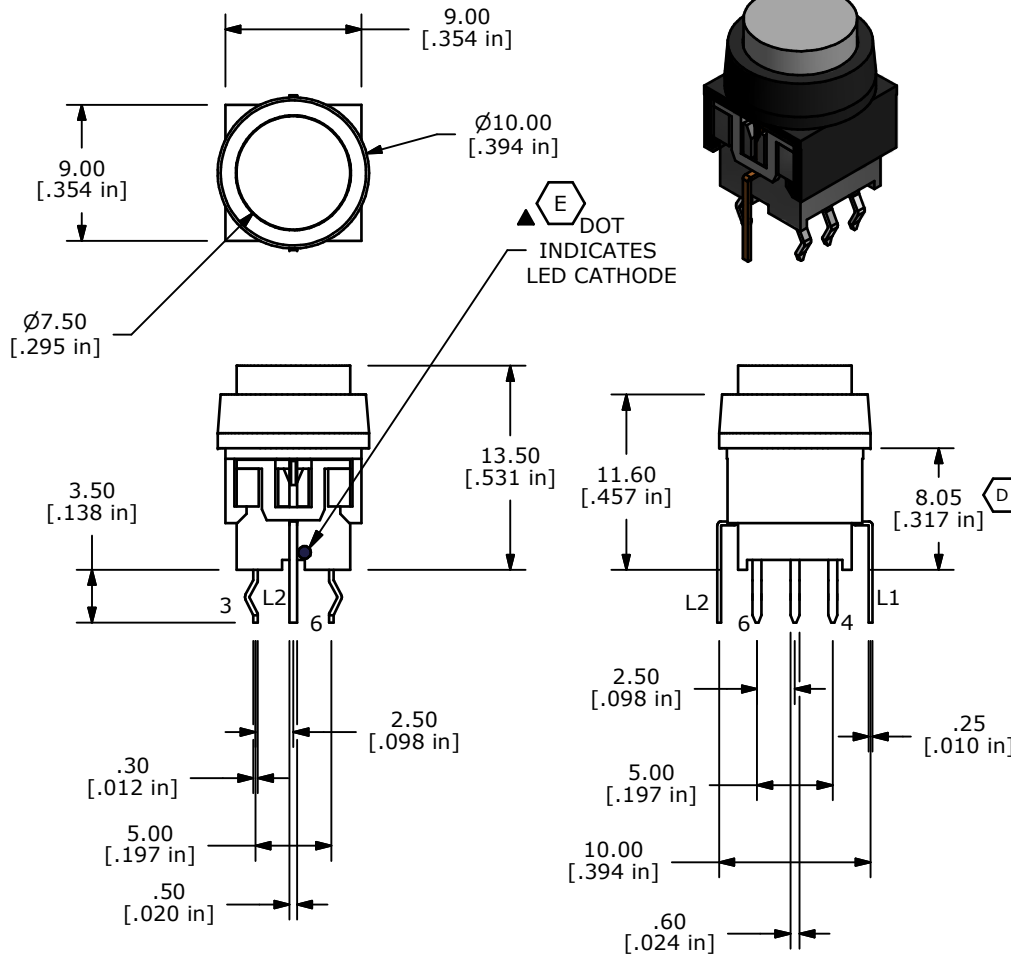


- NOTES:**
1. ALL DIMENSIONS IN MM [INCH]
  2. GENERAL TOLERANCE: X.X=±0.4  
X.XX=±0.25
  3. TERMINAL NUMBERS FOR REF ONLY
  4. CONTACT RATING: CURRENT: 100mA  
VOLTAGE: 30 VDC
  5. OPERATING LIFE: 50,000 MAKE-AND-BREAK CYCLES
  6. INSULATION RESISTANCE: 500VDC, 100M OHM. MIN.
  7. OPERATING FORCE: 250gf ± 100 GRAMS
  8. OPERATING TEMP.: -20°C to 70°C
  - ▲ 9. TRAVEL: MOMENTARY  
1.50 ± 0.3mm FULL TRAVEL
  10. CONTACT RESISTANCE: 50 m OHM. MAX.
  11. ▲ DENOTES CRITICAL PARAMETER.
  12. 2002/95/EC (ROHS) COMPLIANT
  - ▲ 13. LED COLOR: RED



LED SPECS	UNITS	RED
FORWARD CURRENT	mA	20
FORWARD VOLTAGE @20mA	V	1.9-2.5
LUMINOUS INTENSITY @ 10mA	MCD	200



REV	PCR NO	DESCRIPTION	DATE	BY
E	20993	REMOVE "WHITE" FROM LED DOT NOTE	1/30/13	EBP
D	19601	DRAWING UPDATE	1/19/11	BGL
C	18414	PCB LAYOUT SECTION FIXED	2/19/09	BLR
B	18334	update description, was LP40A1BBTR	11/25/08	rc
A	18316	New Release	11/13/08	rc

TITLE LP40A1PBBTR				
SCALE	DATE	DR	DWG	REV
2 = 1	2/19/2009	rc	B240003	E

THE INFORMATION CONTAINED IN THIS DOCUMENT IS PROPRIETARY TO E-SWITCH AND IS NOT TO BE COPIED OR TRANSFERRED

## X-ON Electronics

Largest Supplier of Electrical and Electronic Components

*Click to view similar products for [Pushbutton Switches](#) category:*

*Click to view products by [E-Switch](#) manufacturer:*

Other Similar products are found below :

[8940K2012](#) [LW1L-M1C10V-A](#) [LW1L-M1C70-A](#) [LW2L-A1C20M-GD](#) [LW2L-M1C20M-A](#) [60324L](#) [M22-D-R-GB0/K11](#) [M7E-HRN2](#)  
[67021K512](#) [67081K512X](#) [701PB580](#) [7190K101](#) [7199K101](#) [810K12910](#) [810KSV30B](#) [MML21EA2ADK](#) [MML21KA3ABK](#)  
[MML23KA3AC05K-001](#) [MML23KW3AA01W](#) [8418K2](#) [8442K3](#) [8450K1](#) [860K11911T01A](#) [861901](#) [861K11911T01A07](#)  
[861K13810T00A14](#) [861K13911](#) [8646AB6X718UL](#) [8646ABUL](#) [9001KXRK](#) [907AYY100](#) [PMHD155A1](#) [95-313.000](#)  
[9533CD4+U574+U4922](#) [95-414.000](#) [99-450.837](#) [99-453.837](#) [PV3H2B0NN-341](#) [1203MRA](#) [A22NZBGANGA](#) [A22NZBMMNGA](#)  
[A22NZBNANGA](#) [A22NZMPATRA](#) [A2PMA1X03EC56](#) [A3A-5123-02](#) [A3A-7140](#) [A3A-7310](#) [A3A-7340](#) [A3U-TMW-A2C-5M](#) [A595](#)