

# LP6 SERIES PUSHBUTTON SWITCH

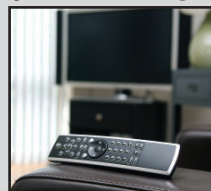
ANTI-VANDAL SWITCHES  
 DETECTOR SWITCHES  
 DIP SWITCHES  
 KEYLOCK SWITCHES  
 NAVIGATION SWITCHES  
**PUSHBUTTON SWITCHES**  
 ROCKER SWITCHES  
 ROTARY SWITCHES  
 SLIDE SWITCHES  
 SNAP ACTION SWITCHES  
 TACTILE SWITCHES  
 TOGGLE SWITCHES  
 CAP OPTIONS



## APPLICATIONS / MARKETS



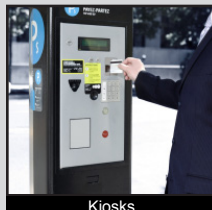
Audio / Visual



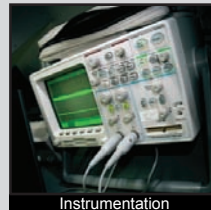
Consumer Electronics



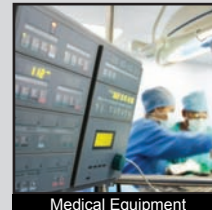
Vending Machines



Kiosks



Instrumentation



Medical Equipment

**RoHS**

## SPECIFICATIONS

**Electrical Rating:** 12mA @ 12VDC  
**Mechanical Life:** 200,000 Cycles  
**Electrical Life:** 200,000 Cycles  
**Contact Resistance:** 50mΩ Max. initial  
**Insulation Resistance:** 100 MΩ Min. @ 500VDC  
**Dielectric Strength:** 500VAC  
**Operating/Storage Temperature:** -20°C to 70°C  
**Travel:** 2.20mm  
**Contact Arrangement:** SPST, DPST  
**Actuation Force:** SPST: 150 gf; DPST: 200 gf

## FEATURES & BENEFITS

- Single pole or double pole functions
- 15mm square, sculptured cap
- Multiple color options including RGB color

## PART NUMBER CONFIGURATOR

Series	Mechanical Configuration	Circuit Options	Cap Size Options	Cap Configuration Options	LED Color Options*
<input type="text" value="LP"/> <input type="text" value="6"/>	<input type="text" value="OA"/>	<input type="text" value="1"/>	<input type="text" value="A"/>	<input type="text" value="S"/>	<input type="text" value="RR"/>
LP6	OA - Momentary	1 - SPST 2 - DPST	A - 15mm square	S - Sculptured	RR - Red-Red RG - Red-Green RB - Red-Blue RY - Red-Yellow RW - Red-White BB - Blue-Blue BW - Blue-White GG - Green-Green GB - Green-Blue GW - Green-White YY - Yellow-Yellow YG - Yellow-Green YB - Yellow-Blue YW - Yellow-White WW - White-White RGB - Red-Green-Blue

\* Please refer to individual part number drawings for LED specifications.

*Specifications subject to change without notice*



**E-SWITCH®**

www.e-switch.com

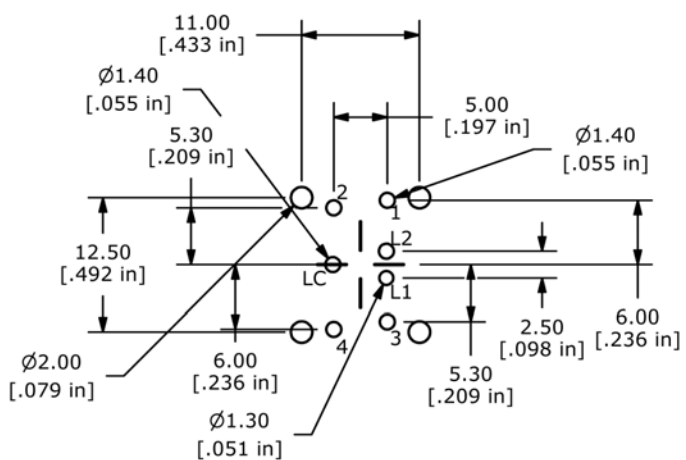
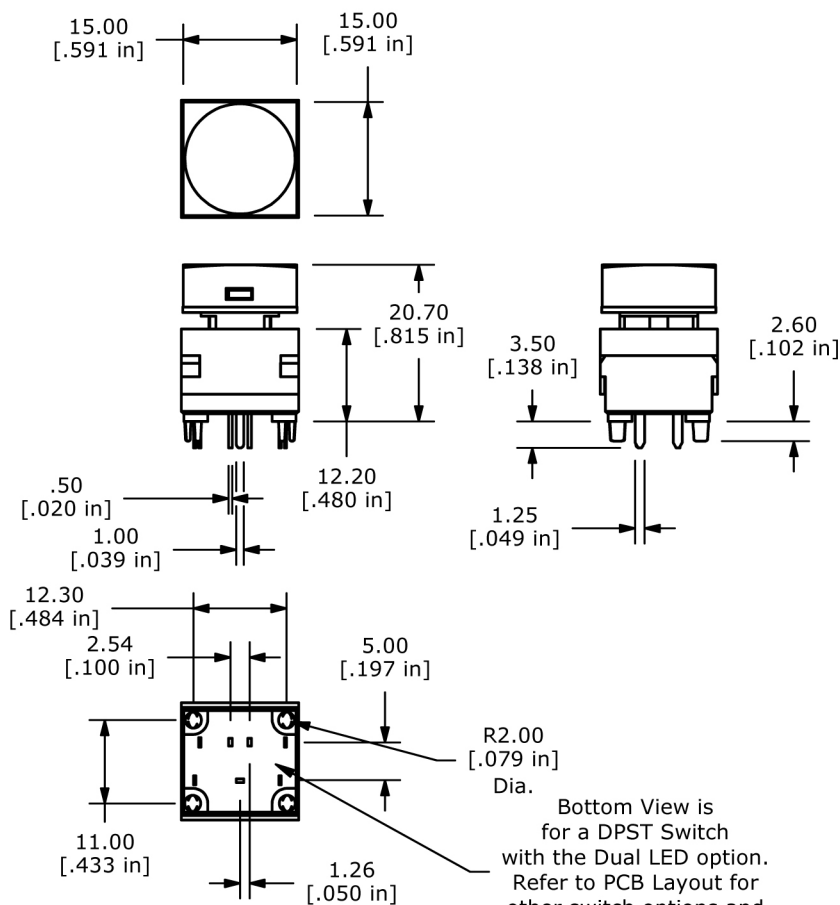
800.867.2717

2

# LP6 SERIES PUSHBUTTON SWITCH

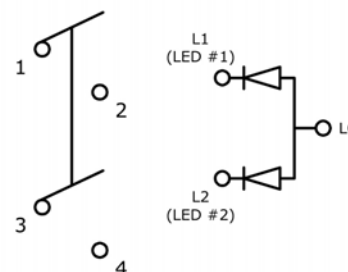
## BODY DIMENSIONS

### DUAL LED



PCB Layout  
Dual LED  
DPST with Dual LED Layout is Shown  
For SPST holes 3 & 4 are not required.

### PCB LAYOUT



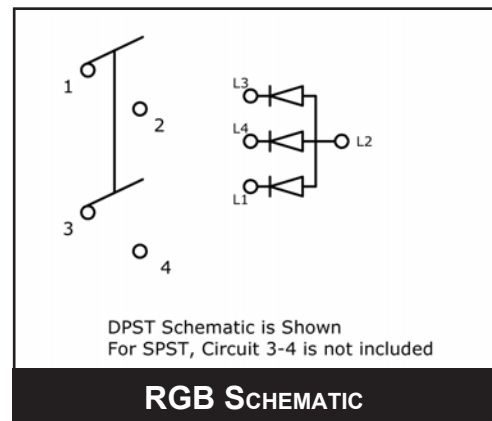
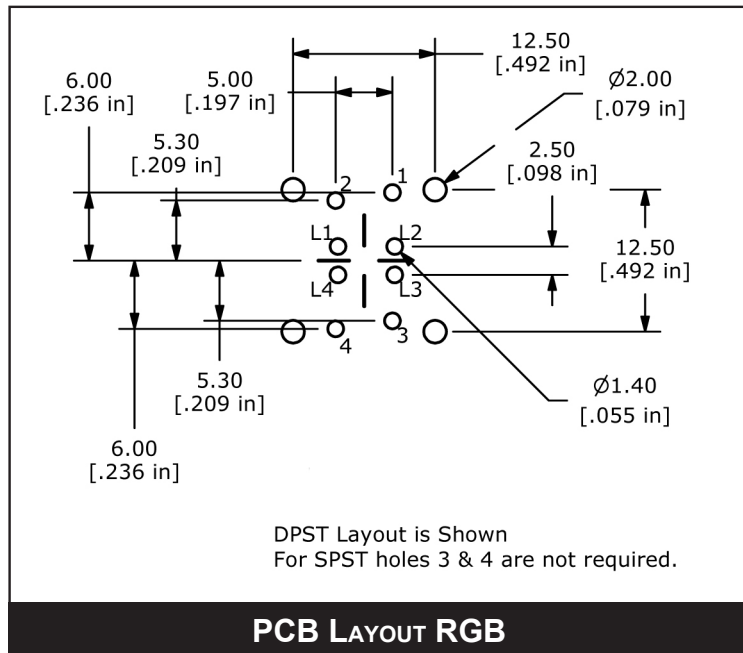
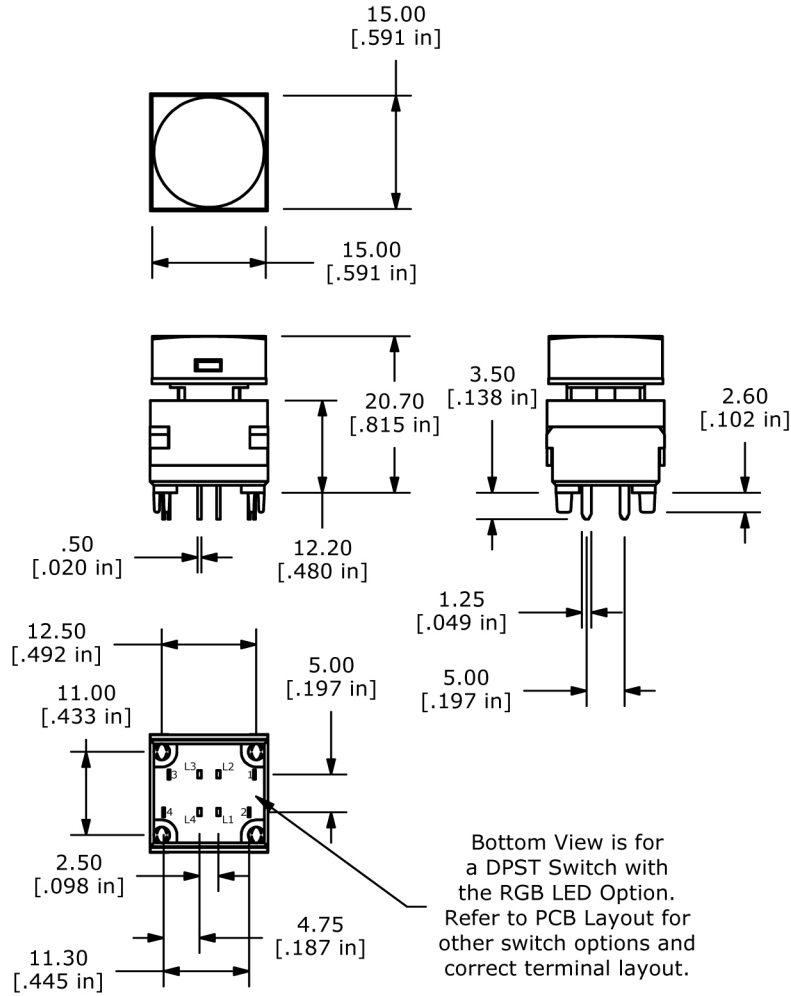
DPST with Dual LED Circuit is shown  
For SPST the circuit 3, 4 is not included

### SCHEMATIC



# LP6 SERIES PUSHBUTTON SWITCH

## BODY DIMENSIONS RGB LED



## X-ON Electronics

Largest Supplier of Electrical and Electronic Components

*Click to view similar products for [Pushbutton Switches](#) category:*

*Click to view products by [E-Switch](#) manufacturer:*

Other Similar products are found below :

[8940K2012](#) [LW1L-M1C10V-A](#) [LW1L-M1C70-A](#) [LW2L-A1C20M-GD](#) [LW2L-M1C20M-A](#) [60324L](#) [M22-D-R-GB0/K11](#) [M7E-HRN2](#)  
[67021K512](#) [67081K512X](#) [701PB580](#) [7190K101](#) [7199K101](#) [810K12910](#) [810KSV30B](#) [MML21EA2ADK](#) [MML21KA3ABK](#)  
[MML23KA3AC05K-001](#) [MML23KW3AA01W](#) [8418K2](#) [8442K3](#) [8450K1](#) [860K11911T01A](#) [861901](#) [861K11911T01A07](#)  
[861K13810T00A14](#) [861K13911](#) [8646AB6X718UL](#) [8646ABUL](#) [9001KXRK](#) [907AYY100](#) [PMHD155A1](#) [95-313.000](#)  
[9533CD4+U574+U4922](#) [95-414.000](#) [99-450.837](#) [99-453.837](#) [PV3H2B0NN-341](#) [1203MRA](#) [A22NZBGANGA](#) [A22NZBMMNGA](#)  
[A22NZBNANGA](#) [A22NZMPATRA](#) [A2PMA1X03EC56](#) [A3A-5123-02](#) [A3A-7140](#) [A3A-7310](#) [A3A-7340](#) [A3U-TMW-A2C-5M](#) [A595](#)