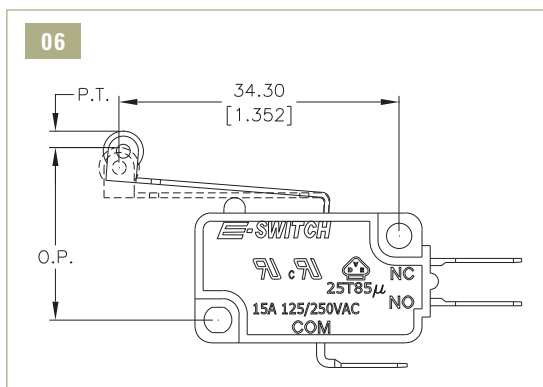
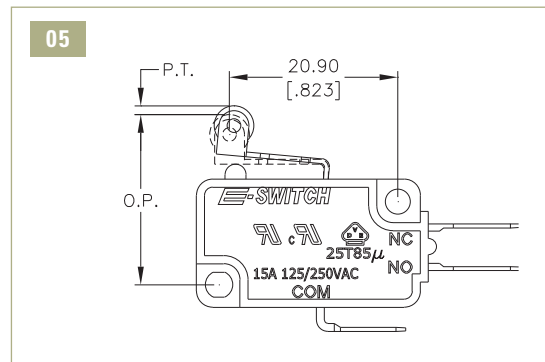
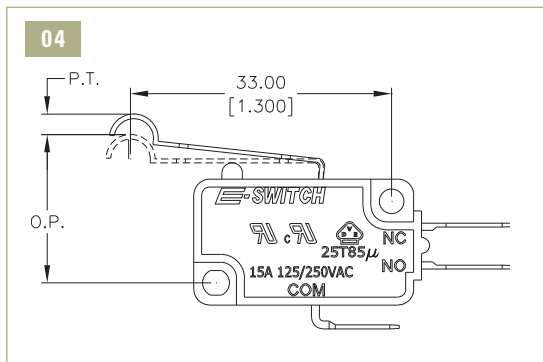
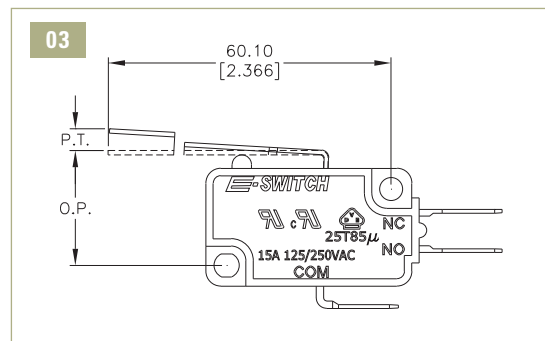
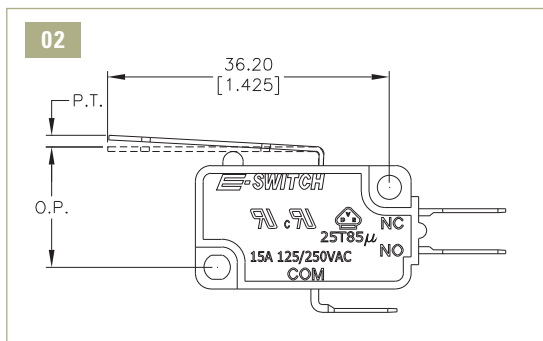
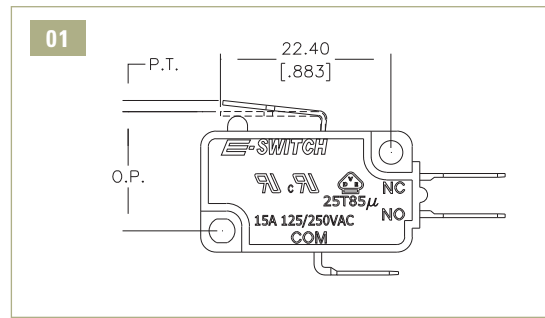
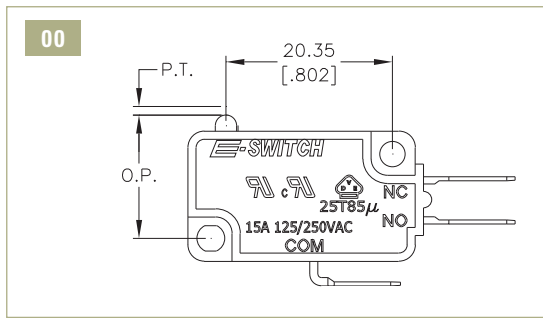


SERIES LS SWITCHES

SNAP ACTION SWITCHES

ACTUATOR OPTIONS



| ACTUATOR AND OPERATING FORCE CHART | | | | | |
|------------------------------------|------------------------|----------|----------|------------|--------------------|
| Actuator | Actuation/Return Force | | | Pre-Travel | Operating Position |
| 00 | 100+/-30 | 160+/-40 | 250+/-50 | 2.0 max | 14.7+/-0.5 |
| 01 | 100+/-30 | 160+/-40 | 250+/-50 | 2.0 max | 15.3+/-0.5 |
| 02 | 45+/-20 | 75+/-25 | 120+/-40 | 4.1 max | 15.5+/-0.8 |
| 03 | 25+/-10 | 40+/-15 | 60+/-25 | 8.5 max | 15.3+/-2.0 |
| 04 | 50+/-20 | 85+/-30 | 140+/-40 | 5.2 max | 19.0+/-1.5 |
| 05 | 100+/-30 | 160+/-40 | 250+/-50 | 2.7 max | 20.7+/-0.8 |
| 06 | 45+/-15 | 75+/-25 | 120+/-40 | 5.5 max | 20.7+/-1.5 |

PT= Pretravel OP= Operating Point OT= Over Travel

TACT SWITCHES

NAVIGATION SWITCHES

PUSHBUTTON SWITCHES

TOGGLE SWITCHES

ROCKER SWITCHES

SLIDE SWITCHES

SNAP-ACTION SWITCHES

DIP SWITCHES

KEYLOCK SWITCHES

ROTARY SWITCHES

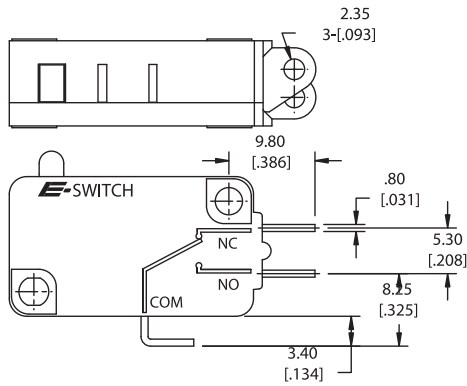
DETECTOR SWITCHES

CAP OPTIONS

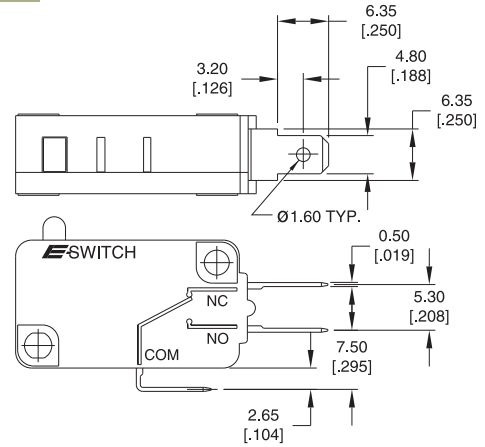


TERMINATION OPTIONS

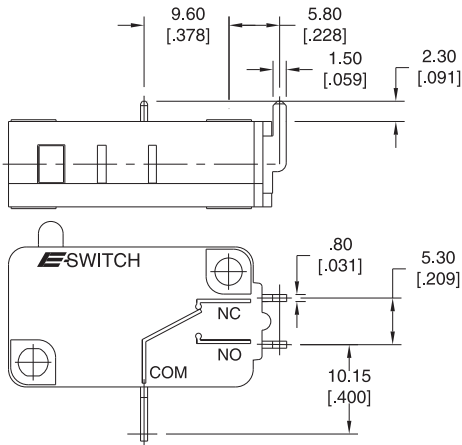
S1 SOLDER LUG



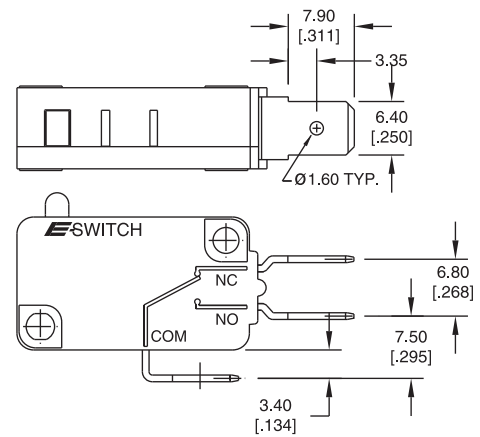
C1 0.187" QUICK CONNECT



V1 RIGHT ANGLE PCB PIN



C2 0.250" QUICK CONNECT



TACT SWITCHES

NAVIGATION SWITCHES

PUSHBUTTON SWITCHES

TOGGLE SWITCHES

ROCKER SWITCHES

SLIDE SWITCHES

SNAP-ACTION SWITCHES

DIP SWITCHES

KEYLOCK SWITCHES

ROTARY SWITCHES

DETECTOR SWITCHES

CAP OPTIONS

X-ON Electronics

Largest Supplier of Electrical and Electronic Components

Click to view similar products for [Basic / Snap Action Switches](#) category:

Click to view products by [E-Switch](#) manufacturer:

Other Similar products are found below :

[5SM901-S12](#) [5SM9-S12N195](#) [01.098.1358.1](#) [602EN532](#) [602EN535-RB](#) [602HE5-RB1](#) [604HE162](#) [604HE223-6B](#) [624HE17-RB](#) [6HM82](#)
[6HM89](#) [6SE1](#) [6SX1-H58](#) [70500216](#) [70599106](#) [MBD5B1](#) [MBH2731](#) [73-316-0012](#) [EXD-AR20](#) [79211923](#) [79218589](#) [7AS12](#)
[MIL30126AB6BBMD4A12XAU](#) [ML-1155](#) [ML-1376](#) [831010C3.0](#) [831090C2.EL](#) [83131904](#) [84212012](#) [8AS239](#) [8HM73-3](#) [8SX26-H33](#)
[914CE1-6G](#) [PL-100](#) [11SM1077-H4](#) [11SM1077-H58](#) [11SM1-TN107](#) [11SM405](#) [11SM8423-H2](#) [11SX37-T](#) [11SX48-H58](#) [11SM2442-T](#)
[11SM76-T](#) [11SM77-H58](#) [11SM77-T](#) [11SM863-T](#) [11SM866](#) [A7CN-1M-1-LEFT](#) [A831700C7.0](#) [121EN187-R](#)