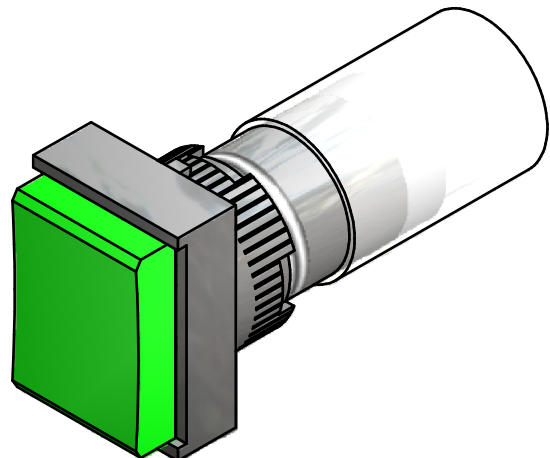
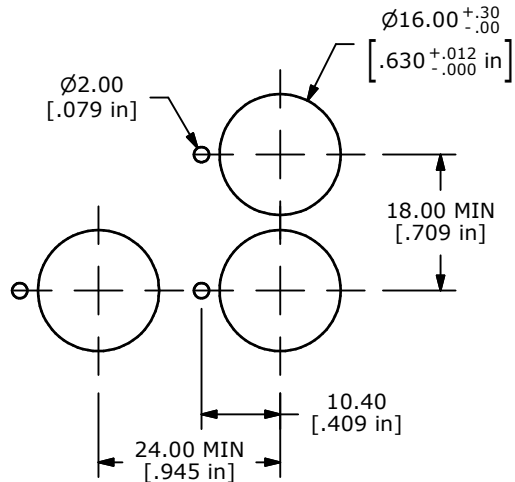
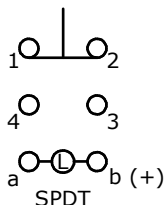


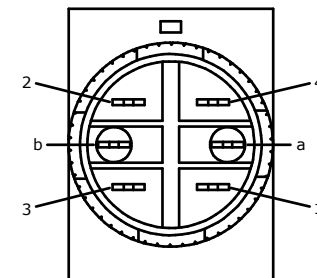
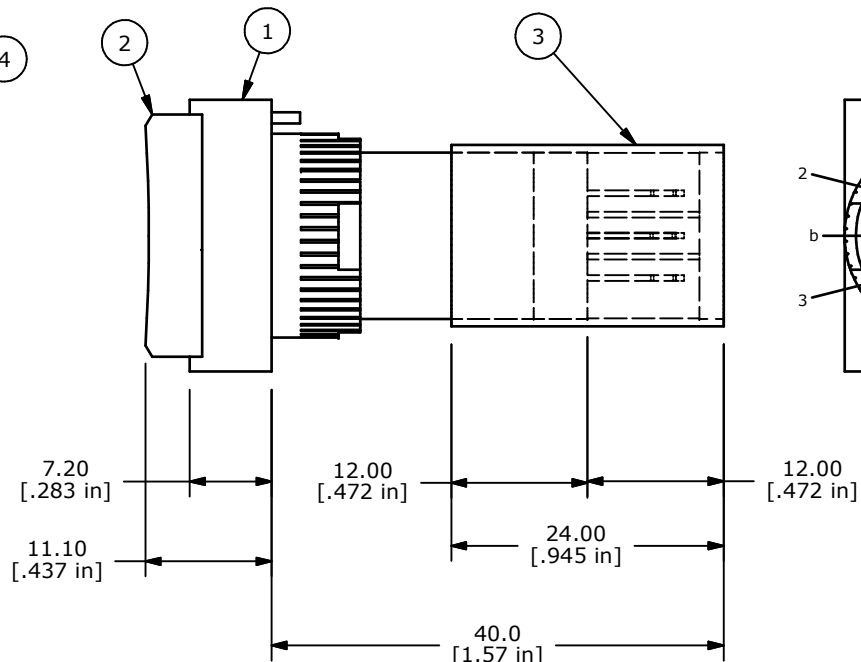
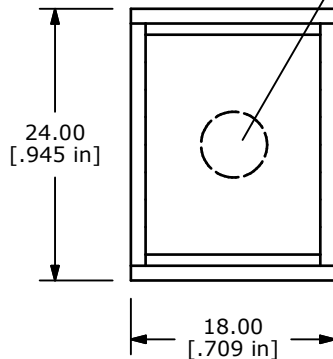
ITEM	QTY	PART NUMBER	DESCRIPTION
1	1	F040012	P16OAT11
2	1	F052202	50-002-02 OPAQUE CONCAVE GREEN LENS
3	1	F051601	P16 PLASTIC TERMINAL PROTECTOR
4	1	F050405	50-004-05 28VDC (40mA) INCANDESCENT



PANEL MOUNTING



CONTACT CONFIGURATION



- NOTE:
1. ALL DIMENSIONS IN MM [INCH]
  2. GENERAL TOLERANCE: X.X=±0.4  
X.XX=±0.25
  3. TERMINAL NUMBERS FOR REF ONLY
  4. MECHANICAL LIFE: 2,000,000 OPERATIONS
  5. CONTACT RATING: 5A @250VAC, 6A @125VAC  
6A @24VDC
  6. CONTACT RESISTANCE: 20 Milli-OHM MAX.
  7. MOUNTING PANEL THICKNESS: 0.5 - 5.0mm
  8. SEAL RATING: IP40
  9. INSULATION RESISTANCE: 1,000 Mega-OHM MIN.
  10. OPERATING TEMP.: -25°C to 55°C
  11. TRAVEL: 3,0mm FULL TRAVEL
  - ▲ 12. LAMP VOLTAGE: 28V 40mA INCANDESCENT
  13. ▲ DENOTES CRITICAL PARAMETER.
  14. 2002/95/EC (ROHS) COMPLIANT



TITLE P16OAT11CGRN				
SCALE 2:1	DATE 10/21/2010	DR BLR	DWG XF0829P	REV A

A	19335	RELEASED FOR PRODUCTION	10/21/10	BLR
REV	PCR NO	DESCRIPTION	DATE	BY

THE INFORMATION CONTAINED IN THIS DOCUMENT IS PROPRIETARY TO E-SWITCH AND IS NOT TO BE COPIED OR TRANSFERRED

## X-ON Electronics

Largest Supplier of Electrical and Electronic Components

*Click to view similar products for [Pushbutton Switches](#) category:*

*Click to view products by [E-Switch](#) manufacturer:*

Other Similar products are found below :

[8940K2012](#) [LW1L-M1C10V-A](#) [LW1L-M1C70-A](#) [LW2L-A1C20M-GD](#) [LW2L-M1C20M-A](#) [60324L](#) [M22-D-R-GB0/K11](#) [M7E-HRN2](#)  
[67021K512](#) [67081K512X](#) [701PB580](#) [7190K101](#) [7199K101](#) [810K12910](#) [810KSV30B](#) [MML21EA2ADK](#) [MML21KA3ABK](#)  
[MML23KA3AC05K-001](#) [MML23KW3AA01W](#) [8418K2](#) [8442K3](#) [8450K1](#) [860K11911T01A](#) [861901](#) [861K11911T01A07](#)  
[861K13810T00A14](#) [861K13911](#) [8646AB6X718UL](#) [8646ABUL](#) [9001KXRK](#) [907AYY100](#) [PMHD155A1](#) [95-313.000](#)  
[9533CD4+U574+U4922](#) [95-414.000](#) [99-450.837](#) [99-453.837](#) [PV3H2B0NN-341](#) [1203MRA](#) [A22NZBGANGA](#) [A22NZBMMNGA](#)  
[A22NZBNANGA](#) [A22NZMPATRA](#) [A2PMA1X03EC56](#) [A3A-5123-02](#) [A3A-7140](#) [A3A-7310](#) [A3A-7340](#) [A3U-TMW-A2C-5M](#) [A595](#)