



SERIES P197 SWITCHES

POWER PUSHBUTTON SWITCHES



FEATURES & BENEFITS

- ▶ Power pushbutton rated up to 10amps
- ▶ Latching & momentary functions
- ▶ Panel & PC board mount options

APPLICATIONS/MARKETS

- ▶ Telecommunications
- ▶ Networking
- ▶ Computers/servers
- ▶ Performance audio
- ▶ Instrumentation
- ▶ Low power on/off designs
- ▶ External hard drives and modems

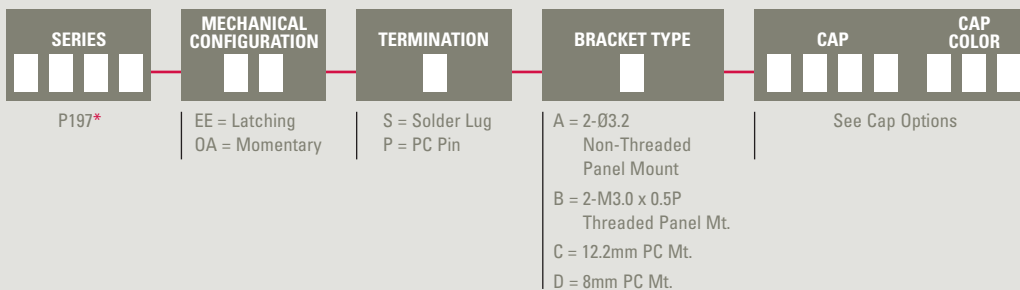
SPECIFICATIONS

Contact Rating:	10A @ 125 VAC - UL, CUL 5A @ 250 VAC - UL, CUL, VDE TV-5 @ 125 VAC - UL, CUL In Rush, 80A @ 250 VAC - VDE
Life Expectancy:	10,000 cycles
Contact Resistance:	100mΩ max. typical; initial @ 2-4 VDC
Insulation Resistance:	1,000M Ω min.
Dielectric Strength:	> 1,500 volts 1 minute > 3,000 volts between poles
Actuation Force:	300 ±100 gram force
Operating Temperature:	-20°C to +85°C

MATERIALS

Housing:	6/6 Nylon
Actuator:	Acetal
Bracket:	Tin plated steel
Contacts:	Silver plated copper alloy
Terminals:	Silver plated copper alloy

HOW TO ORDER

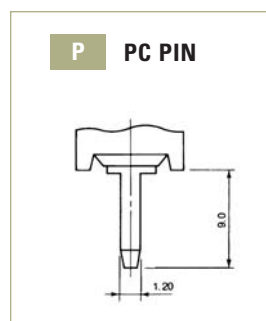
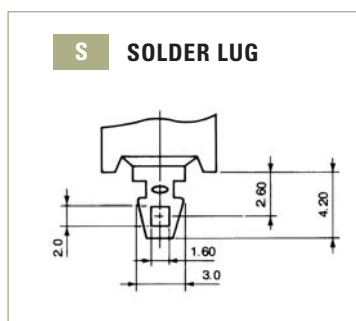


▶ ▶ ▶ **Example Ordering Number**
P197-EE-P-B-TA12-BLU

*Note: Also available in 2 pole version P297.
Contact E-Switch for more information.

Specifications subject to change without notice.

TERMINATION OPTIONS



X-ON Electronics

Largest Supplier of Electrical and Electronic Components

Click to view similar products for [Pushbutton Switches](#) category:

Click to view products by [E-Switch](#) manufacturer:

Other Similar products are found below :

[8940K2012](#) [LW1L-M1C10V-A](#) [LW1L-M1C70-A](#) [LW2L-A1C20M-GD](#) [LW2L-M1C20M-A](#) [60324L](#) [M22-D-R-GB0/K11](#) [M7E-HRN2](#)
[67021K512](#) [67081K512X](#) [701PB580](#) [7190K101](#) [7199K101](#) [810K12910](#) [810KSV30B](#) [MML21EA2ADK](#) [MML21KA3ABK](#)
[MML23KA3AC05K-001](#) [MML23KW3AA01W](#) [8418K2](#) [8442K3](#) [8450K1](#) [860K11911T01A](#) [861901](#) [861K11911T01A07](#)
[861K13810T00A14](#) [861K13911](#) [8646AB6X718UL](#) [8646ABUL](#) [9001KXRK](#) [907AYY100](#) [PMHD155A1](#) [95-313.000](#)
[9533CD4+U574+U4922](#) [95-414.000](#) [99-450.837](#) [99-453.837](#) [PV3H2B0NN-341](#) [1203MRA](#) [A22NZBGANGA](#) [A22NZBMMNGA](#)
[A22NZBNANGA](#) [A22NZMPATRA](#) [A2PMA1X03EC56](#) [A3A-5123-02](#) [A3A-7140](#) [A3A-7310](#) [A3A-7340](#) [A3U-TMW-A2C-5M](#) [A595](#)