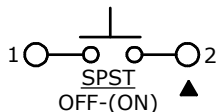


RECOMMENDED PANEL MOUNTING

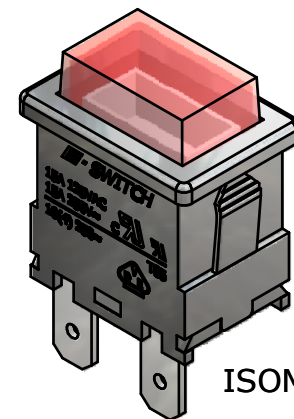
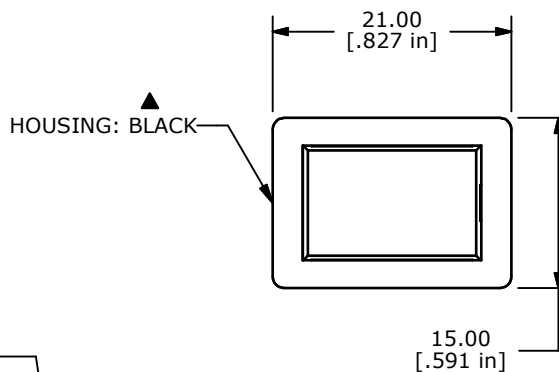
| PANEL THICKNESS | X |
|-----------------|---------------|
| 0.75 - 1.25 | 19.10 - 19.20 |
| 1.25 - 2.00 | 19.30 - 19.40 |
| 2.00 - 3.00 | 19.50 - 19.60 |



| SWITCH FUNCTION | |
|-----------------|--------|
| POS. 1 | POS. 2 |
| | |
| OFF | (ON) |
| OPEN | 1-2 |

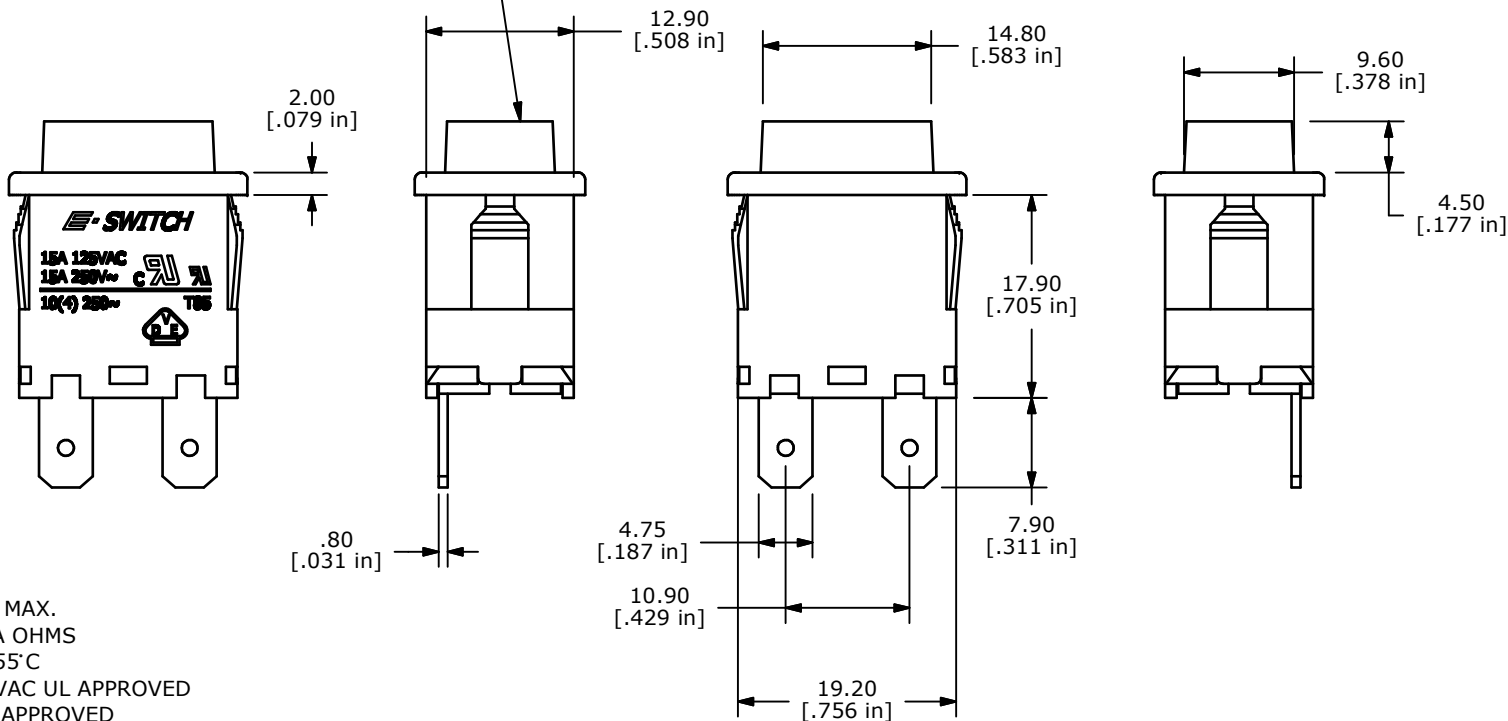
(ON) = MOMENTARY

- NOTES:
- ALL DIMENSIONS IN MM [INCH]
 - GENERAL TOLERANCE: X.X \pm 0.4
X.XX \pm 0.25
 - MECHANICAL LIFE: 30,000
 - ELECTRICAL LIFE: 10,000
 - CONTACT RESISTANCE: 20 Milli OHMS MAX.
 - INSULATION RESISTANCE: 1000 MEGA OHMS
 - OPERATING TEMPERATURE: -10°C TO 55°C
 - CONTACT RATING: 15A-250 VAC, 125VAC UL APPROVED
10A 250VAC, VDE APPROVED
 - DIELECTRIC STRENGTH: 1500V FOR 1 MIN.
 - ▲ DENOTES CRITICAL PARAMETER
 - LAMP TYPE: NONE
 - 2002/95/EC (RoHS) COMPLIANT
 - OPERATING FORCE: 750 \pm 100grams



ISOMETRIC

ACTUATOR:
RED ILL.



TITLE PB1973BBLKRILEF0

| | | | | |
|-----|--------|-------------------------|----------|-----|
| A | 18690 | Released For Production | 10/26/09 | BLR |
| REV | PCR NO | DESCRIPTION | DATE | BY |

| | | | | |
|-------|------------|----|---------|-----|
| SCALE | DATE | DR | DWG | REV |
| 1.5 | 10/26/2009 | BF | M197315 | A |

THE INFORMATION CONTAINED IN THIS DOCUMENT IS PROPRIETARY TO E-SWITCH AND IS NOT TO BE COPIED OR TRANSFERRED

X-ON Electronics

Largest Supplier of Electrical and Electronic Components

Click to view similar products for [Pushbutton Switches](#) category:

Click to view products by [E-Switch](#) manufacturer:

Other Similar products are found below :

[8940K2012](#) [LW1L-M1C10V-A](#) [LW1L-M1C70-A](#) [LW2L-A1C20M-GD](#) [LW2L-M1C20M-A](#) [60324L](#) [M22-D-R-GB0/K11](#) [M7E-HRN2](#)
[67021K512](#) [67081K512X](#) [701PB580](#) [7190K101](#) [7199K101](#) [810K12910](#) [810KSV30B](#) [MML21EA2ADK](#) [MML21KA3ABK](#)
[MML23KA3AC05K-001](#) [MML23KW3AA01W](#) [8418K2](#) [8442K3](#) [8450K1](#) [860K11911T01A](#) [861901](#) [861K11911T01A07](#)
[861K13810T00A14](#) [861K13911](#) [8646AB6X718UL](#) [8646ABUL](#) [9001KXRK](#) [907AYY100](#) [PMHD155A1](#) [95-313.000](#)
[9533CD4+U574+U4922](#) [95-414.000](#) [99-450.837](#) [99-453.837](#) [PV3H2B0NN-341](#) [1203MRA](#) [A22NZBGANGA](#) [A22NZBMMNGA](#)
[A22NZBNANGA](#) [A22NZMPATRA](#) [A2PMA1X03EC56](#) [A3A-5123-02](#) [A3A-7140](#) [A3A-7310](#) [A3A-7340](#) [A3U-TMW-A2C-5M](#) [A595](#)