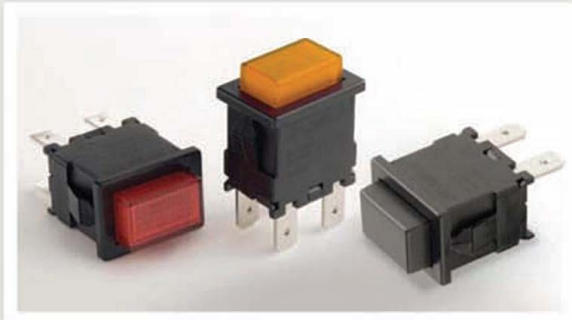




SERIES PB 1973 SWITCHES

PUSHBUTTON SWITCHES - ILLUMINATED PANEL MOUNT



SPECIFICATIONS

Contact Rating: 15A @ 250 VAC UL listed
10A @ 125 VDC VDE listed

Life Expectancy (Mechanical): ≥30,000 cycles

Life Expectancy (Electrical): ≥10,000 cycles

Contact Resistance: < 20mΩ

Insulation Resistance: 1,000MΩ min.

Dielectric Strength: > 1,500 volts

Operating Temperature: -10°C to +53°C

FEATURES & BENEFITS

- ▶ Panel Mount
- ▶ Illuminated
- ▶ Many color options available

APPLICATIONS/MARKETS

- ▶ Telecommunications
- ▶ Networking
- ▶ Computers/servers
- ▶ Performance audio
- ▶ Instrumentation
- ▶ On/Off designs
- ▶ External hard drives and modems

MATERIALS

Housing: Nylon

Actuator: Polycarbonate

Moving Contact: Silver alloy

Terminals: Brass, silver plated

HOW TO ORDER

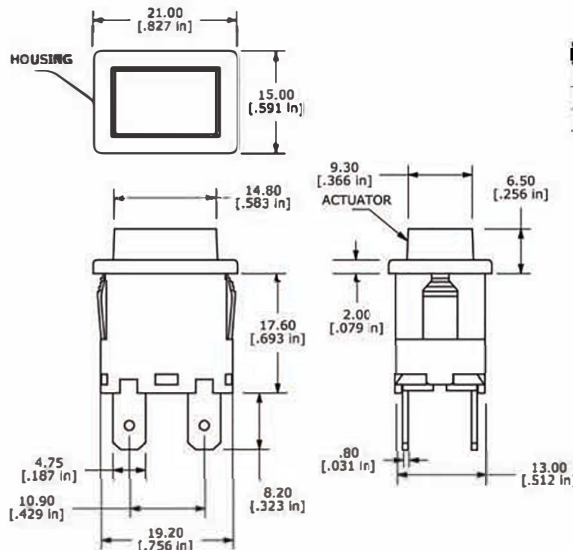
SERIES PB	MODEL NO. □□□□	CIRCUIT □	HOUSING COLOR □□□□	ACTUATOR COLOR □□□□	MARKING □	TERMINATION □	LAMP TYPE □
	1973	A = SPST ON-OFF B = SPST (ON)-OFF C = SPST (III) ON-OFF D = SPST (III) (ON)-OFF E = DPST ON-OFF F = DPST (ON)-OFF G = DPST (III) ON-OFF H = DPST (III) (ON)-OFF	BLK = Black WHT = White	BLK = Black (Opaque) WHT = White (Opaque) GIL = Green Illuminated RIL = Red Illuminated YIL = Yellow Illuminated	E = No Marking	F = .187 x .032 Faston	D = No Lamp 1 = 125 VAC Neon 2 = 250 VAC Neon 3 = 12 VDC Incandescent 4 = 24 VDC Incandescent

Example Ordering Number

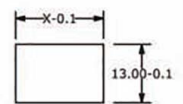
PB-1973-B-BLK-RIL-E-F-2

Specifications subject to change without notice 10.30.2017

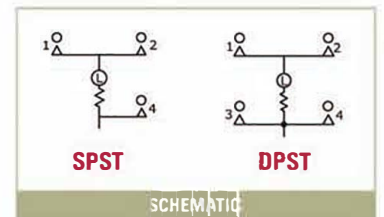
PB 1973



Panel Thickness	X
0.75-1.25	19.2
1.25-2.00	19.4
2.00-3.00	19.6



PANEL MOUNTING



X-ON Electronics

Largest Supplier of Electrical and Electronic Components

Click to view similar products for [Pushbutton Switches](#) category:

Click to view products by [E-Switch](#) manufacturer:

Other Similar products are found below :

[8940K2012](#) [LW1L-M1C10V-A](#) [LW1L-M1C70-A](#) [LW2L-A1C20M-GD](#) [LW2L-M1C20M-A](#) [60324L](#) [M22-D-R-GB0/K11](#) [M7E-HRN2](#)
[67021K512](#) [67081K512X](#) [701PB580](#) [7190K101](#) [7199K101](#) [810K12910](#) [810KSV30B](#) [MML21EA2ADK](#) [MML21KA3ABK](#)
[MML23KA3AC05K-001](#) [MML23KW3AA01W](#) [8418K2](#) [8442K3](#) [8450K1](#) [860K11911T01A](#) [861901](#) [861K11911T01A07](#)
[861K13810T00A14](#) [861K13911](#) [8646AB6X718UL](#) [8646ABUL](#) [9001KXRK](#) [907AYY100](#) [PMHD155A1](#) [95-313.000](#)
[9533CD4+U574+U4922](#) [95-414.000](#) [99-450.837](#) [99-453.837](#) [PV3H2B0NN-341](#) [1203MRA](#) [A22NZBGANGA](#) [A22NZBMMNGA](#)
[A22NZBNANGA](#) [A22NZMPATRA](#) [A2PMA1X03EC56](#) [A3A-5123-02](#) [A3A-7140](#) [A3A-7310](#) [A3A-7340](#) [A3U-TMW-A2C-5M](#) [A595](#)