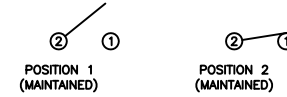


**SCHEMATIC**



**SPECIFICATIONS**

**FUNCTION:**  
1P1T OFF-ON

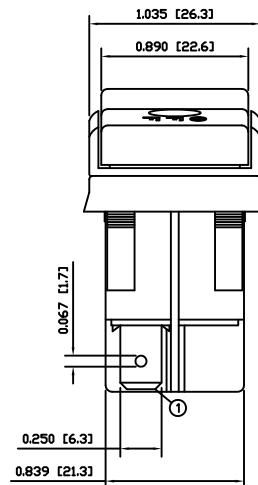
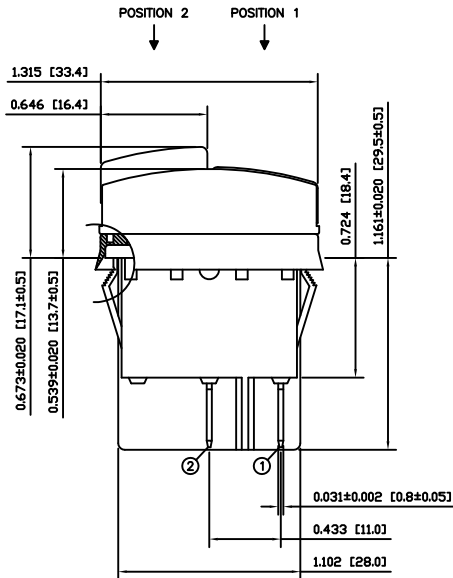
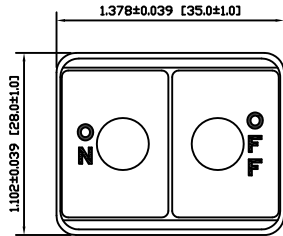
**RATINGS:**  
ANSI/UL 508 (E195908):  
20A 125VAC [UR]  
12A 250VAC [UR]

**ELECTRICAL LIFE:**  
6,000 Cycles [UR]

**TEMPERATURE:**  
0°C to 85°C [UR]

**INGRESS PROTECTION:**  
IP54

**APPROVALS:**  
 **RoHS**  
COMPLIANT



**COLORS AND MARKINGS**

**BODY:**  
White

**ACTUATOR:**  
Black

**MARKING:**  
ON/OFF Horizontal Stacked (Z02)

**MARKING COLOR:**  
White

**MATERIALS**

**BODY:**  
Polyamide 6/6 (PA66+10%GF), UL94 V-0

**BEZEL:**  
Polyamide 6 (PA6), UL94 V-2

**ACTUATORS:**  
Polyamide 6/6 (PA66), UL94 V-2

**ACTUATION MEMBER:**  
Polyamide 6/6 (PA66), UL94 V-0

**SPRING:**  
Steel (65Mn)

**GASKET:**  
Polyvinyl Chloride (PVC)

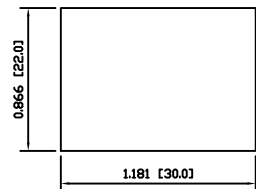
**O-RING:**  
Silicone Rubber

**CONTACTS:**  
Silver Clad Copper (T2)

**MOBILE CONTACT:**  
Silver Plated Copper (T2)

**TERMINALS:**  
Silver Plated Copper (H62)  
Silver Plated Brass (T2)

**SUGGESTED PANEL CUTOUT**



BODY	A	09/08/21	CAB
COLORS	A	09/08/21	CAB
MATERIALS	A	09/08/21	CAB
SPECIFICATIONS	B	10/04/27	CAB
REFERENCE	REV.	DATE	BY

THE INFORMATION CONTAINED IN THIS DOCUMENT IS PROPRIETARY TO E-SWITCH AND IS NOT TO BE COPIED OR TRANSFERRED

B	CORRECTED TEMPERATURE RANGE	19037	10/04/27	CAB
A	INITIAL RELEASE	PCRD0087	09/08/24	CAB
REV.	DESCRIPTION	PCR	DATE	DRAWN BY

DIMENSIONS	INCHES [MILLIMETERS]
GENERAL TOLERANCES	±0.008 [±0.2] / ±1'
SCALE	DRAWING NOT TO SCALE

<b>PB241D212Z02T</b>		
ITEM NUMBER	DATE	REVISION
34-PB241D212Z02T	APRIL 27, 2010	B

## X-ON Electronics

Largest Supplier of Electrical and Electronic Components

*Click to view similar products for [Pushbutton Switches](#) category:*

*Click to view products by [E-Switch](#) manufacturer:*

Other Similar products are found below :

[8940K2012](#) [LW1L-M1C10V-A](#) [LW1L-M1C70-A](#) [LW2L-A1C20M-GD](#) [LW2L-M1C20M-A](#) [60324L](#) [M22-D-R-GB0/K11](#) [M7E-HRN2](#)  
[67021K512](#) [67081K512X](#) [701PB580](#) [7190K101](#) [7199K101](#) [810K12910](#) [810KSV30B](#) [MML21EA2ADK](#) [MML21KA3ABK](#)  
[MML23KA3AC05K-001](#) [MML23KW3AA01W](#) [8418K2](#) [8442K3](#) [8450K1](#) [860K11911T01A](#) [861901](#) [861K11911T01A07](#)  
[861K13810T00A14](#) [861K13911](#) [8646AB6X718UL](#) [8646ABUL](#) [9001KXRK](#) [907AYY100](#) [PMHD155A1](#) [95-313.000](#)  
[9533CD4+U574+U4922](#) [95-414.000](#) [99-450.837](#) [99-453.837](#) [PV3H2B0NN-341](#) [1203MRA](#) [A22NZBGANGA](#) [A22NZBMMNGA](#)  
[A22NZBNANGA](#) [A22NZMPATRA](#) [A2PMA1X03EC56](#) [A3A-5123-02](#) [A3A-7140](#) [A3A-7310](#) [A3A-7340](#) [A3U-TMW-A2C-5M](#) [A595](#)