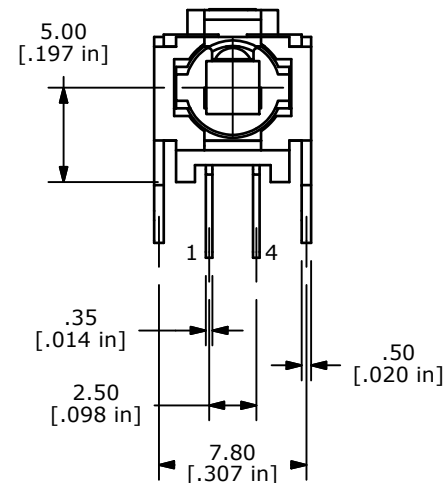
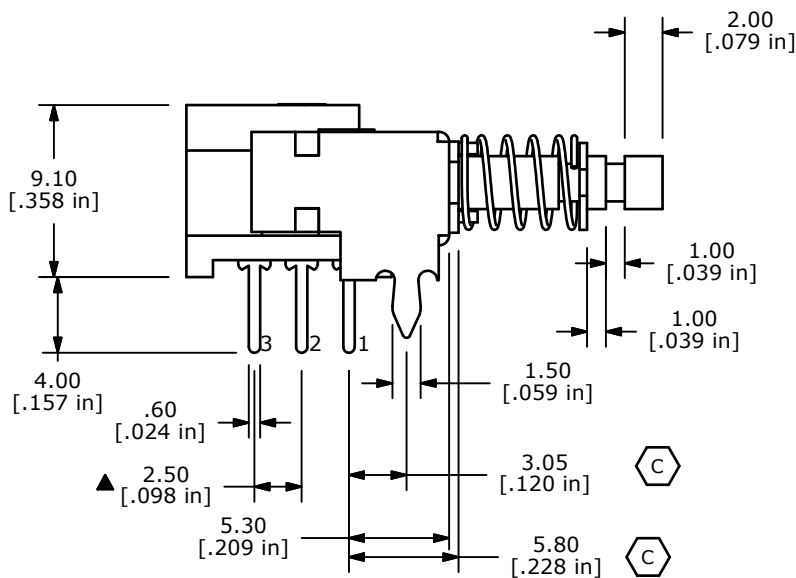


- NOTES:
1. ALL DIMENSIONS IN MM [INCH]
 2. GENERAL TOLERANCE: X.X=±0.4
X.XX=±0.25
 3. TERM. NOS. FOR REFERENCE ONLY.
 4. RATING 0.1A @30V DC
 - ▲ 5. MATERIALS:
CONTACT/TERMINALS: SILVER PLATE
HOUSING: PBT UL94HB
BASE: PA66 UL94HB
ACTUATOR: POM
 6. CONTACT RESISTANCE: 100 mΩ (INITIAL)
 - ▲ 7. TIMING: SHORTING (MBB)
 8. OPERATING FORCE: 230±50GF
 9. TRAVEL: MOMENTARY
3MM OVERALL
 10. ELECTRICAL LIFE: 10000 CYCLES
 11. OPERATING TEMP: -20°C TO +70°C
 12. ▲ DENOTES CRITICAL PARAMETER.
 13. 2002/95/EC (ROHS) COMPLIANT



| | | | | |
|-----|--------|-----------------------------------|---------|-----|
| D | 19753 | CHANGE DIMENSION POINT TO BRACKET | 3/10/11 | BGL |
| C | 1970 | CIRCUIT DIAGRAM AND DIM CHANGES | 2/10/11 | BGL |
| B | 15942 | MOVE KZX 0.45MM CLOSER TO SWITCH | 4/4/06 | BK |
| A | 15635 | RELEASED FOR PRODUCTION | 1/5/06 | PH |
| REV | PCR NO | DESCRIPTION | DATE | BY |

THE INFORMATION CONTAINED IN THIS DOCUMENT IS PROPRIETARY TO E-SWITCH AND IS NOT TO BE COPIED OR TRANSFERRED



TITLE PBH2UOAKZXSAGX

| | | | | |
|-------|----------|----|---------|-----|
| SCALE | DATE | DR | DWG | REV |
| 2.5:1 | 1/5/2006 | PH | Q960016 | D |

X-ON Electronics

Largest Supplier of Electrical and Electronic Components

Click to view similar products for [Pushbutton Switches](#) category:

Click to view products by [E-Switch](#) manufacturer:

Other Similar products are found below :

[8940K2012](#) [LW1L-M1C10V-A](#) [LW1L-M1C70-A](#) [LW2L-A1C20M-GD](#) [LW2L-M1C20M-A](#) [60324L](#) [M22-D-R-GB0/K11](#) [M7E-HRN2](#)
[67021K512](#) [67081K512X](#) [701PB580](#) [7190K101](#) [7199K101](#) [810K12910](#) [810KSV30B](#) [MML21EA2ADK](#) [MML21KA3ABK](#)
[MML23KA3AC05K-001](#) [MML23KW3AA01W](#) [8418K2](#) [8442K3](#) [8450K1](#) [860K11911T01A](#) [861901](#) [861K11911T01A07](#)
[861K13810T00A14](#) [861K13911](#) [8646AB6X718UL](#) [8646ABUL](#) [9001KXRK](#) [907AYY100](#) [PMHD155A1](#) [95-313.000](#)
[9533CD4+U574+U4922](#) [95-414.000](#) [99-450.837](#) [99-453.837](#) [PV3H2B0NN-341](#) [1203MRA](#) [A22NZBGANGA](#) [A22NZBMMNGA](#)
[A22NZBNANGA](#) [A22NZMPATRA](#) [A2PMA1X03EC56](#) [A3A-5123-02](#) [A3A-7140](#) [A3A-7310](#) [A3A-7340](#) [A3U-TMW-A2C-5M](#) [A595](#)