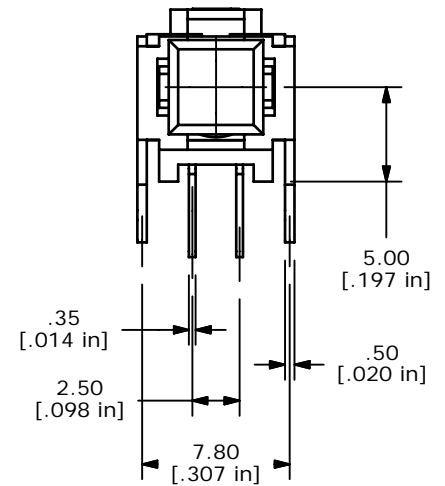
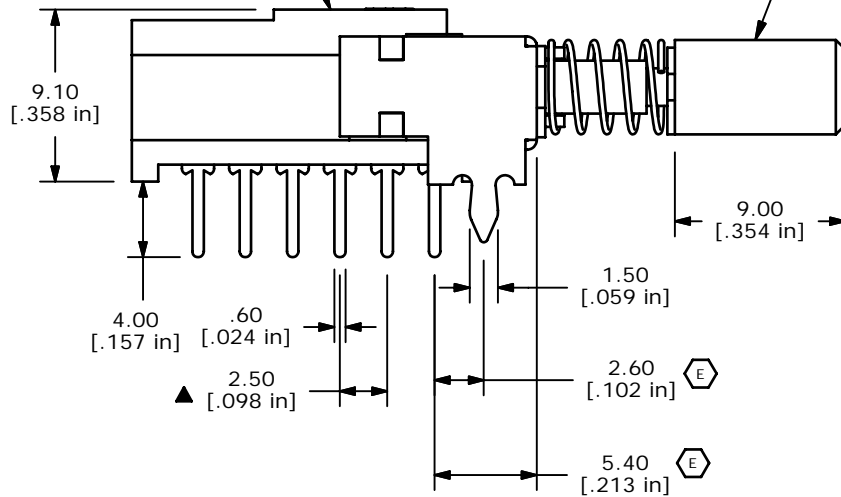


- CIRCUIT: 4PDT**
- NOTES:
 1. ALL DIMENSIONS IN MM [INCH]
 2. GENERAL TOLERANCE: X.X±0.4
 X.XX±0.25
 3. TERM. NOS. FOR REFERENCE ONLY.
 4. RATING 0.1A @30V DC

- ▲ 5. MATERIALS:
 CONTACT/TERMINALS: SILVER PLATE
 HOUSING: PBT UL94HB
 BASE: PA66 UL94HB
 ACTUATOR: POM
 CAP: ABS UL94VO
6. CONTACT RESISTANCE: 100 mΩ (INITIAL)
 ▲ 7. TIMING: NON-SHORTING
 8. OPERATING FORCE: 280± 50GF
 9. TRAVEL: LATCHING
 2MM TO LOCK
 3MM OVERALL
 10. ELECTRICAL LIFE: 10000 CYCLES
 11. OPERATING TEMP: -20°C TO +70°C
 11. 2002/95/EC (ROHS) COMPLIANT
 13. ▲ DENOTES CRITICAL PARAMETER.

PBH4UEEKZXNAGX ▲ (Q960009)
 1SBLK Q800310 ▲



E	15942	MOVE KZX 0.45MM CLOSER TO SWITCH	4/4/06	BK
D	15681	ADD CRITICAL TO 2.50 DIM	1/16/06	PH
C	15336	ADDED ROHS NOTE, EDIT PC MOUNT.	9/27/05	PH
B	15260	REVISED CAP DESCRIPTION, NOTE 5	9/8/05	PH
A	15208	RELEASED FOR PRODUCTION	8/26/05	PH
REV	PCR NO	DESCRIPTION	DATE	BY

E-SWITCH®

TITLE PBH4UEEKZXNAG1SBLK

SCALE	DATE	DR	DWG	REV
2.5:1	08/26/05	PH	XQ0011P	E

THE INFORMATION CONTAINED IN THIS DOCUMENT IS PROPRIETARY TO E-SWITCH AND IS NOT TO BE COPIED OR TRANSFERRED

X-ON Electronics

Largest Supplier of Electrical and Electronic Components

Click to view similar products for [Pushbutton Switches](#) category:

Click to view products by [E-Switch](#) manufacturer:

Other Similar products are found below :

[8940K2012](#) [LW1L-M1C10V-A](#) [LW1L-M1C70-A](#) [LW2L-A1C20M-GD](#) [LW2L-M1C20M-A](#) [60324L](#) [M22-D-R-GB0/K11](#) [M7E-HRN2](#)
[67021K512](#) [67081K512X](#) [701PB580](#) [7190K101](#) [7199K101](#) [810K12910](#) [810KSV30B](#) [MML21EA2ADK](#) [MML21KA3ABK](#)
[MML23KA3AC05K-001](#) [MML23KW3AA01W](#) [8418K2](#) [8442K3](#) [8450K1](#) [860K11911T01A](#) [861901](#) [861K11911T01A07](#)
[861K13810T00A14](#) [861K13911](#) [8646AB6X718UL](#) [8646ABUL](#) [9001KXRK](#) [907AYY100](#) [PMHD155A1](#) [95-313.000](#)
[9533CD4+U574+U4922](#) [95-414.000](#) [99-450.837](#) [99-453.837](#) [PV3H2B0NN-341](#) [1203MRA](#) [A22NZBGANGA](#) [A22NZBMMNGA](#)
[A22NZBNANGA](#) [A22NZMPATRA](#) [A2PMA1X03EC56](#) [A3A-5123-02](#) [A3A-7140](#) [A3A-7310](#) [A3A-7340](#) [A3U-TMW-A2C-5M](#) [A595](#)