

ISOMETRIC

NOTES:

1. ALL DIMENSIONS IN MM [INCH]
2. GENERAL TOLERANCE: X.X=±0.4
X.XX=±0.25
3. TERM. NOS. FOR REFERENCE ONLY.
4. RATING 0.1A @30V DC

▲ 5. MATERIALS:

CONTACT/TERMINALS: SILVER PLATE
 (B) HOUSING: PBT UL94HB
 BASE: PA66 UL94HB
 ACTUATOR: POM

6. CONTACT RESISTANCE: 100 MILLI-OHM (INITIAL) (C)

▲ 7. TIMING: NON-SHORTING

8. OPERATING FORCE: 380± 50GF

9. TRAVEL: LATCHING

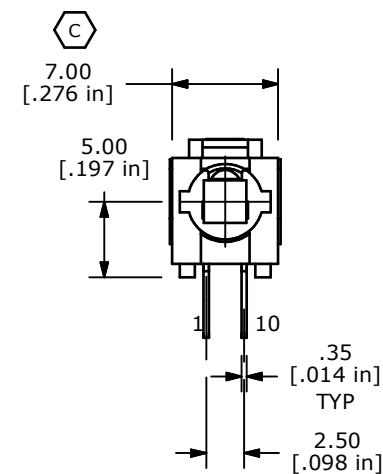
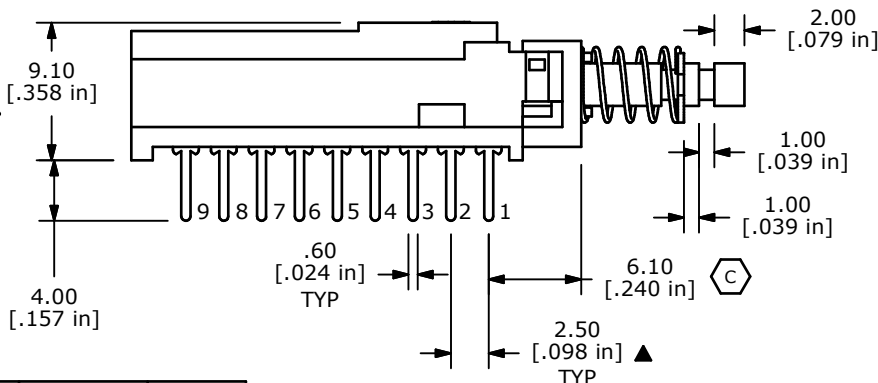
2MM TO LOCK
 3MM OVERALL

10. ELECTRICAL LIFE: 10000 CYCLES

11. OPERATING TEMP: -20°C TO +70°C (C)

12. 2002/95/EC (ROHS) COMPLIANT (E)

13. ▲ DENOTES CRITICAL PARAMETER.



G	21043	10.80mm WAS 10.20mm	2/19/13	EBP
F	19672	UPDATE CIRCUIT DIAGRAM	2/10/11	BGL
E	15943	ADD ROHS NOTE	4/4/06	BK
D	15553	DIM FROM 0.90, 29.80 TO 1.00, 29.70	11/21/05	PH
C	14893	CHANGED NOTES AND DIMENSIONS	5/3/05	JB
B	14790	ADD MATERIALS TO NOTES	3/29/05	AR
A	14691	RELEASED FOR PRODUCTION	2/14/05	AR
REV	PCR NO	DESCRIPTION	DATE	BY



TITLE PBH6UEENAGX

SCALE	DATE	DR	DWG	REV
2:1	2/2/2005	AR	Q960004	G

THE INFORMATION CONTAINED IN THIS DOCUMENT IS PROPRIETARY TO E-SWITCH AND IS NOT TO BE COPIED OR TRANSFERRED

X-ON Electronics

Largest Supplier of Electrical and Electronic Components

Click to view similar products for [Pushbutton Switches](#) category:

Click to view products by [E-Switch](#) manufacturer:

Other Similar products are found below :

[8940K2012](#) [LW1L-M1C10V-A](#) [LW1L-M1C70-A](#) [LW2L-A1C20M-GD](#) [LW2L-M1C20M-A](#) [60324L](#) [M22-D-R-GB0/K11](#) [M7E-HRN2](#)
[67021K512](#) [67081K512X](#) [701PB580](#) [7190K101](#) [7199K101](#) [810K12910](#) [810KSV30B](#) [MML21EA2ADK](#) [MML21KA3ABK](#)
[MML23KA3AC05K-001](#) [MML23KW3AA01W](#) [8418K2](#) [8442K3](#) [8450K1](#) [860K11911T01A](#) [861901](#) [861K11911T01A07](#)
[861K13810T00A14](#) [861K13911](#) [8646AB6X718UL](#) [8646ABUL](#) [9001KXRK](#) [907AYY100](#) [PMHD155A1](#) [95-313.000](#)
[9533CD4+U574+U4922](#) [95-414.000](#) [99-450.837](#) [99-453.837](#) [PV3H2B0NN-341](#) [1203MRA](#) [A22NZBGANGA](#) [A22NZBMMNGA](#)
[A22NZBNANGA](#) [A22NZMPATRA](#) [A2PMA1X03EC56](#) [A3A-5123-02](#) [A3A-7140](#) [A3A-7310](#) [A3A-7340](#) [A3U-TMW-A2C-5M](#) [A595](#)