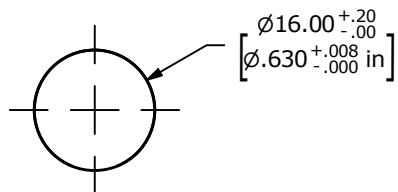
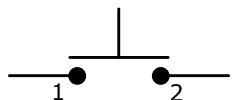


SWITCH	WIRE	LENGTH
SW1-1	WIRE, 20AWG AWM UL3385, BLACK	500.0 [19.7 in]
SW1-2	WIRE, 20AWG AWM UL3385, BLACK	500.0 [19.7 in]

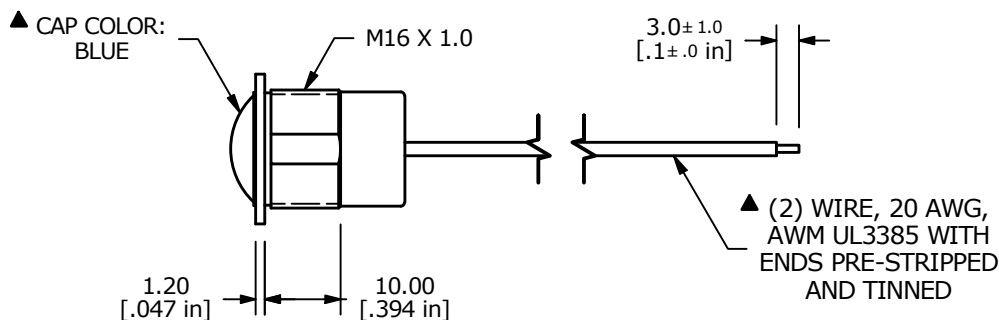
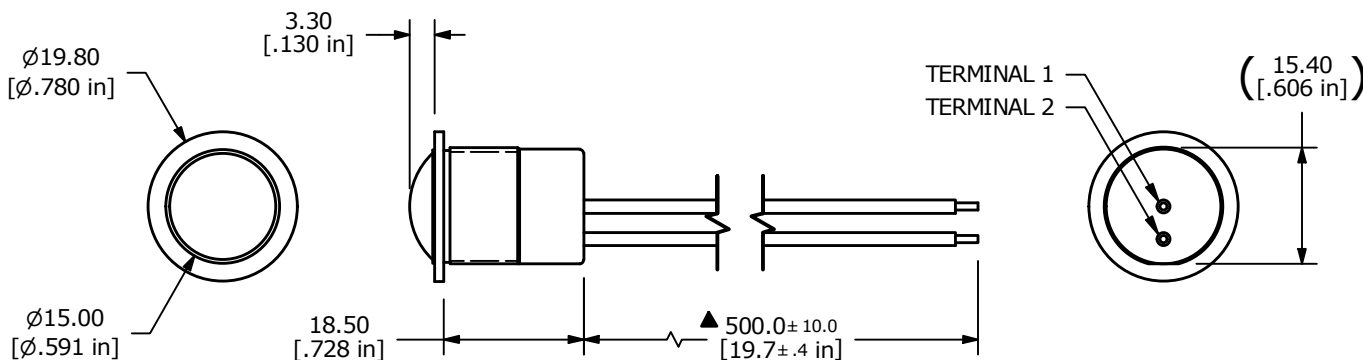
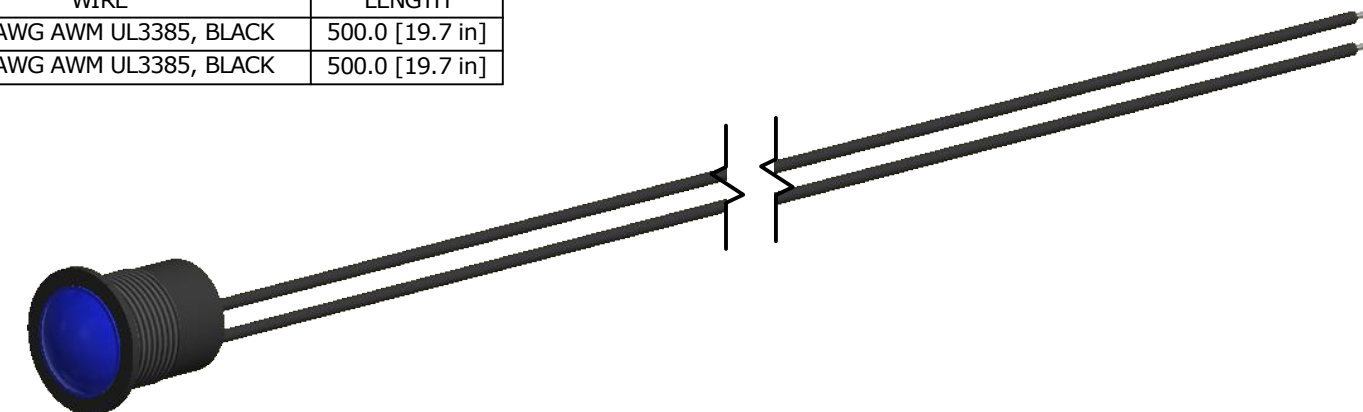


RECOMMENDED PANEL CUTOUT
PANEL THICKNESS 1-7mm



SPST, OFF-(ON)
() DENOTES
MOMENTARY

- NOTES:
- ALL DIMENSIONS IN MM [INCH]
 - GENERAL TOLERANCE: X.X = ± 0.4
X.XX = ± 0.25
 - TERM. NUMBERS FOR REF. ONLY.
 - FUNCTION: SPST OFF-(ON)
 - RATING: 2A @ 24VDC
 - TRAVEL: 1.5 mm
 - CONTACT RESISTANCE: 100 mΩ MAX. @ 1A/12VDC
 - DIELECTRIC STRENGTH: 500Vrms @ SEA LEVEL
 - INSULATION RESISTANCE: 100 MΩ MIN. @ 500VDC
 - ELECTRICAL LIFE: 10,000 CYCLES
 - ▲ DENOTES CRITICAL PARAMETER
 - OPERATING TEMP: -20°C to 65°C
 - INGRESS PROTECTION: IP67
 - ACTUATION FORCE: 7N ±2N
 - TORQUE: 0.5-1Nm MAX.
 - SUPPLIED HARDWARE: O-RING AND HEXNUT



OBJECT ID
000026281

A	24630	NEW RELEASE	12/8/20	MJR
REV	PCR NO	DESCRIPTION	DATE	BY

TITLE				
PMV6DW2BBLU				
SCALE	DATE	DR	DWG	REV
1:1	12/8/2020	MJR	T966010	A

THE INFORMATION CONTAINED IN THIS DOCUMENT IS PROPRIETARY TO E-SWITCH AND IS NOT TO BE COPIED OR TRANSFERRED

X-ON Electronics

Largest Supplier of Electrical and Electronic Components

Click to view similar products for [Pushbutton Switches](#) category:

Click to view products by [E-Switch](#) manufacturer:

Other Similar products are found below :

[8971K1133](#) [LW2L-M1C20M-A](#) [M22-D-R-GB0/K11](#) [701PB580](#) [7199K101](#) [810K12910](#) [810KSV30B](#) [FLT 2U EE 01A](#) [MML21EA2ADK](#)
[MML21KA3ABK](#) [MML23KA3AC05K-001](#) [MML23KW3AA01W](#) [8418K2](#) [8442K3](#) [8450K1](#) [860K11911T01A](#) [861901](#) [861K11911T01A07](#)
[861K13810T00A14](#) [861K13911](#) [8646AB6X718UL](#) [9533CD4+U574+U4922](#) [99-450.837](#) [99-453.837](#) [A2PMA1X03EC56](#) [A3A-7310](#) [A3A-](#)
[7340](#) [12037A2ULCSA](#) [1203A2UL](#) [ABGW410-R](#) [ABN400-R](#) [121382](#) [1213C3](#) [HE3B-M2](#) [121194](#) [1212MRA](#) [1241.1183.7047](#) [121489](#)
[1223A2ULCSA](#) [1241.1183.8000](#) [1241.1183.8029](#) [D5P-MT4](#) [13435AG](#) [13445AD29GX768](#) [AG23-L2](#) [AH165-2SGLG1TE3](#) [AH165-](#)
[TGFY22](#) [AH165-TGL5Y11E3](#) [AH165-TGLR11AA3](#) [AH165-TL5Y22E](#)