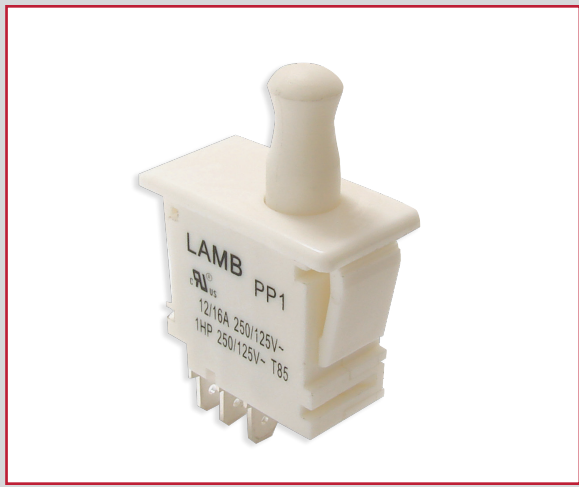
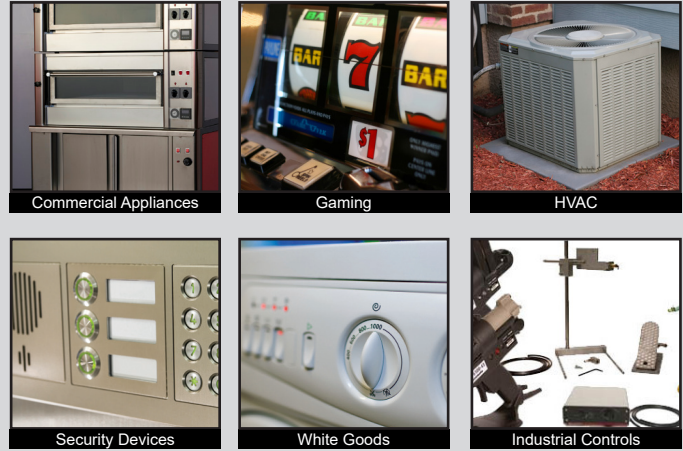


PP1 SERIES DETECTOR SWITCH

ANTI-VANDAL SWITCHES
 DETECTOR SWITCHES
 DIP SWITCHES
 KEYLOCK SWITCHES
 NAVIGATION SWITCHES
 PUSHBUTTON SWITCHES
 ROCKER SWITCHES
 ROTARY SWITCHES
 SLIDE SWITCHES
 SNAP ACTION SWITCHES
 TACTILE SWITCHES
 TOGGLE SWITCHES
 CAP OPTIONS



APPLICATIONS / MARKETS



SPECIFICATIONS

Electrical Rating: 16A 125VAC [cURus]
 12A 250VAC [cURus]
 1HP 125/250VAC [cURus]

Electrical Life: 6,000 Cycles
Mechanical Life: 50,000 Cycles
Contact Resistance: 10mΩ Max.
Insulation Resistance: 10MΩ Min.
Operating Temperature 0°C to 85°C
Panel Cutout: 13.5mm x 36mm
Ingress Protection: IP40
Function: DPDT, On-(On) or On₁-On₂-(On₂)

FEATURES & BENEFITS

- Push-pull or momentary functions
- Various actuator and terminal options
- High ratings with UL approvals
- Acts as door interlock switch
- IP40 ingress protection

PART NUMBER CONFIGURATOR

Series	Terminal Type	Function	Contact Rating	Body Color	Actuator Height	Actuator Color
PP1	1 - 4.8mm x 0.8mm Tabs, Vertical 4 - 6.3mm x 0.8mm Tabs, Vertical D - 4.8mm x 0.8mm Tabs, Horizontal E - 6.3mm x 0.8mm Tabs, Horizontal F - 1 - 6.3mm x 0.5mm, 2 - 4.8mm x 0.5mm Tabs, Angled	T - On ₁ -On ₂ -(On ₂)* B - On-(On)*	7 - 16A 125VAC 12A 250VAC 1HP 125/250VAC	1 - Black 2 - White	A - Straight B - Push-Pull D - Short	1 - Black 2 - White

* () Denotes momentary function

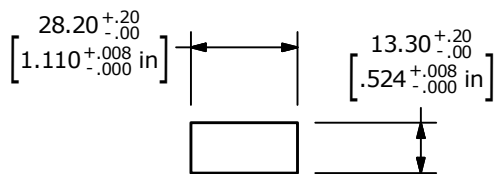
Specifications subject to change without notice 1.7.2020



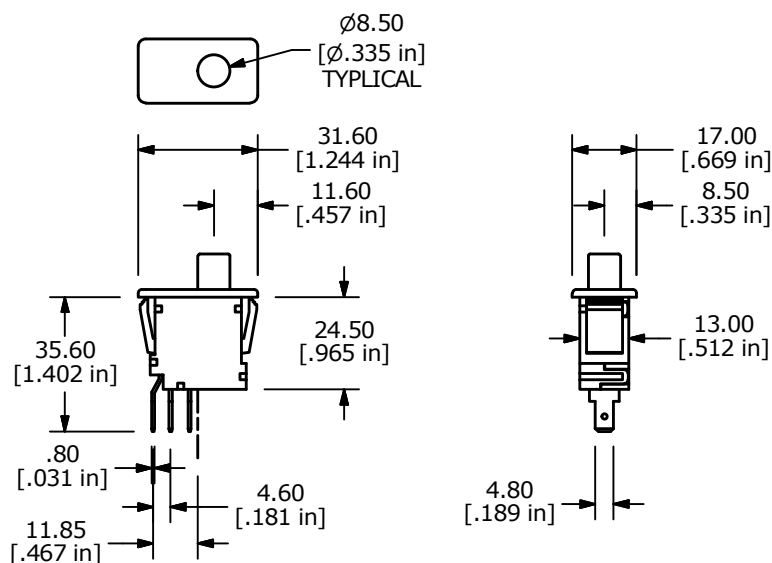
PP1 SERIES DETECTOR SWITCH

TERMINAL OPTIONS

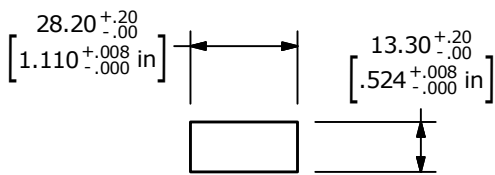
1 - 4.8mm x 0.8mm Tabs, Vertical



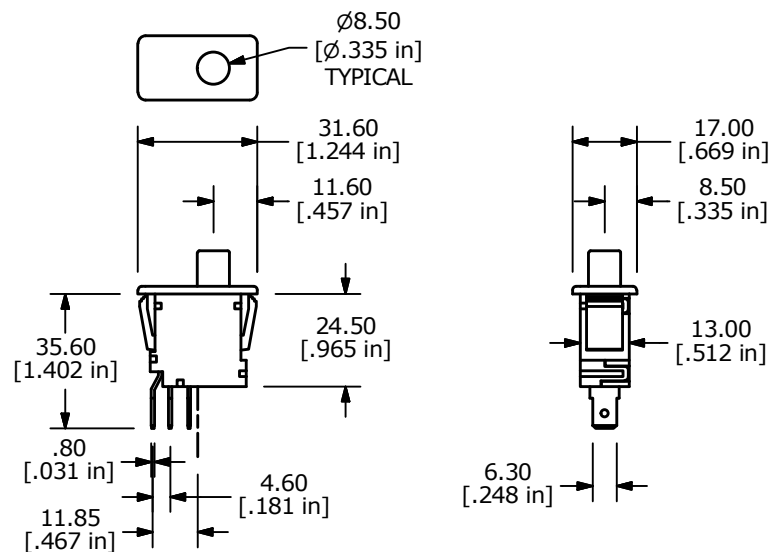
RECOMMENDED PANEL CUTOUT



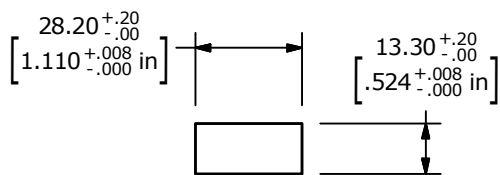
4 - 6.3mm x 0.8mm Tabs, Vertical



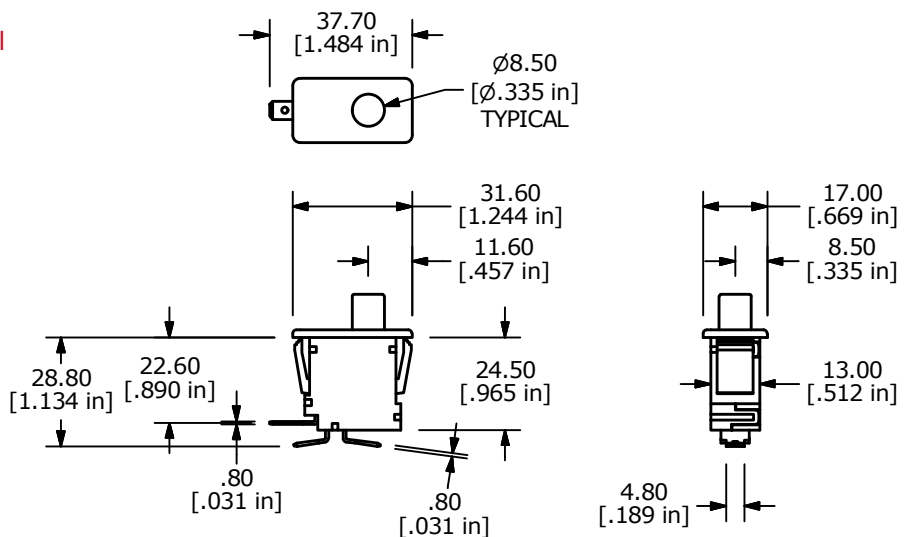
RECOMMENDED PANEL CUTOUT



D - 4.8mm x 0.8mm Tabs, Horizontal



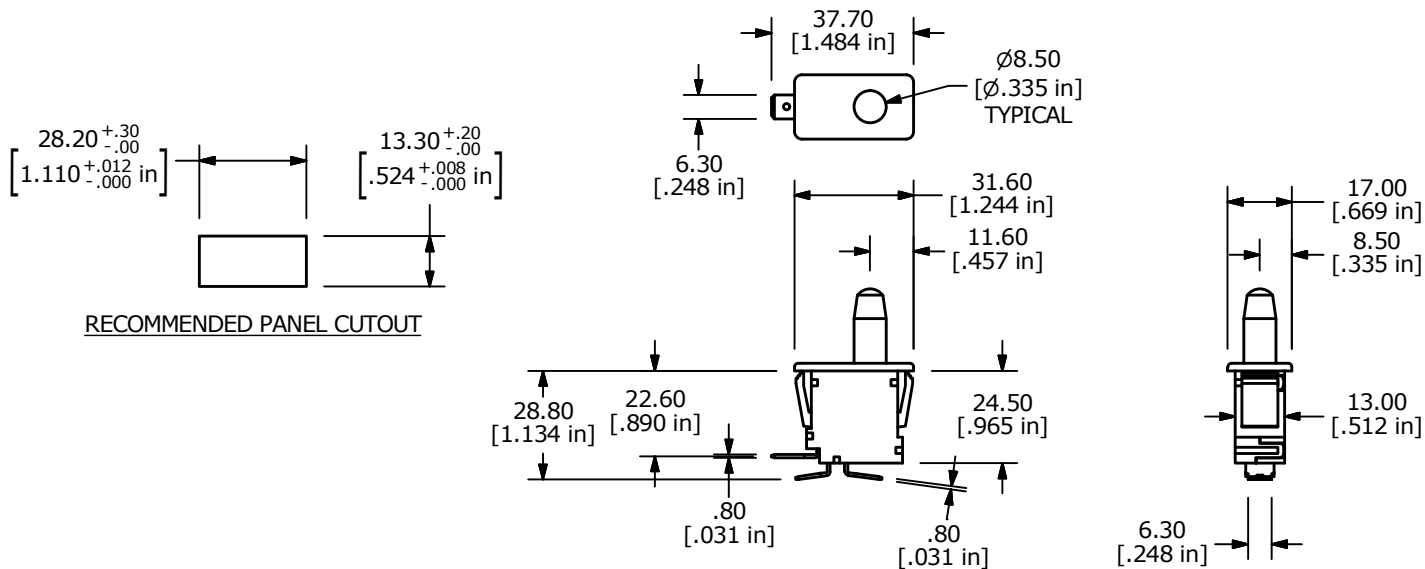
RECOMMENDED PANEL CUTOUT



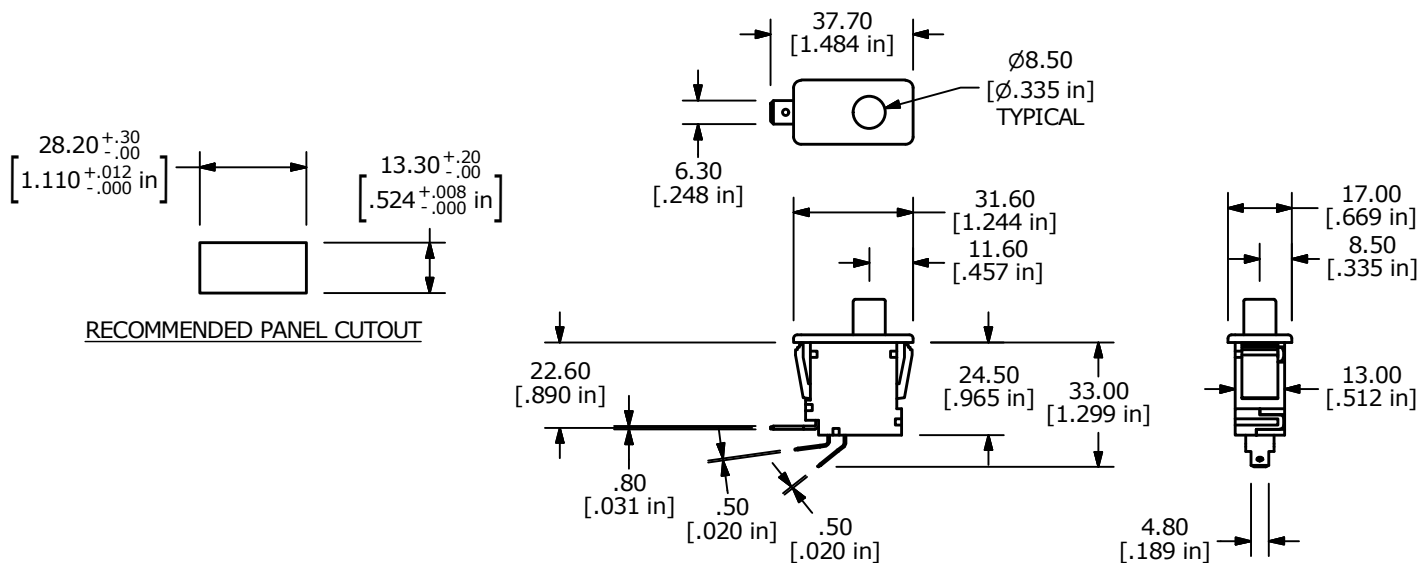
ANTI-VANDAL SWITCHES
 DETECTOR SWITCHES
 DIP SWITCHES
 KEYLOCK SWITCHES
 NAVIGATION SWITCHES
 PUSHBUTTON SWITCHES
 ROCKER SWITCHES
 ROTARY SWITCHES
 SLIDE SWITCHES
 SNAP ACTION SWITCHES
 TACTILE SWITCHES
 TOGGLE SWITCHES
 CAP OPTIONS

TERMINAL OPTIONS

E - 6.3mm x 0.8mm Tabs, Horizontal



F - 1 - 6.3mm x 0.8mm, 2 - 4.8mm x 0.5mm Tabs, Angled



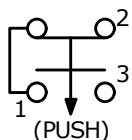
PP1 SERIES DETECTOR SWITCH

ACTUATOR OPTIONS

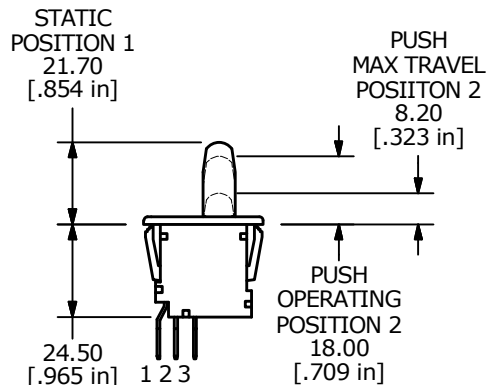
A - Straight

SWITCH FUNCTION	
POS. 1	POS. 2
ON	(ON)
1-2	1-3

(ON)=MOMENTARY



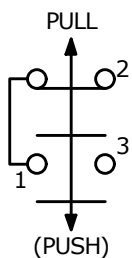
SPDT
CONTACT CONFIGURATION
() DENOTES MOMENTARY
FUNCTION



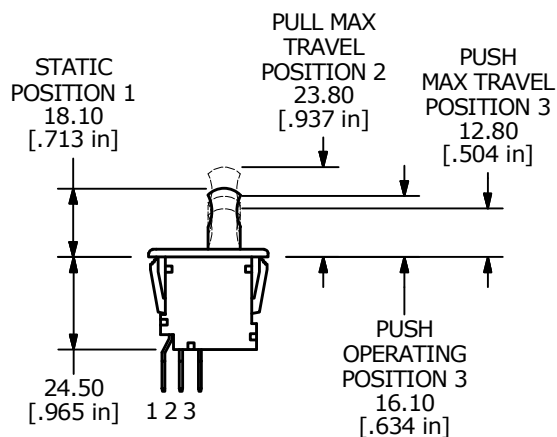
B - Push-Pull

SWITCH FUNCTION		
POS. 1	POS. 2	POS. 3
ON	ON	(ON)
1-2	1-3	1-3

(ON)=MOMENTARY



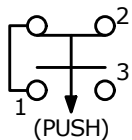
SPDT
CONTACT CONFIGURATION
() DENOTES MOMENTARY
FUNCTION



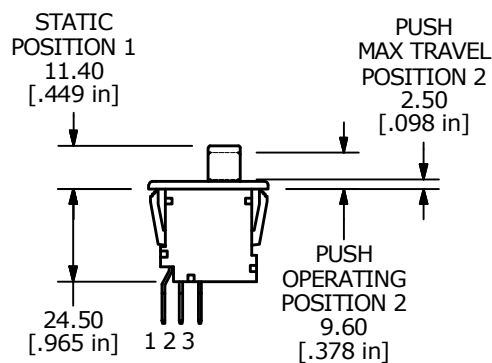
D - Short

SWITCH FUNCTION	
POS. 1	POS. 2
ON	(ON)
1-2	1-3

(ON)=MOMENTARY



SPDT
CONTACT CONFIGURATION
() DENOTES MOMENTARY
FUNCTION



ANTI-VANDAL
DETECTOR
SWITCHES
DIP
SWITCHES
KEYLOCK
SWITCHES
NAVIGATION
SWITCHES
PUSHBUTTON
SWITCHES
ROCKER
SWITCHES
ROTARY
SWITCHES
SLIDE
SWITCHES
SNAP ACTION
SWITCHES
TACTILE
SWITCHES
TOGGLE
SWITCHES
CAP
OPTIONS

X-ON Electronics

Largest Supplier of Electrical and Electronic Components

Click to view similar products for [Pushbutton Switches](#) category:

Click to view products by [E-Switch](#) manufacturer:

Other Similar products are found below :

[8940K2012](#) [LW1L-M1C10V-A](#) [LW1L-M1C70-A](#) [LW2L-A1C20M-GD](#) [LW2L-M1C20M-A](#) [60324L](#) [M22-D-R-GB0/K11](#) [M7E-HRN2](#)
[67021K512](#) [67081K512X](#) [701PB580](#) [7190K101](#) [7199K101](#) [810K12910](#) [810KSV30B](#) [MML21EA2ADK](#) [MML21KA3ABK](#)
[MML23KA3AC05K-001](#) [MML23KW3AA01W](#) [8418K2](#) [8442K3](#) [8450K1](#) [860K11911T01A](#) [861901](#) [861K11911T01A07](#)
[861K13810T00A14](#) [861K13911](#) [8646AB6X718UL](#) [8646ABUL](#) [9001KXRK](#) [907AYY100](#) [PMHD155A1](#) [95-313.000](#)
[9533CD4+U574+U4922](#) [95-414.000](#) [99-450.837](#) [99-453.837](#) [PV3H2B0NN-341](#) [1203MRA](#) [A22NZBGANGA](#) [A22NZBMMNGA](#)
[A22NZBNANGA](#) [A22NZMPATRA](#) [A2PMA1X03EC56](#) [A3A-5123-02](#) [A3A-7140](#) [A3A-7310](#) [A3A-7340](#) [A3U-TMW-A2C-5M](#) [A595](#)