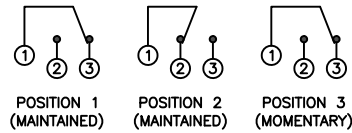


SCHMATIC



SPECIFICATIONS

FUNCTION:
1P2T ON[2]--ON[1]--(ON[2])

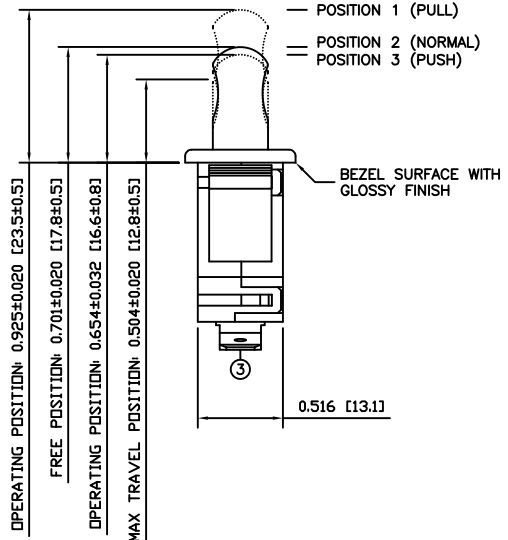
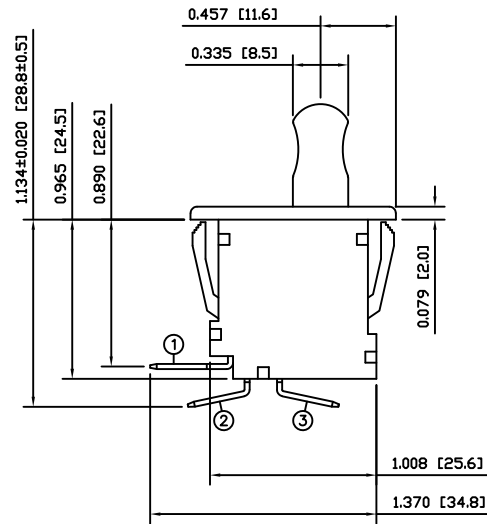
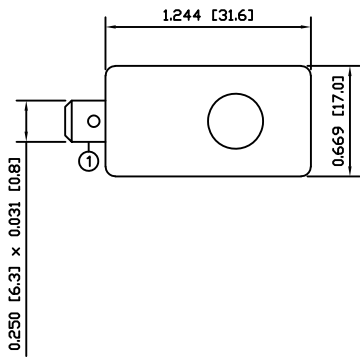
RATING:
ANSI/UL 1054 and CAN/CSA C22.2 No.55 (E194579):
16A 125VAC [cURus]
12A 250VAC [cURus]
1HP 125/250VAC [cURus]

CONTACT RESISTANCE:
Initial: 10mΩ Max.

TEMPERATURE:
Operating: 0°C to 85°C [cURus]

ELECTRICAL LIFE:
6,000 Cycles [cURus]

APPROVALS:
cURus **RoHS**
COMPLIANT



COLORS

MATERIALS

BODY:
White

ACTUATOR:
White

BODY:
Polyamide 6/6 (PA66)

ACTUATOR:
Polyamide 6/6 (PA66)

SPRING:
Steel (65Mn)

SPRING POLE:
Polyamide 6/6 (PA66)

HOOK SPRING:
Stainless Steel (1Cr13)

ACTUATION LEVER:
Brass (H62)

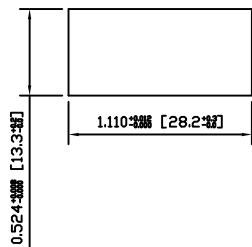
MOBILE CONTACT BAR:
Silver Plated Copper

MOBILE CONTACT:
Silver/Nickel (AgNi(10))

STATIONARY CONTACT:
Silver/Nickel Clad Copper (AgNi(10)/Cu)

TERMINALS:
Silver Plated Brass (H62)

SUGGESTED PANEL CUTOUT



ACTUATOR	B	10/03/16	CAB
BODY	B	10/03/24	CAB
COLORS	A	08/10/23	CAB
MATERIALS	B	10/04/07	CAB
SPECIFICATIONS	C	10/04/07	CAB
REFERENCE	REV.	DATE	BY

THE INFORMATION CONTAINED IN THIS DOCUMENT IS PROPRIETARY TO E-SWITCH AND IS NOT TO BE COPIED OR TRANSFERRED

A	INITIAL RELEASE	18946	10/04/07	CAB
REV.	DESCRIPTION	PCR	DATE	DRAWN BY

DIMENSIONS	INCHES [MILLIMETERS]
GENERAL TOLERANCES	±0.008 [±0.2] / ±1'
SCALE	DRAWING NOT TO SCALE

PP1-ET7-2B2		
ITEM NUMBER	DATE	REVISION
34-PP1ET72B2	APRIL 7, 2010	A

X-ON Electronics

Largest Supplier of Electrical and Electronic Components

Click to view similar products for [Detector Switches](#) category:

Click to view products by [E-Switch](#) manufacturer:

Other Similar products are found below :

[E3S-LS5C4S](#) [SPVQ850300](#) [21075-6](#) [SPVQ860100](#) [D3DM0005H](#) [D3DM0001E](#) [PP2-7H1-2D2](#) [PP1-FB7-2D2](#) [PP2-7U1-2B2](#) [PP1-ET7-2B2](#)
[JJAV0UJ253NONPRTR](#) [JJCHLUJ100NCNPRTR](#) [JJCHLUJ100NONPRTR](#) [JJCHLUJ100NOPPRTR](#) [JJDVDUG305NONPRTR](#)
[JJDVUUG305NONPRTR](#) [JJDVUUG305NOPPRTR](#) [JJDVUUJ305NONPRTR](#) [JJDVUUJ305NOPPRTR](#) [JJDVUUJ314NCPPRTR](#)
[JJEV0UG380NOPMQTR](#) [JJIH0UG150NOPPRTR](#) [JJHLLGG200NOPPRTR](#) [JJHLUG200NOPPRTR](#) [JJHRGG200NOPPRTR](#)
[JJHRUG200NOPPRTR](#) [JJMH0UG200NCPMRTR](#) [JJMH0UG200NONMRTR](#) [JJNHWUG200NONMRTR](#) [JJPV0US830NOPPRLO](#)
[MR1000AWA](#) [MR1000BWA](#) [ESE-11MH3](#) [ESE-11MH5T](#) [ESE-13H05A](#) [ESE-13V05B](#) [ESE-13V05C](#) [ESE-13V05D](#) [ESE-18L13A](#) [ESE-](#)
[18L63A](#) [ESE-18RF01](#) [ESE-23F001](#) [ESE-23J001](#) [ESE-23J005](#) [ESE-23J105](#) [ESE-24CSH1](#) [ESE-24CSH6](#) [ESE-24CSV3](#) [ESE-24MV6T](#) [ESE-](#)
[24SH6](#)