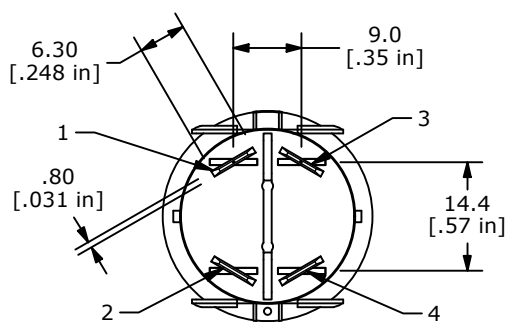
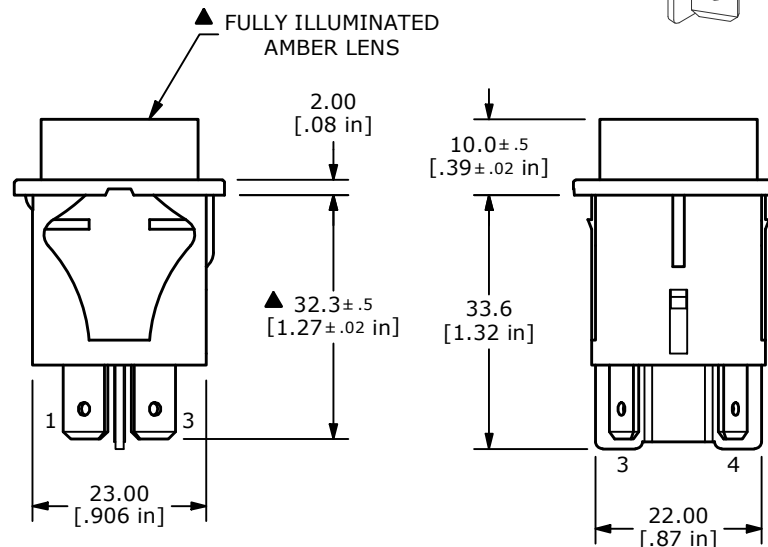
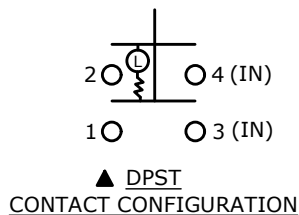


SWITCH FUNCTION	
POS. 1	POS. 2
OFF	(ON)
OPEN	1-3, 2-4

(ON) = MOMENTARY



- NOTE:
- ALL DIMENSIONS IN MM [INCH]
 - GENERAL TOLERANCE: X.X = 0.4
X.XX = 0.25
 - TERMINAL NUMBERS FOR REFERENCE ONLY.
 - CONTACT RATINGS:
 - ANSI/UL 1054 AND CAN/CSA C22.2 NO.55 (E194579)
 - 16A 125VAC [UR, cUR]
 - 1/2HP 125VAC, 3/4HP 250VAC [UR, cUR]
 - EN 61058-1: 2002:
 - 16(6)A 250V~ 1E4 T125/55 [ENEC14]
 - 10(4)A 250V~ 5E4 T125/55 [ENEC14]
 - CONTACT RESISTANCE: 35mΩ MAX. INITIAL @ 50VAC
 - INSULATION RESISTANCE: 100MΩ @ 500VDC
 - DIELECTRIC STRENGTH: 1500VAC FOR 1 MINUTE
 - ELERTICAL LIFE: 6,000 CYCLES [UR, cUR]
10,000 CYCLES [ENEC14]
50,000 CYCLES [ENEC14]
 - OPERATING TEMP: -20°C to 105°C [UR, cUR]
-20°C to 125°C [ENEC14]
 - ▲ DENOTE CRITICAL PARAMETER
 - ▲ ILLUMINATION VOLTAGE: 12V
 - ▲ LENS COLOR: AMBER (Orange)



A	24250	RELEASE	4/7/20	MW
REV	PCR NO	DESCRIPTION	DATE	BY

TITLE PR14EC1000-124				
SCALE 1:1	DATE 4/7/2020	DR MW	DWG 38-PR14EC1000124	REV A

THE INFORMATION CONTAINED IN THIS DOCUMENT IS PROPRIETARY TO E-SWITCH AND IS NOT TO BE COPIED OR TRANSFERRED

X-ON Electronics

Largest Supplier of Electrical and Electronic Components

Click to view similar products for [Pushbutton Switches](#) category:

Click to view products by [E-Switch](#) manufacturer:

Other Similar products are found below :

[8940K2012](#) [LW1L-M1C10V-A](#) [LW1L-M1C70-A](#) [LW2L-A1C20M-GD](#) [LW2L-M1C20M-A](#) [60324L](#) [M22-D-R-GB0/K11](#) [M7E-HRN2](#)
[67021K512](#) [67081K512X](#) [701PB580](#) [7190K101](#) [7199K101](#) [810K12910](#) [810KSV30B](#) [MML21EA2ADK](#) [MML21KA3ABK](#)
[MML23KA3AC05K-001](#) [MML23KW3AA01W](#) [8418K2](#) [8442K3](#) [8450K1](#) [860K11911T01A](#) [861901](#) [861K11911T01A07](#)
[861K13810T00A14](#) [861K13911](#) [8646AB6X718UL](#) [8646ABUL](#) [9001KXRK](#) [907AYY100](#) [PMHD155A1](#) [95-313.000](#)
[9533CD4+U574+U4922](#) [95-414.000](#) [99-450.837](#) [99-453.837](#) [PV3H2B0NN-341](#) [1203MRA](#) [A22NZBGANGA](#) [A22NZBMMNGA](#)
[A22NZBNANGA](#) [A22NZMPATRA](#) [A2PMA1X03EC56](#) [A3A-5123-02](#) [A3A-7140](#) [A3A-7310](#) [A3A-7340](#) [A3U-TMW-A2C-5M](#) [A595](#)