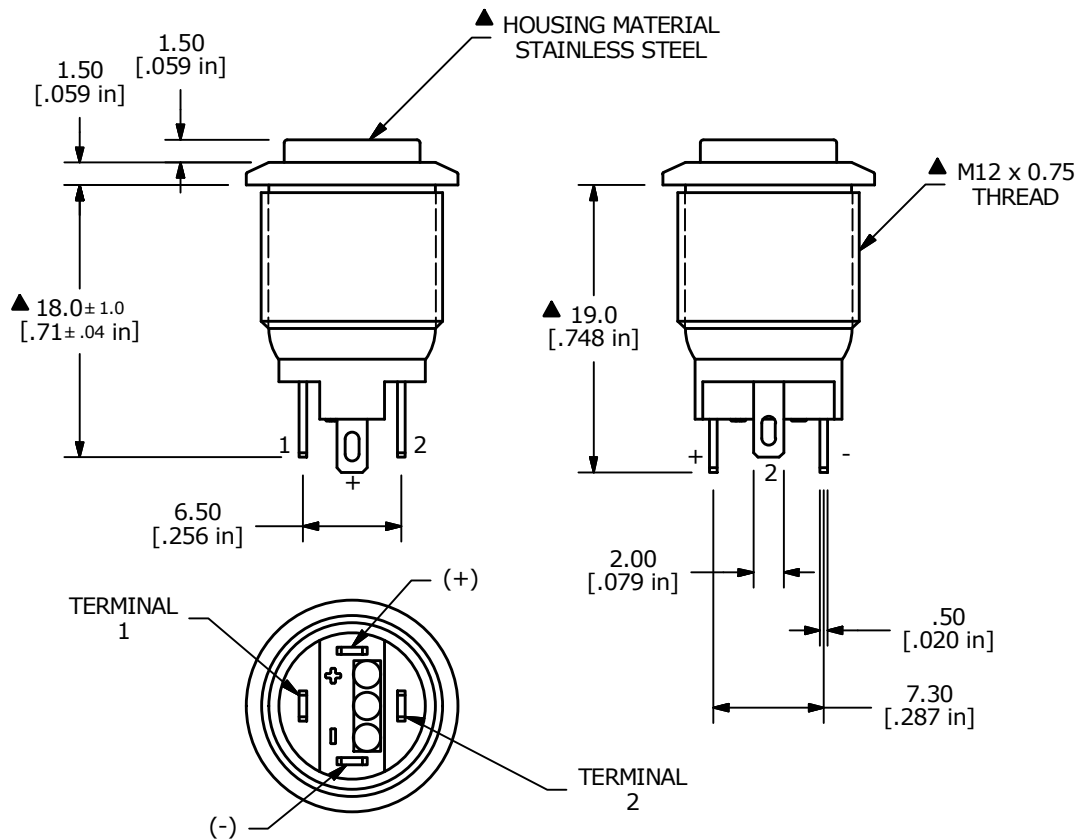
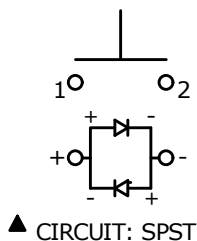


SWITCH FUNCTION	
POS. 1	POS. 2
OFF	(ON)
OPEN	1-2

(ON) = MOMENTARY



- NOTE:
1. ALL DIMENSIONS IN MM [INCH]
 2. GENERAL TOLERANCE: X.X = ± 0.4
X.XX = ± 0.25
 3. TERMINAL NOS. FOR REF. ONLY
 4. RATING: 2A @ 36VDC
 5. CONTACT RESISTANCE: 50mΩ MAX. @ 1A 12VDC
 6. INSULATION RESISTANCE: 1,000MΩ @ 500VDC
 7. DIELECTRIC STRENGTH: 2,000VAC MIN. FOR 1 MINUTE
 8. ELECTRICAL LIFE: 200,000 CYCLES
 9. CONTACT MATERIAL: SILVER
 10. OPERATING TEMPERATURE: -20°C TO 55°C
 11. INGRESS PROTECTION: IP65
 - ▲ 12. LED VOLTAGE: BASE VOLTAGE 2.8V TYP.
 13. ▲ DENOTES CRITICAL PARAMETER
 14. 2011/65/EU (ROHS) COMPLIANT
 15. HARDWARE INCLUDED: HEX NUT AND O-RING (NOT SHOWN)



D	23192	UPDATED THREAD FROM ..0.5 TO ..0.75	1/29/18	MJR
C	22865	UPDATED RATING TO 2A @ 36VDC	5/26/17	MJR
REV	PCR NO	DESCRIPTION	DATE	BY

TITLE PV0H240SS-231				
SCALE	DATE	DR	DWG	REV
2:1	2/18/2016	rc	52-PV0H240SS231	D

THE INFORMATION CONTAINED IN THIS DOCUMENT IS PROPRIETARY TO E-SWITCH AND IS NOT TO BE COPIED OR TRANSFERRED

X-ON Electronics

Largest Supplier of Electrical and Electronic Components

Click to view similar products for [Pushbutton Switches](#) category:

Click to view products by [E-Switch](#) manufacturer:

Other Similar products are found below :

[8940K2012](#) [LW1L-M1C10V-A](#) [LW1L-M1C70-A](#) [LW2L-A1C20M-GD](#) [LW2L-M1C20M-A](#) [60324L](#) [M22-D-R-GB0/K11](#) [M7E-HRN2](#)
[67021K512](#) [67081K512X](#) [701PB580](#) [7190K101](#) [7199K101](#) [810K12910](#) [810KSV30B](#) [MML21EA2ADK](#) [MML21KA3ABK](#)
[MML23KA3AC05K-001](#) [MML23KW3AA01W](#) [8418K2](#) [8442K3](#) [8450K1](#) [860K11911T01A](#) [861901](#) [861K11911T01A07](#)
[861K13810T00A14](#) [861K13911](#) [8646AB6X718UL](#) [8646ABUL](#) [9001KXRK](#) [907AYY100](#) [PMHD155A1](#) [95-313.000](#)
[9533CD4+U574+U4922](#) [95-414.000](#) [99-450.837](#) [99-453.837](#) [PV3H2B0NN-341](#) [1203MRA](#) [A22NZBGANGA](#) [A22NZBMMNGA](#)
[A22NZBNANGA](#) [A22NZMPATRA](#) [A2PMA1X03EC56](#) [A3A-5123-02](#) [A3A-7140](#) [A3A-7310](#) [A3A-7340](#) [A3U-TMW-A2C-5M](#) [A595](#)