

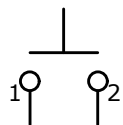
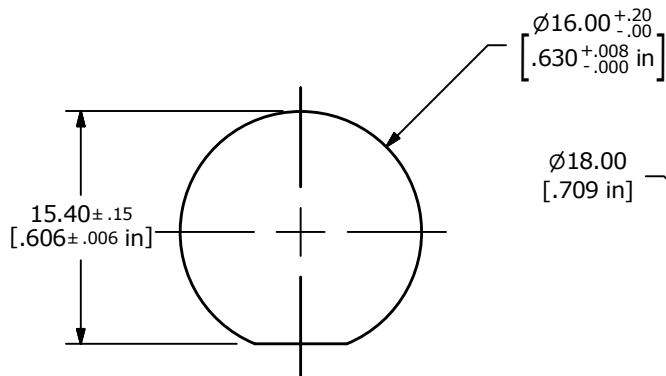


SWITCH FUNCTION	
POS. 1	POS. 2
	
OFF	(ON)
OPEN	1-2

(ON) = MOMENTARY



CIRCUIT: SPST



PANEL MOUNTING
MAX. PANEL THICKNESS 6.0mm

$\varnothing 16.00^{+0.20}_{-0.00}$
[.630^{+0.008}_{-0.000} in]

$\varnothing 18.00$
[.709 in]

$\varnothing 6.00$
[.236 in]

▲ DOMED ACTUATOR
BLACK ANODIZED

▲ (M01) MARKING
LASER ETCHED TO
REVEAL ALUMINUM
POWER SYMBOL

GRAPHIC ORIENTATION
SHOWN IS FOR REFERENCE
ONLY. ORIENTATION MAY
VARY IN RESPECT TO THE
FLAT ON THE HOUSING.

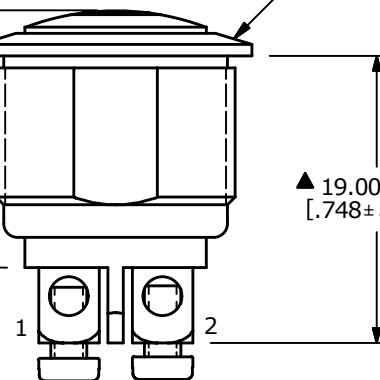


3.00 ± 1.00
[.118 ± .039 in]

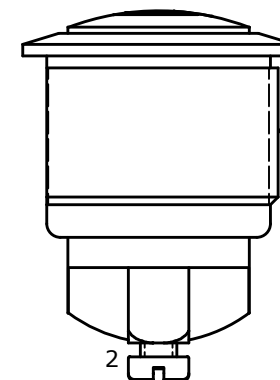
14.00 ± 1.00
[.551 ± .039 in]

▲ BODY BLACK
ANODIZED

▲ 19.00 ± 1.00
[.748 ± .039 in]



6.20
[.244 in]



M16x1.0

NOTE:

1. ALL DIMENSIONS IN MM [INCH]
2. GENERAL TOLERANCE: X.X=±0.4
X.XX=±0.25
3. TERMINAL NUMBERS FOR REF ONLY
4. CONTACT MATERIAL: SILVER
5. RATING: 2A @ 48VDC
- ▲ 6: TRAVEL: 1.5 ± 0.2mm
7. ELECTRIC LIFE: 200,000 MAKE-AND-BREAK CYCLES
8. INSULATION RESISTANCE: 1,000 MΩ MIN.
9. DIELECTRIC STRENGTH: 2,000 VAC MIN. FOR 1 MINUTE
10. CONTACT RESISTANCE: 50mΩ MAX. @ 1A 12VDC
11. OPERATING TEMP.: -20°C to 55°C
12. ▲ DENOTES CRITICAL PARAMETER.
13. INGRESS PROTECTION: IP65
- ▲ 14. HARDWARE SUPPLIED: O-RING AND HEXNUT



C	23594	UPDATED RATING TO 2A @ 48VDC	10/8/18	MJR
B	22600	ADDED FLAT TO HOUSING	11/18/16	MJR
REV	PCR NO	DESCRIPTION	DATE	BY

TITLE PV2S64011-M01				
SCALE	DATE	DR	DWG	REV
2:1	11/9/2016	MJR	52-PV2S64011M01	C

THE INFORMATION CONTAINED IN THIS DOCUMENT IS PROPRIETARY TO E-SWITCH AND IS NOT TO BE COPIED OR TRANSFERRED

X-ON Electronics

Largest Supplier of Electrical and Electronic Components

Click to view similar products for [Pushbutton Switches](#) category:

Click to view products by [E-Switch](#) manufacturer:

Other Similar products are found below :

[8940K2012](#) [LW1L-M1C10V-A](#) [LW1L-M1C70-A](#) [LW2L-A1C20M-GD](#) [LW2L-M1C20M-A](#) [60324L](#) [M22-D-R-GB0/K11](#) [M7E-HRN2](#)
[67021K512](#) [67081K512X](#) [701PB580](#) [7190K101](#) [7199K101](#) [810K12910](#) [810KSV30B](#) [MML21EA2ADK](#) [MML21KA3ABK](#)
[MML23KA3AC05K-001](#) [MML23KW3AA01W](#) [8418K2](#) [8442K3](#) [8450K1](#) [860K11911T01A](#) [861901](#) [861K11911T01A07](#)
[861K13810T00A14](#) [861K13911](#) [8646AB6X718UL](#) [8646ABUL](#) [9001KXRK](#) [907AYY100](#) [PMHD155A1](#) [95-313.000](#)
[9533CD4+U574+U4922](#) [95-414.000](#) [99-450.837](#) [99-453.837](#) [PV3H2B0NN-341](#) [1203MRA](#) [A22NZBGANGA](#) [A22NZBMMNGA](#)
[A22NZBNANGA](#) [A22NZMPATRA](#) [A2PMA1X03EC56](#) [A3A-5123-02](#) [A3A-7140](#) [A3A-7310](#) [A3A-7340](#) [A3U-TMW-A2C-5M](#) [A595](#)