

# PV3 SERIES ANTI-VANDAL SWITCH

ANTI-VANDAL SWITCHES  
DETECTOR SWITCHES  
DIP SWITCHES  
KEYLOCK SWITCHES  
NAVIGATION SWITCHES  
PUSHBUTTON SWITCHES  
ROCKER SWITCHES  
ROTARY SWITCHES  
SLIDE SWITCHES  
SNAP ACTION SWITCHES  
TACTILE SWITCHES  
TOGGLE SWITCHES  
CAP OPTIONS



## APPLICATIONS / MARKETS



Audio / Visual



Security Devices



Industrial Controls



Kiosks



Electrical Housewares



Medical Equipment

**RoHS**

## SPECIFICATIONS

**Electrical Rating:** 2A, 48VDC  
**Mechanical Life:** 200,000 Cycles  
**Electrical Life:** 50,000 Cycles  
**Contact Resistance:** 50mΩ Max.  
**Insulation Resistance:** 1000MΩ Max.  
**Operating/Storage Temperature:** -20°C to 55°C  
**Travel:** 2.80mm  
**Moisture Protection:** IP40 (PV3,PV3S) & IP67 (PV3W, PV3SW)  
**Contact Arrangement:** SPST & DPDT  
**Actuation Force:** 4 N  
**Panel Thickness:** 1-8mm  
**Mounting Nut Torque:** 0.6Nm

## FEATURES & BENEFITS

- 16mm diameter panel cutout
- Dot and ring illumination options
- Multiple actuator options
- Non-sealed and seal option configurable
- SPST & DPDT
- Soldered wire leads (300mm long) optional

## PART NUMBER CONFIGURATOR

Series	Actuator Options	Terminal Options	Function Options	Rating Options	Body Finish Options	Actuator Finish Options	Contact Material Options	Lens Style Options	Lens Color Options	Illumination Voltage Options
<input type="checkbox"/> <b>PV3</b> - Non Water-Resistant Version: Long Body <input type="checkbox"/> <b>PV3S</b> - Non Water-Resistant Version: Short Body Non-Illuminated only <input type="checkbox"/> <b>PV3W</b> - Water-Resistant Version: Long Body <input type="checkbox"/> <b>PV3SW</b> - Water-Resistant Version: Short Body Non-Illuminated only	<input type="checkbox"/> <b>F</b> - Flat <input type="checkbox"/> <b>H</b> - High <input type="checkbox"/> <b>G</b> - Guarded Concave	<input type="checkbox"/> <b>2</b> - Solder Leads <input type="checkbox"/> <b>W</b> - Wire 300mm	<input type="checkbox"/> <b>B</b> - 1 Pole On - (On)* <input type="checkbox"/> <b>H</b> - 2 Pole On - (On)*	<input type="checkbox"/> <b>0</b> - 2A, 48VDC	<input type="checkbox"/> <b>1</b> - Black Anodized <input type="checkbox"/> <b>N</b> - Nickel <input type="checkbox"/> <b>B</b> - Brushed Stainless <input type="checkbox"/> <b>S</b> - Polished Stainless	<input type="checkbox"/> <b>0</b> - Clear/Aluminum <input type="checkbox"/> <b>1</b> - Black Anodized <input type="checkbox"/> <b>7</b> - Blue <input type="checkbox"/> <b>8</b> - Green <input type="checkbox"/> <b>9</b> - Red <input type="checkbox"/> <b>N</b> - Nickel <input type="checkbox"/> <b>B</b> - Brushed Stainless <input type="checkbox"/> <b>S</b> - Polished Stainless	<input type="checkbox"/> <b>NONE</b> - Silver <input type="checkbox"/> <b>G</b> - Gold	<input type="checkbox"/> <b>NONE</b> - Non-Illuminated <input type="checkbox"/> <b>2</b> - Dot Illumination <input type="checkbox"/> <b>3</b> - Ring Illumination	<input type="checkbox"/> <b>NONE</b> - Non-Illuminated <input type="checkbox"/> <b>0</b> - White <input type="checkbox"/> <b>1</b> - Red <input type="checkbox"/> <b>2</b> - Orange <input type="checkbox"/> <b>3</b> - Green <input type="checkbox"/> <b>4</b> - Blue <input type="checkbox"/> <b>5</b> - Yellow	<input type="checkbox"/> <b>NONE</b> - Non-Illuminated <input type="checkbox"/> <b>1</b> - Base Voltage† <input type="checkbox"/> <b>3</b> - 6V <input type="checkbox"/> <b>4</b> - 12V <input type="checkbox"/> <b>5</b> - 24V <input type="checkbox"/> <b>6</b> - 125V

NOTES:  
 \*( ) denotes function is momentary

Specifications subject to change without notice 5.15.2019



**E-SWITCH®**

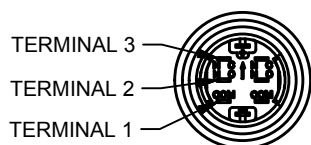
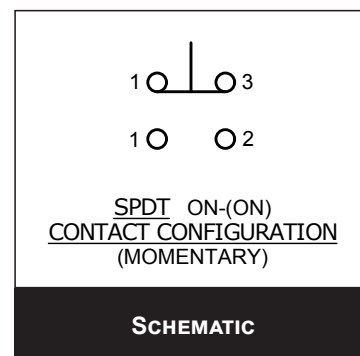
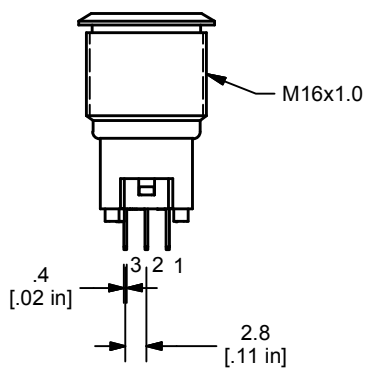
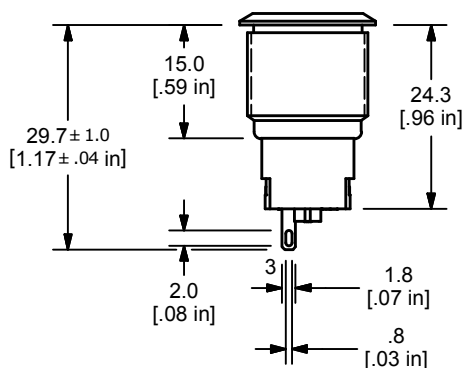
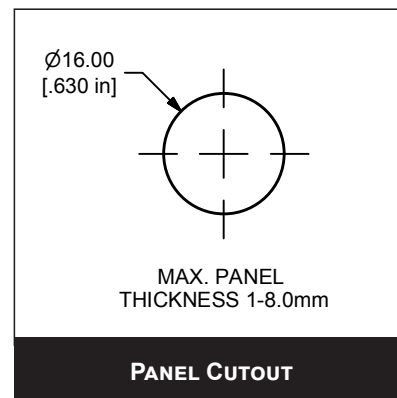
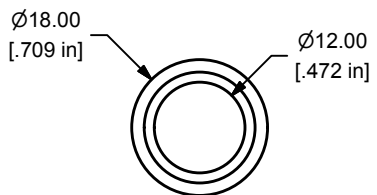
www.e-switch.com

800.867.2717

1

# PV3 SERIES ANTI-VANDAL SWITCH

## BODY DIMENSIONS

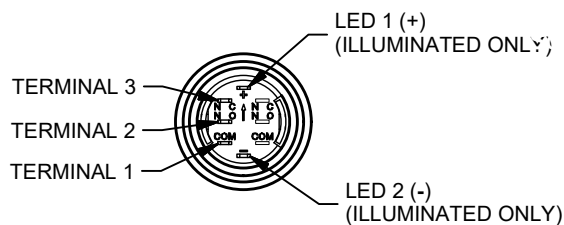
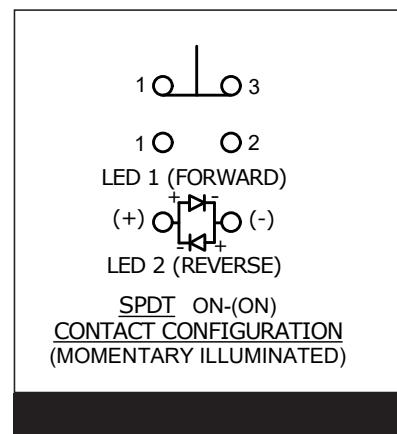
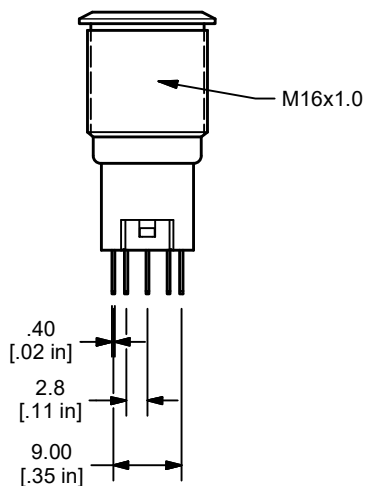
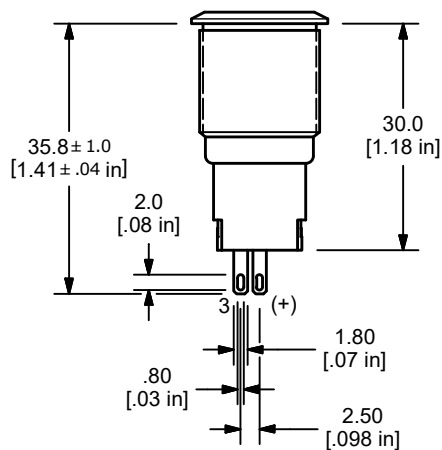
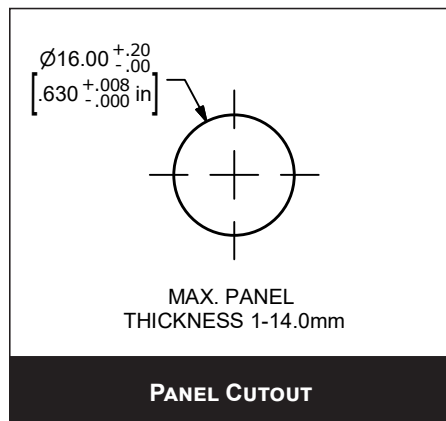
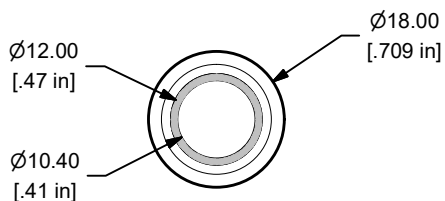


SHORT BODY



# PV3 SERIES ANTI-VANDAL SWITCH

## BODY DIMENSIONS

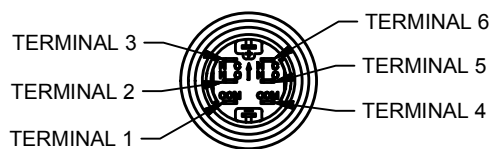
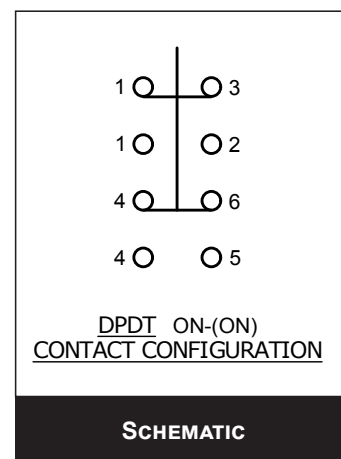
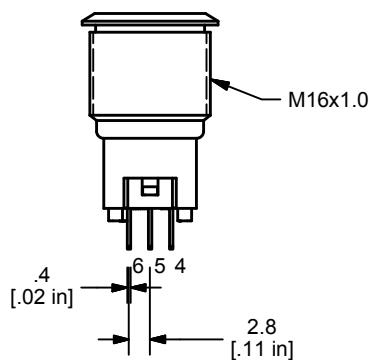
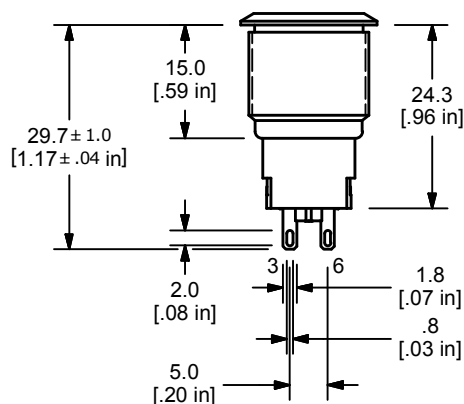
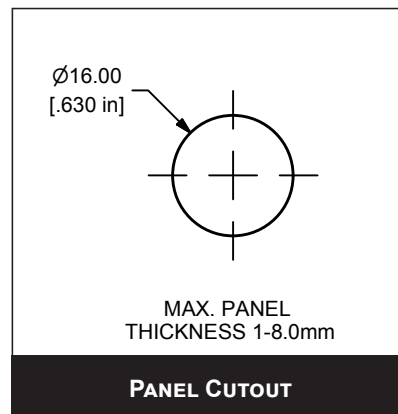
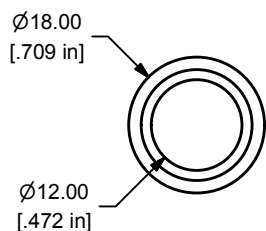


LONG BODY



# PV3 SERIES ANTI-VANDAL SWITCH

## BODY DIMENSIONS



SHORT BODY

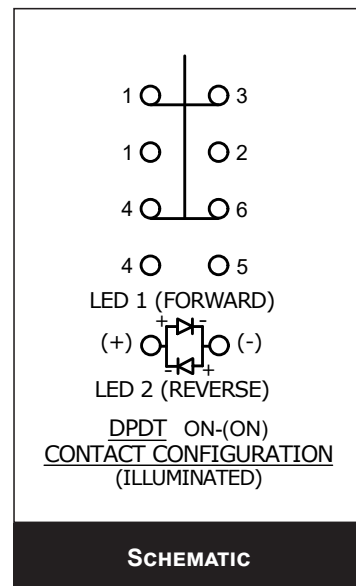
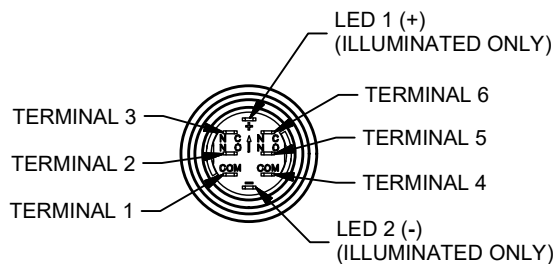
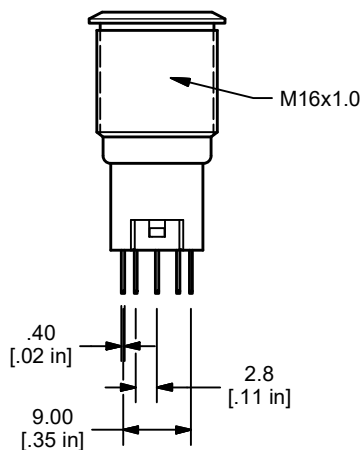
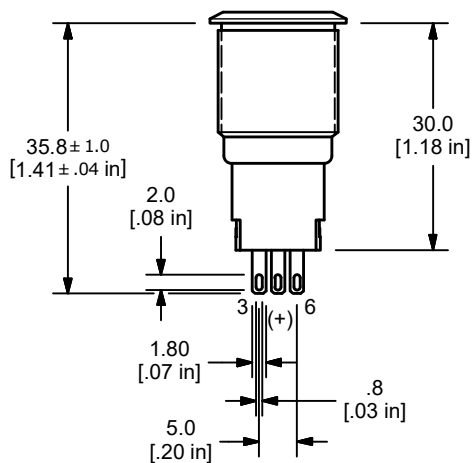
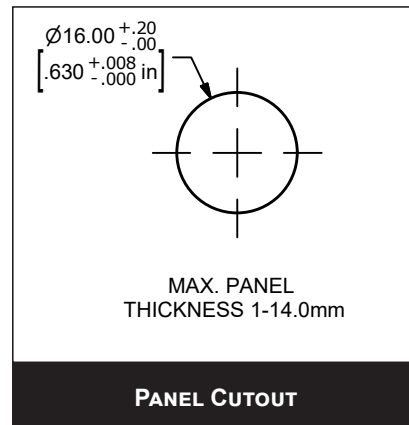
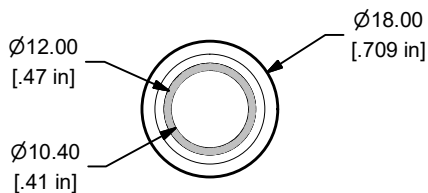


ANTI-VANDAL SWITCHES  
DETECTOR SWITCHES  
DIP SWITCHES  
KEYLOCK SWITCHES  
NAVIGATION SWITCHES  
PUSHBUTTON SWITCHES  
ROCKER SWITCHES  
ROTARY SWITCHES  
SLIDE SWITCHES  
SNAP ACTION SWITCHES  
TACTILE SWITCHES  
TOGGLE SWITCHES  
CAP OPTIONS

# PV3 SERIES ANTI-VANDAL SWITCH

## BODY DIMENSIONS

- ANTI-VANDAL SWITCHES
- DETECTOR SWITCHES
- DIP SWITCHES
- KEYLOCK SWITCHES
- NAVIGATION SWITCHES
- PUSHBUTTON SWITCHES
- ROCKER SWITCHES
- ROTARY SWITCHES
- SLIDE SWITCHES
- SNAP ACTION SWITCHES
- TACTILE SWITCHES
- TOGGLE SWITCHES
- CAP OPTIONS

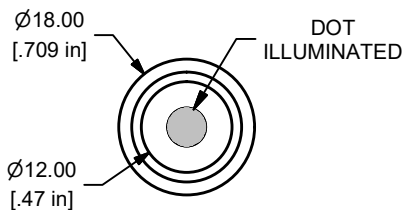


LONG BODY

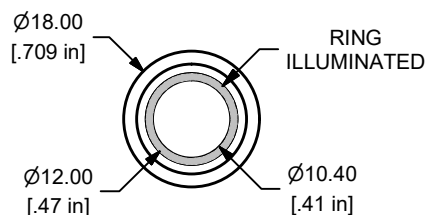


# PV3 SERIES ANTI-VANDAL SWITCH

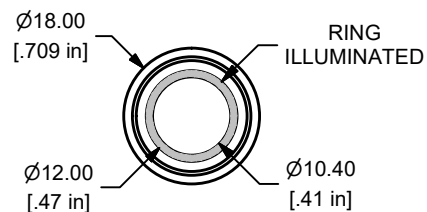
## ILLUMINATION OPTIONS



**DOT ILLUMINATED**

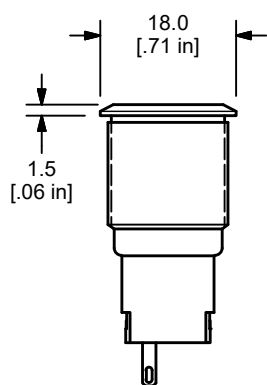
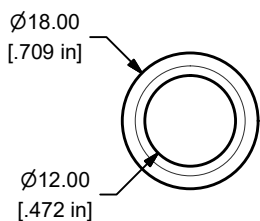


**RING ILLUMINATED**

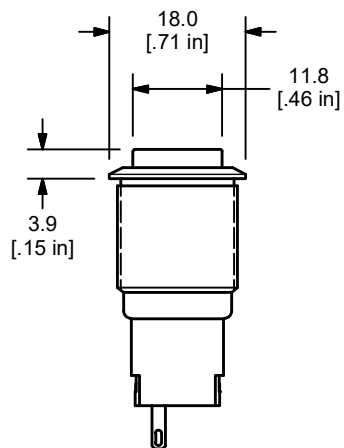
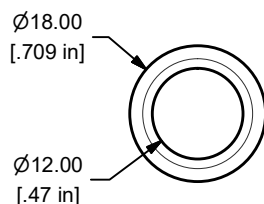


**RING ILLUMINATED  
WITH GUARDED CONCAVE ACTUATOR**

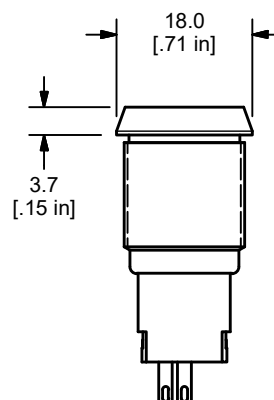
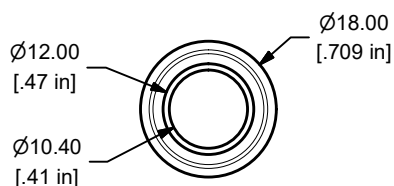
## ACTUATOR OPTIONS



**FLAT ACTUATOR**



**HIGH ACTUATOR**



**GUARDED CONCAVE**

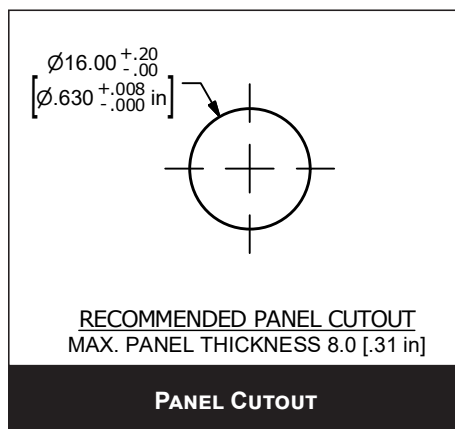
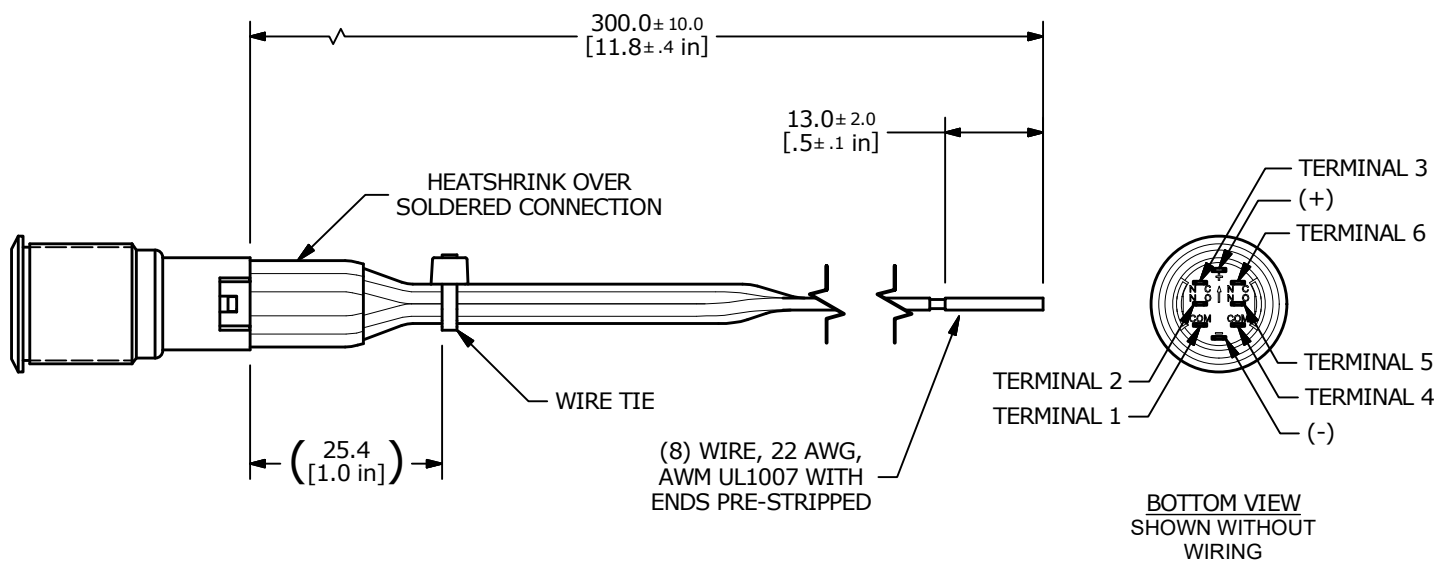


# PV3 SERIES ANTI-VANDAL SWITCH

## STANDARD LED WIRE LEAD

SWITCH	WIRE	LENGTH
SW1-1	WIRE, 22AWG AWM UL1007, YELLOW	300.0 [11.8 in]
SW1-2	WIRE, 22AWG AWM UL1007, BLUE	300.0 [11.8 in]
SW1-3	WIRE, 22AWG AWM UL1007, GREEN	300.0 [11.8 in]
SW1-4	WIRE, 22AWG AWM UL1007, PURPLE	300.0 [11.8 in]
SW1-5	WIRE, 22AWG AWM UL1007, ORANGE	300.0 [11.8 in]
SW1-6	WIRE, 22AWG AWM UL1007, WHITE	300.0 [11.8 in]
SW1- (+)	WIRE, 22AWG AWM UL1007, RED	300.0 [11.8 in]
SW1- (-)	WIRE, 22AWG AWM UL1007, BLACK	300.0 [11.8 in]

\*\* WIRE LEADS PROVIDED ARE DEPENDANT ON THE FUNCTION AND/OR ILLUMINATION SELECTED \*\*



## X-ON Electronics

Largest Supplier of Electrical and Electronic Components

*Click to view similar products for [Pushbutton Switches](#) category:*

*Click to view products by [E-Switch](#) manufacturer:*

Other Similar products are found below :

[8940K2012](#) [LW1L-M1C10V-A](#) [LW1L-M1C70-A](#) [LW2L-A1C20M-GD](#) [LW2L-M1C20M-A](#) [60324L](#) [M22-D-R-GB0/K11](#) [M7E-HRN2](#)  
[67021K512](#) [67081K512X](#) [701PB580](#) [7190K101](#) [7199K101](#) [810K12910](#) [810KSV30B](#) [MML21EA2ADK](#) [MML21KA3ABK](#)  
[MML23KA3AC05K-001](#) [MML23KW3AA01W](#) [8418K2](#) [8442K3](#) [8450K1](#) [860K11911T01A](#) [861901](#) [861K11911T01A07](#)  
[861K13810T00A14](#) [861K13911](#) [8646AB6X718UL](#) [8646ABUL](#) [9001KXRK](#) [907AYY100](#) [PMHD155A1](#) [95-313.000](#)  
[9533CD4+U574+U4922](#) [95-414.000](#) [99-450.837](#) [99-453.837](#) [PV3H2B0NN-341](#) [1203MRA](#) [A22NZBGANGA](#) [A22NZBMMNGA](#)  
[A22NZBNANGA](#) [A22NZMPATRA](#) [A2PMA1X03EC56](#) [A3A-5123-02](#) [A3A-7140](#) [A3A-7310](#) [A3A-7340](#) [A3U-TMW-A2C-5M](#) [A595](#)