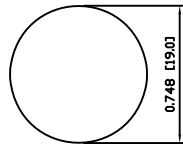
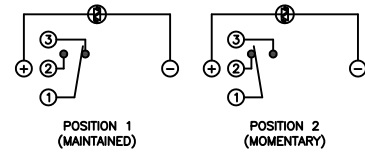


SUGGESTED PANEL CUTOUT



MAXIMUM PANEL THICKNESS: 0.433 [11.0mm]

SCHEMATIC



SPECIFICATIONS

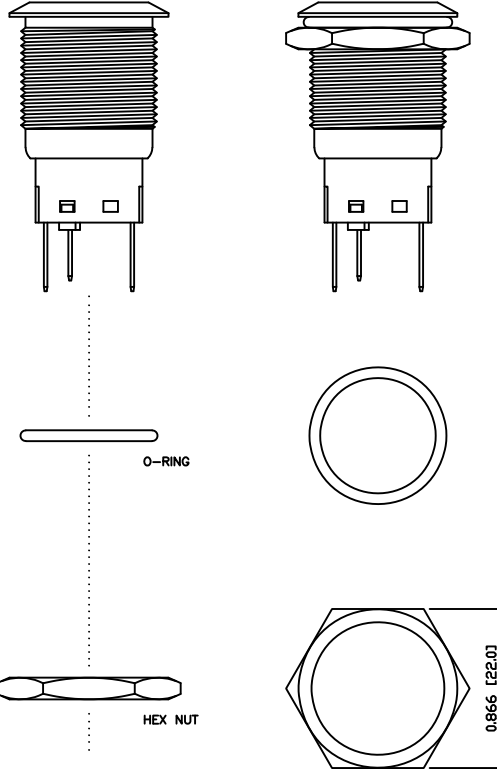
- FUNCTION:
1P2T ON-(ON)
- RATING:
2A 24VDC
- ILLUMINATION VOLTAGE:
2.8V 20mA
- CONTACT RESISTANCE:
Initial: 50mΩ Max. at 1A 12VDC
- INSULATION RESISTANCE:
1,000MΩ Min. at 500VDC
- DIELECTRIC STRENGTH:
2,000VAC Min. for 1 Minute
- ELECTRICAL LIFE:
50,000 Cycles
- MECHANICAL LIFE:
1,000,000 Cycles
- TEMPERATURE:
Operating: -20°C to 70°C
- INGRESS PROTECTION:
IP65
- APPROVALS:
RoHS
COMPLIANT

MATERIALS

- BUSHING:
Stainless Steel (304)
- BASE:
Polycarbonate (PC)
Polybutylene Terephthalate (PBT), UL94 V-2
- ACTUATOR:
Stainless Steel (304)
Polycarbonate (PC)
- HARDWARE:
Nickel Plated Brass (H59)
- SEALING:
Silicone Rubber
- INNER ASSEMBLY:
Polyoxymethylene (POM)
Phosphor Bronze
- SPRING:
Spring Steel
- CONTACTS:
Silver/Cadmium Oxide (AgCdO)
- TERMINALS:
Silver Plated Brass (H62)
Silver Plated Phosphor Bronze
- O-RING:
Silicone Rubber

COLORS AND FINISH

- BEZEL:
Stainless Steel
Machine Finish
- ACTUATOR:
Stainless Steel
Machine Finish
- ILLUMINATION:
Blue (Forward)
Blue (Reverse)
- MARKING:
None



EXPLODED VIEW

ASSEMBLED VIEW

BODY	A	09/07/24	CAB
COLORS	A	09/07/24	CAB
MATERIALS	B	09/10/16	CAB
SPECIFICATIONS	A	09/07/27	CAB
REFERENCE	REV.	DATE	BY

THE INFORMATION CONTAINED IN THIS DOCUMENT IS PROPRIETARY TO E-SWITCH AND IS NOT TO BE COPIED OR TRANSFERRED

A	UPDATED RATING TO 2A @ 24VDC	23596	10/8/18	MJR
REV.	INITIAL RELEASE	18187	10/07/12	CAB
	DESCRIPTION	PCR	DATE	DRAWN BY

DIMENSIONS	
INCHES [MILLIMETERS]	
GENERAL TOLERANCES	
±0.008 [±0.2] / ±1'	
SCALE	PROJECTION
DRAWING NOT TO SCALE	1:1

E-SWITCH

LAMB INDUSTRIES

PV4F2B0SS-341

DRAWING NUMBER	DATE	REVISION
52-PV4F2B0SS341	JULY 12, 2010	B

X-ON Electronics

Largest Supplier of Electrical and Electronic Components

Click to view similar products for [Pushbutton Switches](#) category:

Click to view products by [E-Switch](#) manufacturer:

Other Similar products are found below :

[8940K2012](#) [LW1L-M1C10V-A](#) [LW1L-M1C70-A](#) [LW2L-A1C20M-GD](#) [LW2L-M1C20M-A](#) [60324L](#) [M22-D-R-GB0/K11](#) [M7E-HRN2](#)
[67021K512](#) [67081K512X](#) [701PB580](#) [7190K101](#) [7199K101](#) [810K12910](#) [810KSV30B](#) [MML21EA2ADK](#) [MML21KA3ABK](#)
[MML23KA3AC05K-001](#) [MML23KW3AA01W](#) [8418K2](#) [8442K3](#) [8450K1](#) [860K11911T01A](#) [861901](#) [861K11911T01A07](#)
[861K13810T00A14](#) [861K13911](#) [8646AB6X718UL](#) [8646ABUL](#) [9001KXRK](#) [907AYY100](#) [PMHD155A1](#) [95-313.000](#)
[9533CD4+U574+U4922](#) [95-414.000](#) [99-450.837](#) [99-453.837](#) [PV3H2B0NN-341](#) [1203MRA](#) [A22NZBGANGA](#) [A22NZBMMNGA](#)
[A22NZBNANGA](#) [A22NZMPATRA](#) [A2PMA1X03EC56](#) [A3A-5123-02](#) [A3A-7140](#) [A3A-7310](#) [A3A-7340](#) [A3U-TMW-A2C-5M](#) [A595](#)