

# PV5 SERIES ANTI-VANDAL SWITCH

ANTI-VANDAL SWITCHES  
DETECTOR SWITCHES  
DIP SWITCHES  
KEYLOCK SWITCHES  
NAVIGATION SWITCHES  
PUSHBUTTON SWITCHES  
ROCKER SWITCHES  
ROTARY SWITCHES  
SLIDE SWITCHES  
SNAP ACTION SWITCHES  
TACTILE SWITCHES  
TOGGLE SWITCHES  
CAP OPTIONS



## APPLICATIONS / MARKETS



**RoHS**

## SPECIFICATIONS

**Electrical Rating:** 2A, 36VDC  
**Mechanical Life:** 1,000,000 Cycles  
**Electrical Life:** 200,000 Cycles  
**Contact Resistance:** 50mΩ Max.  
**Insulation Resistance:** 1000 MΩ Min.  
**Dielectric Strength:** 2,000VAC  
**Operating/Storage Temperature:** -25°C to 55°C  
**Travel:** 2.50mm  
**Moisture Protection:** IP65  
**Contact Arrangement:** SPST Off-(On)  
**Actuation Force:** 5 N  
**Panel Thickness:** 1-5mm  
**Mounting Nut Torque:** 0.3Nm

## FEATURES & BENEFITS

- Multiple actuator finish options
- Solder or screw termination options
- Raised or domed actuator options
- IP65 rated

## PART NUMBER CONFIGURATOR

Series	Actuator Options	Terminal Options	Function Options	Rating Options	Body Finish Options	Actuator Finish Options	Contact Material Options
<input type="text" value="PV5"/>	<input type="text" value="H - Raised&lt;br/&gt;S - Domed"/>	<input type="text" value="2 - Solder&lt;br/&gt;6 - Screw"/>	<input type="text" value="4 - 1 Pole&lt;br/&gt;Off - (On)*"/>	<input type="text" value="0 - 2A, 36VDC"/>	<input type="text" value="N - Nickel&lt;br/&gt;S - Polished Stainless&lt;br/&gt;1 - Black Anodized"/>	<input type="text" value="1 - Black&lt;br/&gt;2 - White&lt;br/&gt;6 - Yellow&lt;br/&gt;7 - Blue&lt;br/&gt;8 - Green&lt;br/&gt;9 - Red&lt;br/&gt;N - Nickel&lt;br/&gt;S - Polished Stainless"/>	<input type="text" value="NONE - Silver&lt;br/&gt;G - Gold"/>

**NOTES:**  
 \*(ON) Denotes function is momentary

*Specifications subject to change without notice*



**E-SWITCH®**

www.e-switch.com

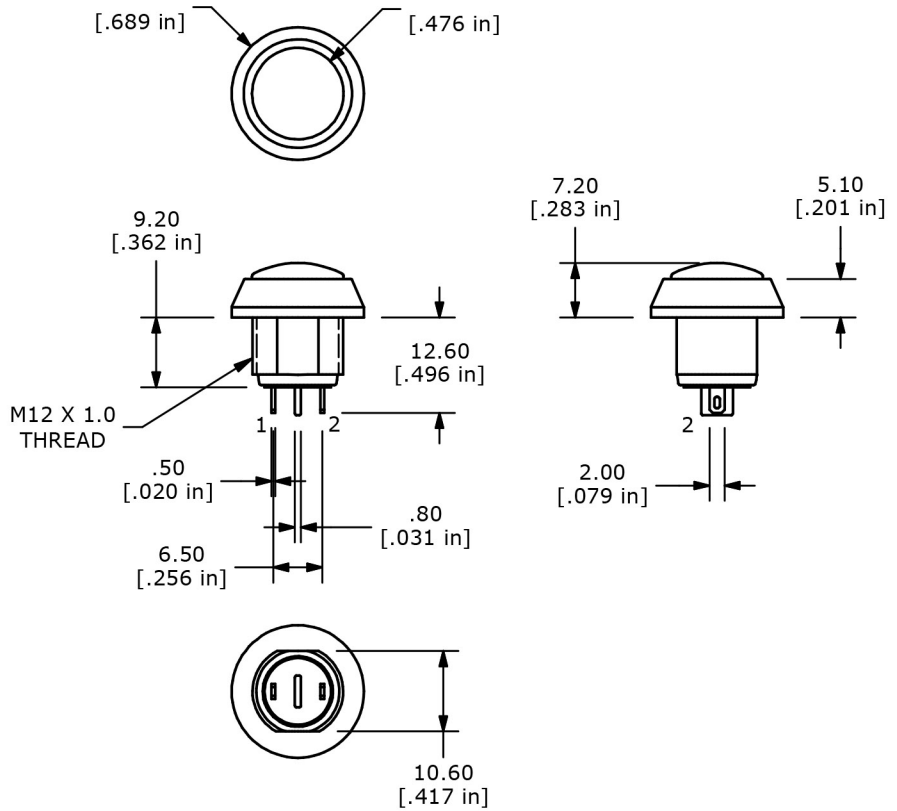
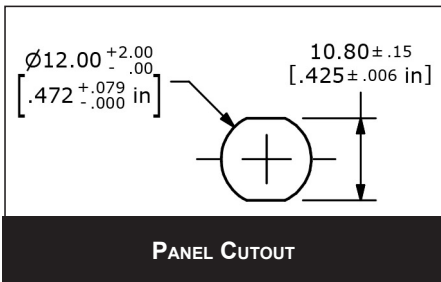
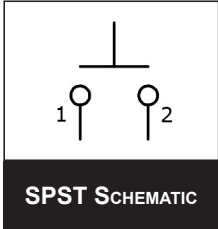
800.867.2717

1

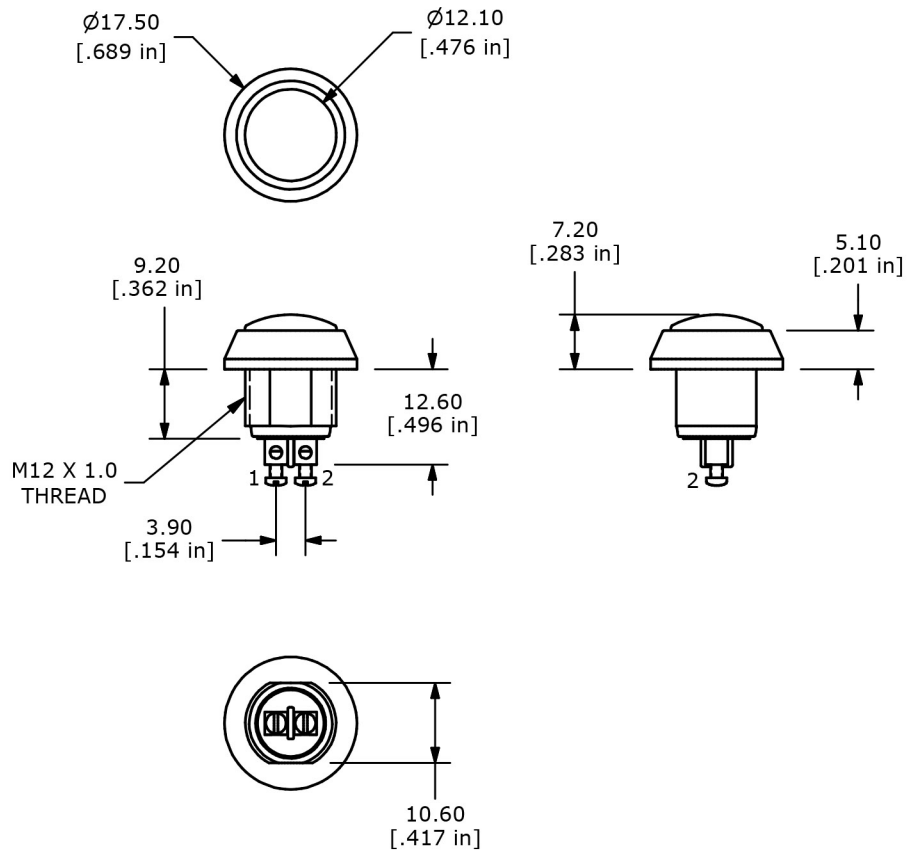
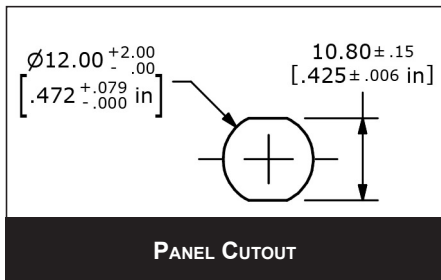
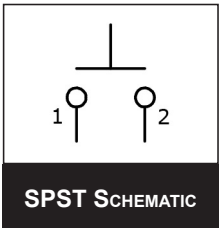
# PV5 SERIES ANTI-VANDAL SWITCH

## BODY DIMENSIONS - FLATS

### SOLDER TERMINATION



### SCREW TERMINATION

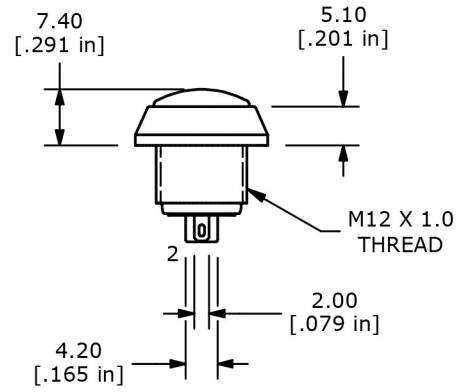
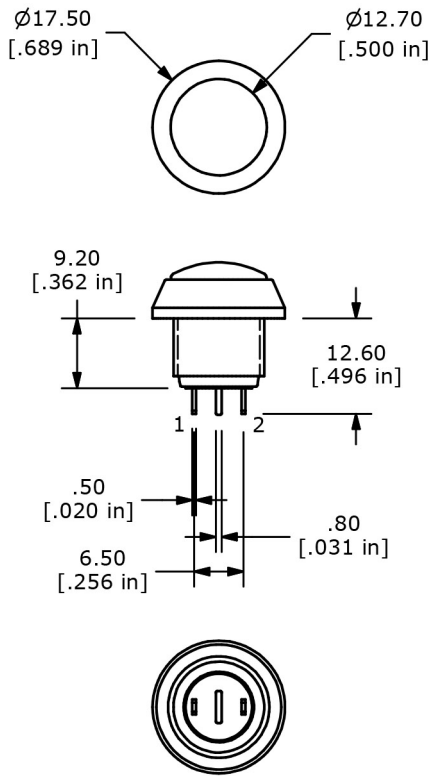
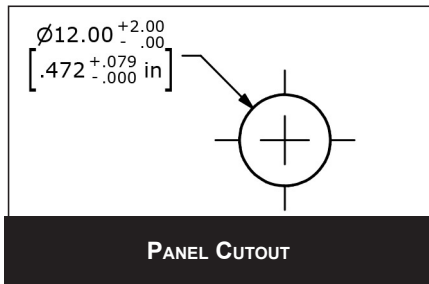
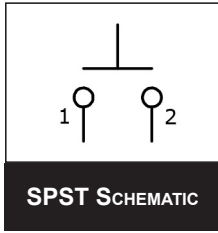


- ANTI-VANDAL SWITCHES
- DETECTOR SWITCHES
- DIP SWITCHES
- KEYLOCK SWITCHES
- NAVIGATION SWITCHES
- PUSHBUTTON SWITCHES
- ROCKER SWITCHES
- ROTARY SWITCHES
- SLIDE SWITCHES
- SNAP ACTION SWITCHES
- TACTILE SWITCHES
- TOGGLE SWITCHES
- CAP OPTIONS

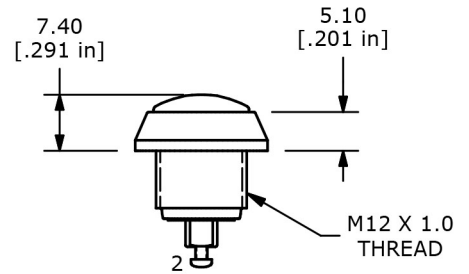
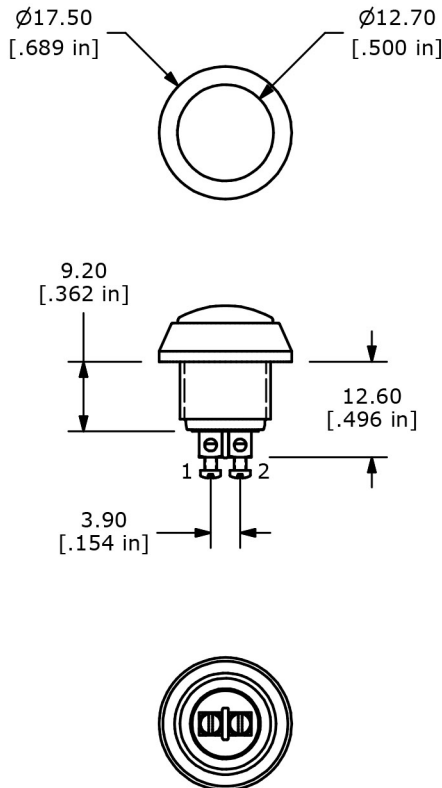
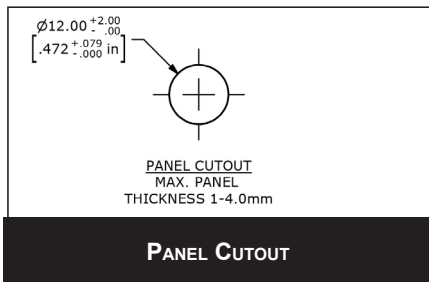
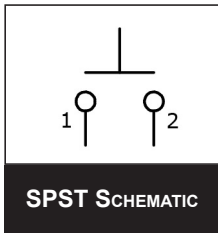
# PV5 SERIES ANTI-VANDAL SWITCH

## BODY DIMENSIONS - NICKEL, BLACK ANODIZED OR STAINLESS

### SOLDER TERMINATION



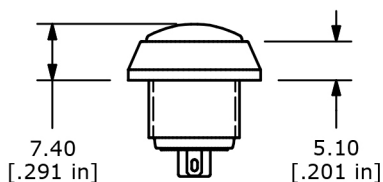
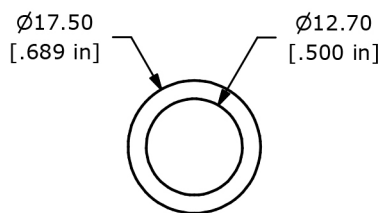
### SCREW TERMINATION



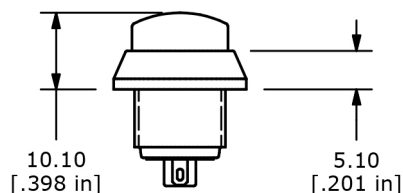
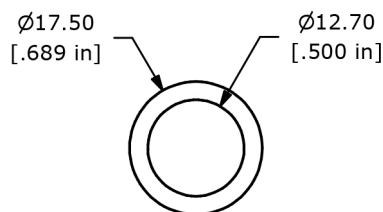
# PV5 SERIES ANTI-VANDAL SWITCH

## ACTUATOR OPTIONS

### NICKEL OR STAINLESS

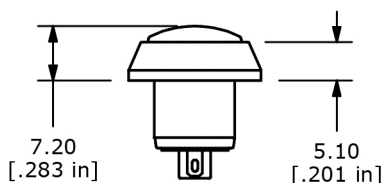
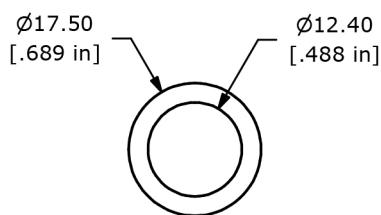


DOMED ACTUATOR

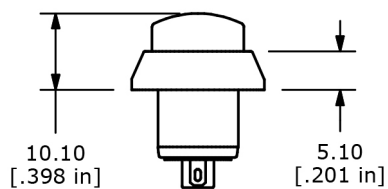
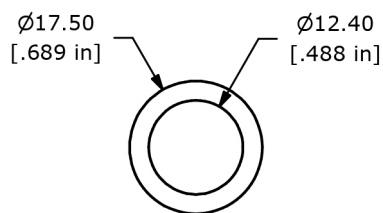


RAISED ACTUATOR

### BLACK, WHITE, YELLOW, BLUE, GREEN OR RED



DOMED ACTUATOR



RAISED ACTUATOR



## **X-ON Electronics**

Largest Supplier of Electrical and Electronic Components

*Click to view similar products for [Switch Fixings](#) category:*

*Click to view products by [E-Switch](#) manufacturer:*

Other Similar products are found below :

[893102000](#) [00-5150](#) [LZZ1A](#) [0098.9234](#) [61-9451.0](#) [M2PA-5011](#) [630155](#) [635401](#) [6PA113](#) [6PA147-E6](#) [6PA148-E6](#) [6PA32](#) [6PA9](#) [700106](#)  
[700109](#) [700303A56](#) [700C1GRY](#) [700C2GRN](#) [704-6001](#) [704.960.9](#) [704.965.2](#) [704.965.6](#) [704.966.0](#) [7089-3](#) [710082-B11](#) [71M1048](#)  
[757200264](#) [764300000](#) [MHU35](#) [MHU37](#) [807039-1](#) [825.003.011](#) [825.005.011](#) [825.053.011](#) [825.055.011](#) [826.000.071](#) [827.020.011](#)  
[827.400.021](#) [835.900.023](#) [MML52C10C](#) [MML52E10C](#) [MML92HGH](#) [MML93K](#) [84211M02CNNS](#) [84212M02CNNS](#) [84217A8.0LNOS](#)  
[842.500.011](#) [843.000.011](#) [843187-000](#) [843487-000](#)