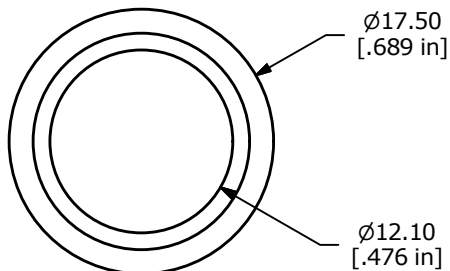
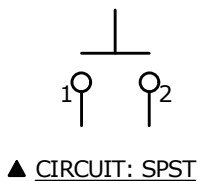


PANEL MOUNTING
MAX. PANEL THICKNESS 4mm



SWITCH FUNCTION	
POS. 1	POS. 2
OFF	(ON)
OPEN	1-2

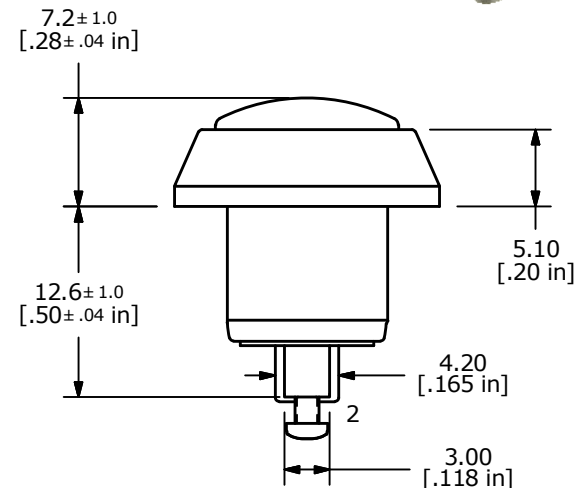
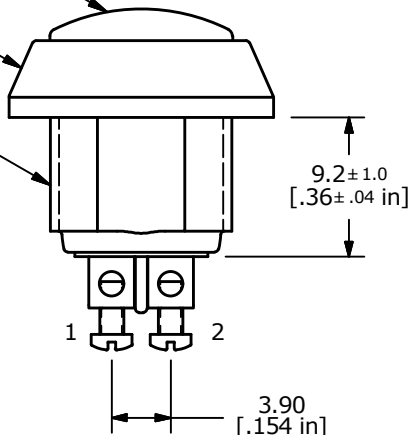
(ON) = MOMENTARY



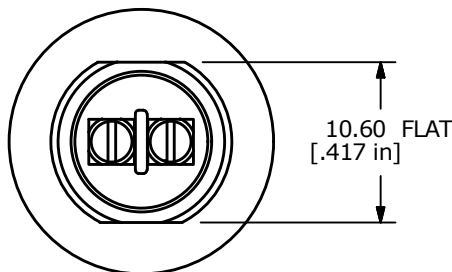
▲ DOMED ACTUATOR
COLOR: BLACK

▲ BODY COLOR:
BLACK ANODIZED

M12x1.0
THREAD



- NOTE:
- ALL DIMENSIONS IN MM [INCH]
 - GENERAL TOLERANCE: X.X=±0.4
X.XX=±0.25
 - TERMINAL NUMBERS FOR REF ONLY
 - ▲ CONTACT MATERIAL: SILVER
 - RATING: 2A @ 36 VDC
 - ELECTRICAL LIFE: 200,000 CYCLES
 - CONTACT RESISTANCE: 50 mΩ MAX. @ 1A 12VDC (INITIAL)
 - INSULATION RESISTANCE: 1,000 MΩ MIN. @ 500VDC.
 - DIELECTRIC STRENGTH: 2,000 VAC rms.
 - OPERATING TEMPERATURE: -20°C TO +70°C.
 - PANEL THICKNESS MAX: 4.0 mm.
 - INGRESS PROTECTION: IP65
 - ▲ DENOTES CRITICAL PARAMETER.
 - 2011/65/EU (ROHS) COMPLIANT
 - ▲ 15. HARDWARE INCLUDED, 1 O-RING & 1 HEX NUT.(NOT SHOWN)



B	22668	UPDATED FLAT ALIGNMENT	1/9/17	MJR
A	00051	RELEASE FOR PRODUCTION	8/5/09	CAB
REV	PCR NO	DESCRIPTION	DATE	BY

TITLE PV5S64011				
SCALE 2:1	DATE 8/5/2009	DR EBP	DWG 52-PV5S64011	REV B

THE INFORMATION CONTAINED IN THIS DOCUMENT IS PROPRIETARY TO E-SWITCH AND IS NOT TO BE COPIED OR TRANSFERRED

X-ON Electronics

Largest Supplier of Electrical and Electronic Components

Click to view similar products for [Pushbutton Switches](#) category:

Click to view products by [E-Switch](#) manufacturer:

Other Similar products are found below :

[8940K2012](#) [LW1L-M1C10V-A](#) [LW1L-M1C70-A](#) [LW2L-A1C20M-GD](#) [LW2L-M1C20M-A](#) [60324L](#) [M22-D-R-GB0/K11](#) [M7E-HRN2](#)
[67021K512](#) [67081K512X](#) [701PB580](#) [7190K101](#) [7199K101](#) [810K12910](#) [810KSV30B](#) [MML21EA2ADK](#) [MML21KA3ABK](#)
[MML23KA3AC05K-001](#) [MML23KW3AA01W](#) [8418K2](#) [8442K3](#) [8450K1](#) [860K11911T01A](#) [861901](#) [861K11911T01A07](#)
[861K13810T00A14](#) [861K13911](#) [8646AB6X718UL](#) [8646ABUL](#) [9001KXRK](#) [907AYY100](#) [PMHD155A1](#) [95-313.000](#)
[9533CD4+U574+U4922](#) [95-414.000](#) [99-450.837](#) [99-453.837](#) [PV3H2B0NN-341](#) [1203MRA](#) [A22NZBGANGA](#) [A22NZBMMNGA](#)
[A22NZBNANGA](#) [A22NZMPATRA](#) [A2PMA1X03EC56](#) [A3A-5123-02](#) [A3A-7140](#) [A3A-7310](#) [A3A-7340](#) [A3U-TMW-A2C-5M](#) [A595](#)