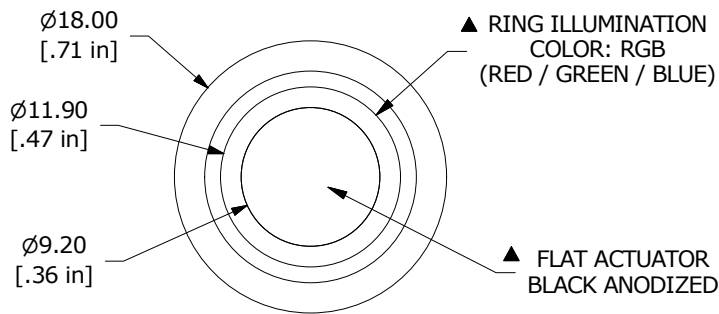


RECOMMENDED PANEL CUTOUT
 MAX. PANEL THICKNESS
 10.0mm [.315 in]



▲ RING ILLUMINATION
 COLOR: RGB
 (RED / GREEN / BLUE)

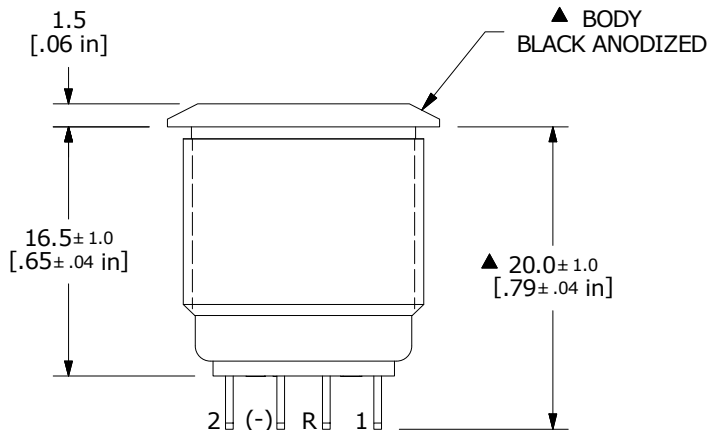
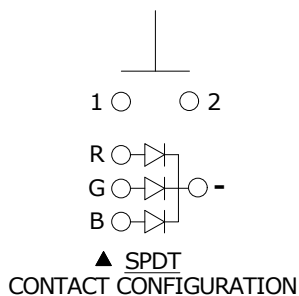
▲ FLAT ACTUATOR
 BLACK ANODIZED



▲ SWITCH FUNCTION

| POS. 1 | POS. 2 |
|--------|--------|
| | |
| OFF | (ON) |
| OPEN | 1-2 |

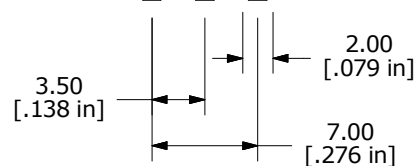
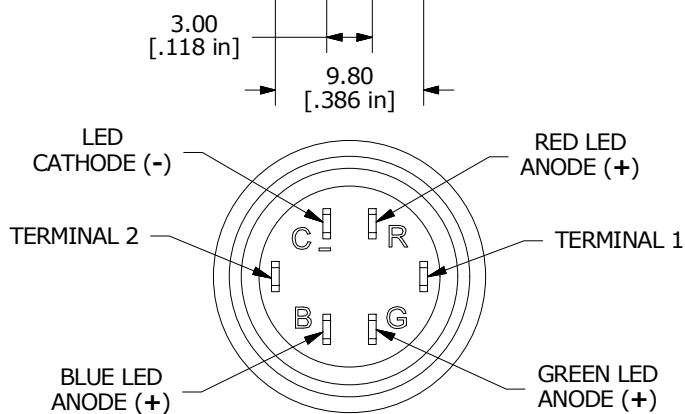
(ON) = MOMENTARY



▲ BODY
 BLACK ANODIZED

M16x1.0

- NOTE:
- ALL DIMENSIONS IN MM [INCH]
 - GENERAL TOLERANCE: X.X = ±0.4
X.XX = ±0.25
 - TERMINAL NUMBERS FOR REF ONLY
 - CONTACT MATERIAL: SILVER PLATED
 - RATING: 2A 48VDC
 - ELECTRIC LIFE: 200,000 MAKE-AND-BREAK CYCLES AT FULL LOAD.
 - INSULATION RESISTANCE: 1,000 MΩ MIN.
 - DIELECTRIC STRENGTH: 2,000 VAC MIN. FOR 1 MINUTE
 - CONTACT RESISTANCE: 50mΩ MAX. @ 1A 12VDC
 - OPERATING TEMP.: -20°C to 55°C
 - TRAVEL: 1.8mm
 - ▲ DENOTES CRITICAL PARAMETER
 - HARDWARE SUPPLIED: O-RING AND HEXNUT (NOT SHOWN)
 - ILLUMINATION BASE RATING @ 20mA:
 RED- 1.8V
 GREEN - 2.8V
 BLUE - 2.8V
 - 2011/65/EU (ROHS) COMPLIANT



| B | 22904 | update with new RGB terminal base | 6/15/17 | MW |
|-----|--------|-----------------------------------|---------|----|
| A | 22346 | RELEASE FOR PRODUCTION | 6/9/16 | MW |
| REV | PCR NO | DESCRIPTION | DATE | BY |

| | | | | |
|---------------------|---------------|-------|---------------------|-------|
| TITLE PV6F24011-3R1 | | | | |
| SCALE 2:1 | DATE 6/9/2016 | DR MW | DWG 52-PV6F240113R1 | REV B |

THE INFORMATION CONTAINED IN THIS DOCUMENT IS PROPRIETARY TO E-SWITCH AND IS NOT TO BE COPIED OR TRANSFERRED

X-ON Electronics

Largest Supplier of Electrical and Electronic Components

Click to view similar products for [Pushbutton Switches](#) category:

Click to view products by [E-Switch](#) manufacturer:

Other Similar products are found below :

[8940K2012](#) [LW1L-M1C10V-A](#) [LW1L-M1C70-A](#) [LW2L-A1C20M-GD](#) [LW2L-M1C20M-A](#) [60324L](#) [M22-D-R-GB0/K11](#) [M7E-HRN2](#)
[67021K512](#) [67081K512X](#) [701PB580](#) [7190K101](#) [7199K101](#) [810K12910](#) [810KSV30B](#) [MML21EA2ADK](#) [MML21KA3ABK](#)
[MML23KA3AC05K-001](#) [MML23KW3AA01W](#) [8418K2](#) [8442K3](#) [8450K1](#) [860K11911T01A](#) [861901](#) [861K11911T01A07](#)
[861K13810T00A14](#) [861K13911](#) [8646AB6X718UL](#) [8646ABUL](#) [9001KXRK](#) [907AYY100](#) [PMHD155A1](#) [95-313.000](#)
[9533CD4+U574+U4922](#) [95-414.000](#) [99-450.837](#) [99-453.837](#) [PV3H2B0NN-341](#) [1203MRA](#) [A22NZBGANGA](#) [A22NZBMMNGA](#)
[A22NZBNANGA](#) [A22NZMPATRA](#) [A2PMA1X03EC56](#) [A3A-5123-02](#) [A3A-7140](#) [A3A-7310](#) [A3A-7340](#) [A3U-TMW-A2C-5M](#) [A595](#)