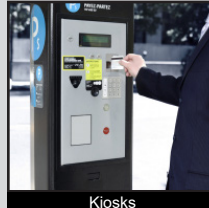


PV6 SERIES ANTI-VANDAL SWITCH

ANTI-VANDAL SWITCHES
DETECTOR SWITCHES
DIP SWITCHES
KEYLOCK SWITCHES
NAVIGATION SWITCHES
PUSHBUTTON SWITCHES
ROCKER SWITCHES
ROTARY SWITCHES
SLIDE SWITCHES
SNAP ACTION SWITCHES
TACTILE SWITCHES
TOGGLE SWITCHES
CAP OPTIONS



APPLICATIONS / MARKETS



SPECIFICATIONS

Electrical Rating: 2A, 48VDC
Mechanical Life: 1,000,000 Cycles
Electrical Life: 50,000 Cycles
Contact Resistance: 50mΩ Max.
Insulation Resistance: 1000 MΩ Min.
Dielectric Strength: 2,000VAC
Operating/Storage Temperature: -20°C to 55°C
Travel: 1.80mm (Non-Illuminated)
 2.20mm (Illuminated)
Moisture Protection: IP65
Contact Arrangement: SPST Off-(On)
Actuation Force: 400 gf
Panel Thickness: 1-10mm
Mounting Nut Torque: 5-14Nm

FEATURES & BENEFITS

- 16mm diameter panel cutout
- Single, Bi-color, and RGB LED options
- Dot or ring illumination options available
- Illuminated ring with laser etched power symbol graphic option
- Illuminated ring and power symbol graphic option
- Multiple actuator options
- Pilot indicator option
- IP65 rated, Off-(On), SPST

PART NUMBER CONFIGURATOR

Series	Actuator Options	Terminal Options	Function Options	Rating Options	Body Finish Options	Actuator Finish Options	Contact Material Options	Lens Style Options	LED Color Options	Illumination Voltage Options	Graphic Options
PV6	F - Flat H - High	2 - Solder	4 - Off - (On)* P - Pilot Indicator**	0 - 2A, 48VDC X - Pilot Indicator	N - Nickel Plated S - Stainless Steel 1 - Black Anodized	N - Nickel Plated S - Stainless Steel 1 - Black Anodized	NONE - Silver G - Gold	NONE - Non-Illuminated 2 - Dot Illumination 3 - Ring Illumination	NONE - Non-Illuminated 0 - White 1 - Red 2 - Orange 3 - Green 4 - Blue 5 - Yellow F - Red/Orange G - Red/Green H - Red/Blue J - Red/Yellow K - Orange/Green L - Orange/Blue M - Orange/Yellow R - RGB	NONE - Non-Illuminated 1 - Base Voltage [‡]	NONE - Base M01 - Illuminated Ring Laser Etched Power Symbol M15 - Illuminated Ring and Power Symbol

NOTES:
 *(On) denotes function is momentary
 **Pilot indicator does not have internal switch contacts, only illumination
[‡]Base voltage for LED colors red, yellow, and orange is 1.8V @ 20mA
[‡]Base voltage for LED colors blue, green and white is 2.8V @ 20mA

Specifications subject to change without notice 4.3.2020



E-SWITCH®

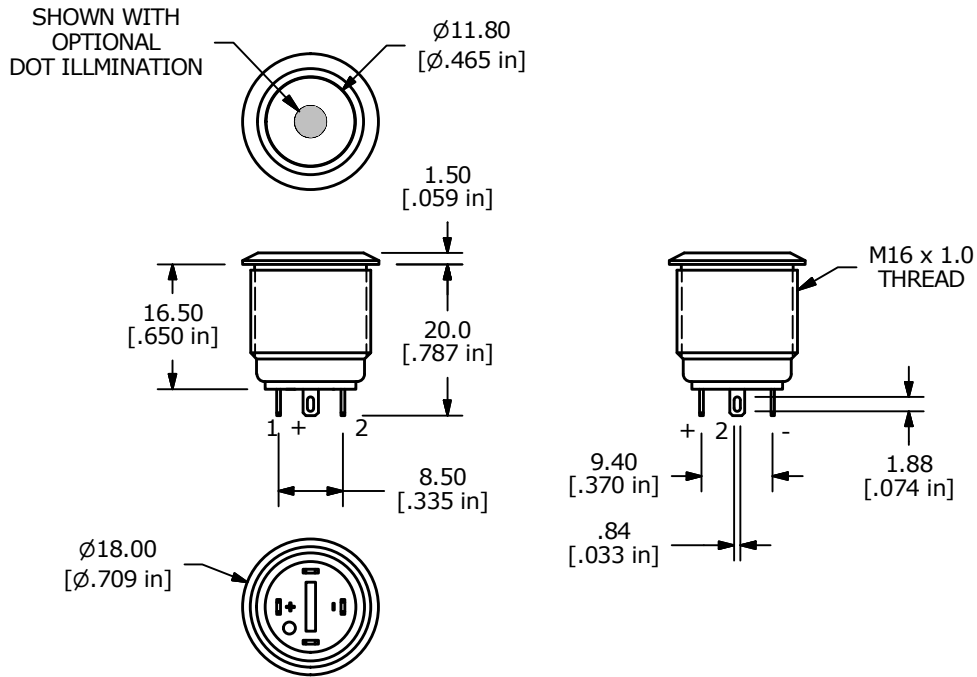
www.e-switch.com

800.867.2717

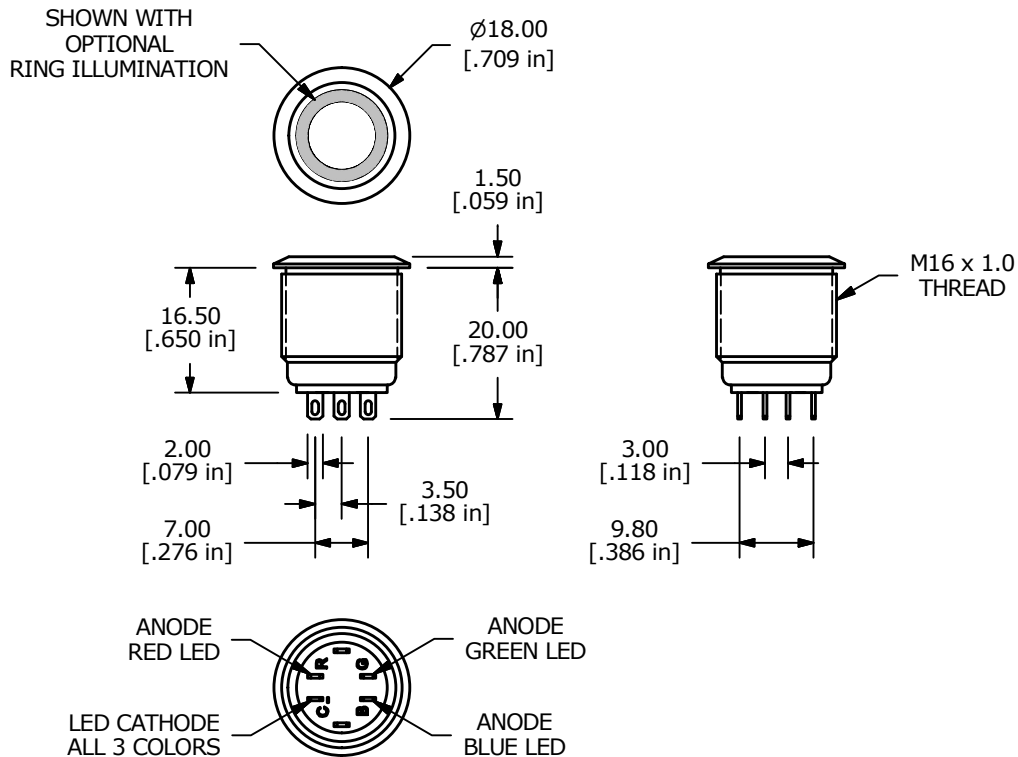
1

PV6 SERIES ANTI-VANDAL SWITCH

BODY DIMENSIONS LED ILLUMINATION

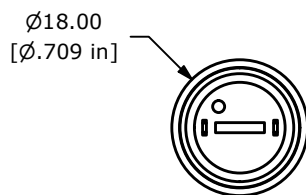
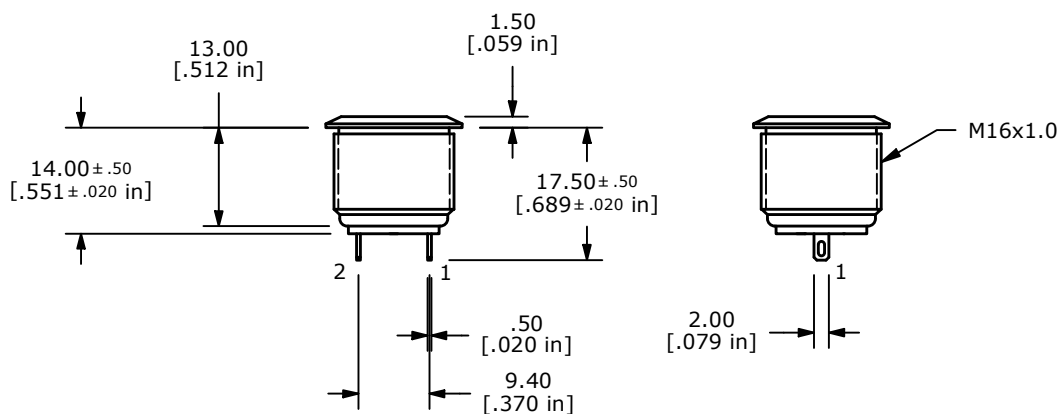
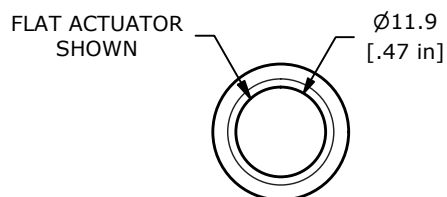


BODY DIMENSIONS RGB ILLUMINATION

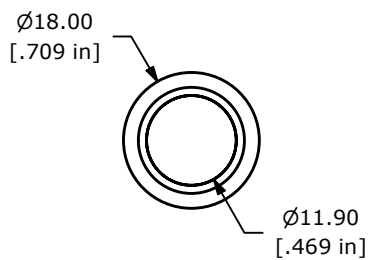


PV6 SERIES ANTI-VANDAL SWITCH

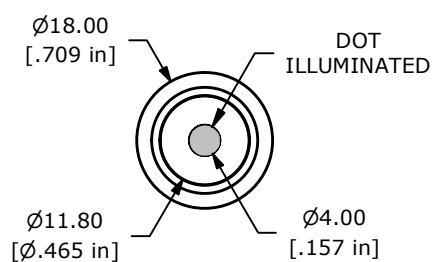
BODY DIMENSIONS NON ILLUMINATED



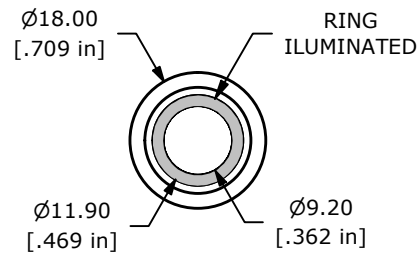
ILLUMINATION OPTIONS



NON-ILLUMINATED



DOT ILLUMINATED

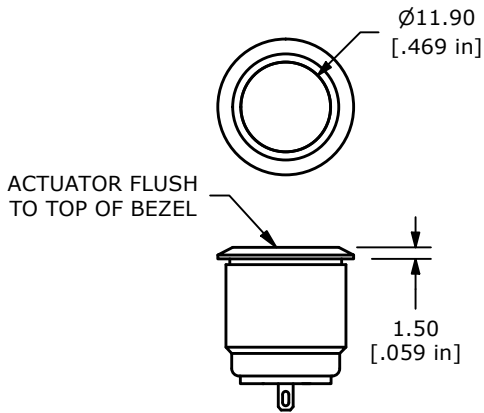


RING ILLUMINATED

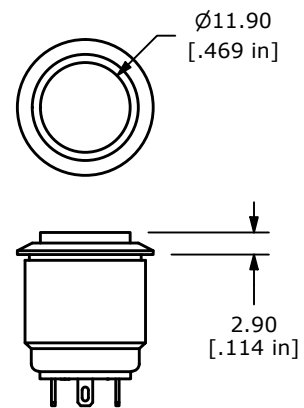


PV6 SERIES ANTI-VANDAL SWITCH

ACTUATOR OPTIONS

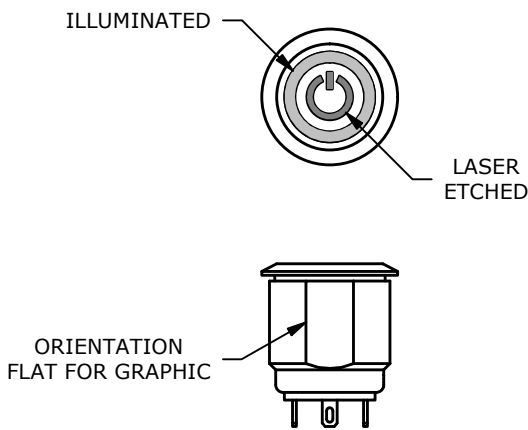


FLAT ACTUATOR

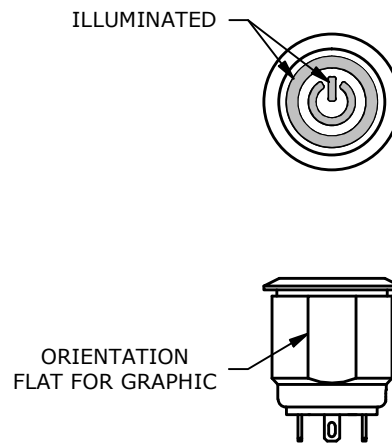


HIGH ACTUATOR

GRAPHIC OPTIONS

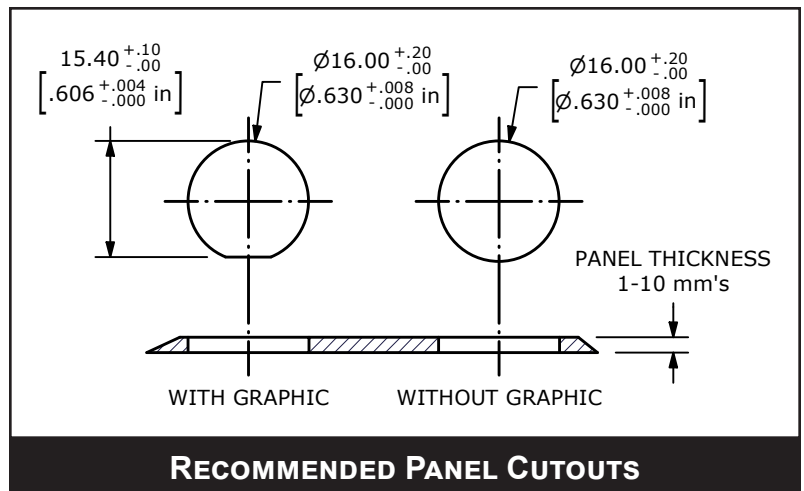
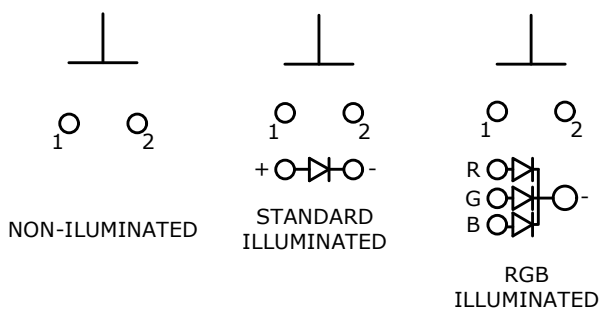


M01 - ILLUMINATED RING LASER ETCHED POWER SYMBOL



M15 - ILLUMINATED RING AND POWER SYMBOL

SCHEMATICS AND PANEL CUTOUTS



RECOMMENDED PANEL CUTOUTS



ANTI-VANDAL SWITCHES
DETECTOR SWITCHES
DIP SWITCHES
KEYLOCK SWITCHES
NAVIGATION SWITCHES
PUSHBUTTON SWITCHES
ROCKER SWITCHES
ROTARY SWITCHES
SLIDE SWITCHES
SNAP ACTION SWITCHES
TACTILE SWITCHES
TOGGLE SWITCHES
CAP OPTIONS

X-ON Electronics

Largest Supplier of Electrical and Electronic Components

Click to view similar products for [Pushbutton Switches](#) category:

Click to view products by [E-Switch](#) manufacturer:

Other Similar products are found below :

[8940K2012](#) [LW1L-M1C10V-A](#) [LW1L-M1C70-A](#) [LW2L-A1C20M-GD](#) [LW2L-M1C20M-A](#) [60324L](#) [M22-D-R-GB0/K11](#) [M7E-HRN2](#)
[67021K512](#) [67081K512X](#) [701PB580](#) [7190K101](#) [7199K101](#) [810K12910](#) [810KSV30B](#) [MML21EA2ADK](#) [MML21KA3ABK](#)
[MML23KA3AC05K-001](#) [MML23KW3AA01W](#) [8418K2](#) [8442K3](#) [8450K1](#) [860K11911T01A](#) [861901](#) [861K11911T01A07](#)
[861K13810T00A14](#) [861K13911](#) [8646AB6X718UL](#) [8646ABUL](#) [9001KXRK](#) [907AYY100](#) [PMHD155A1](#) [95-313.000](#)
[9533CD4+U574+U4922](#) [95-414.000](#) [99-450.837](#) [99-453.837](#) [PV3H2B0NN-341](#) [1203MRA](#) [A22NZBGANGA](#) [A22NZBMMNGA](#)
[A22NZBNANGA](#) [A22NZMPATRA](#) [A2PMA1X03EC56](#) [A3A-5123-02](#) [A3A-7140](#) [A3A-7310](#) [A3A-7340](#) [A3U-TMW-A2C-5M](#) [A595](#)