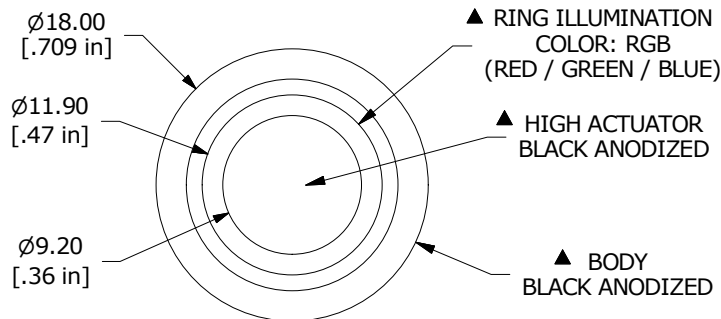


RECOMMENDED PANEL CUTOUT  
MAX. PANEL THICKNESS  
10.0mm [.315 in]



▲ RING ILLUMINATION  
COLOR: RGB  
(RED / GREEN / BLUE)

▲ HIGH ACTUATOR  
BLACK ANODIZED

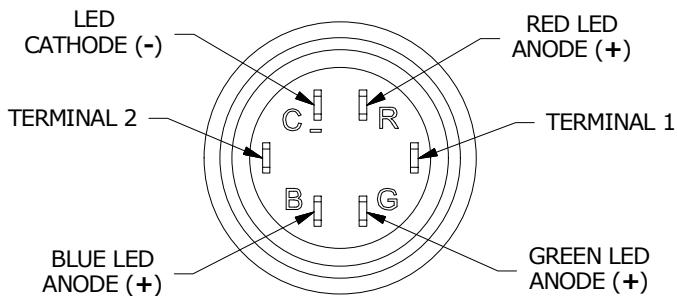
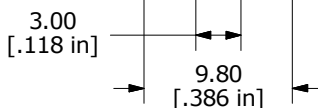
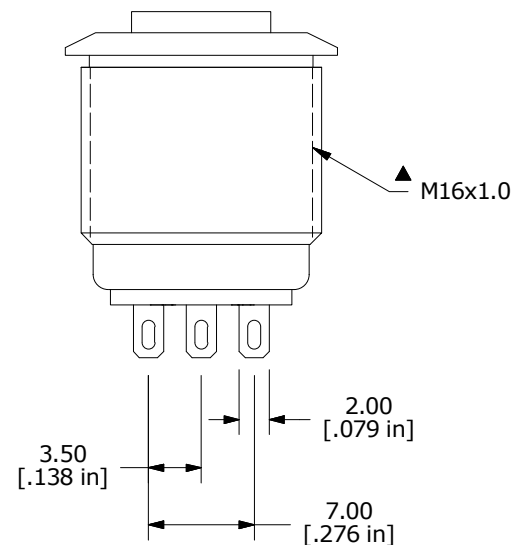
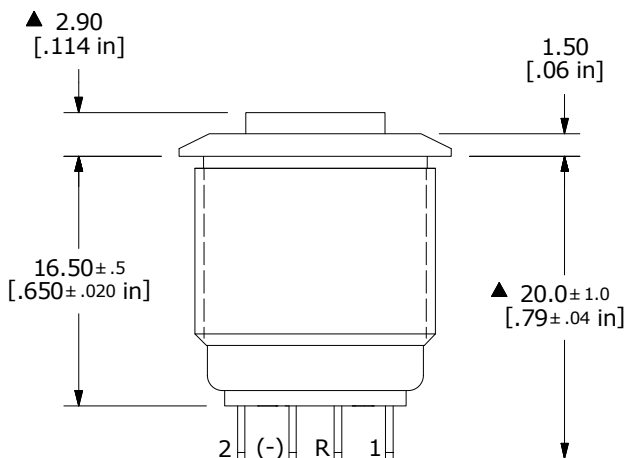
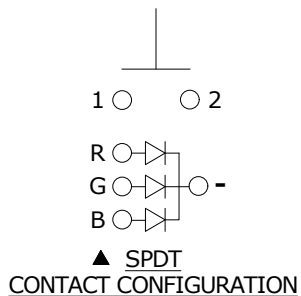
▲ BODY  
BLACK ANODIZED



▲ SWITCH FUNCTION

| POS. 1 | POS. 2 |
|--------|--------|
|        |        |
| OFF    | (ON)   |
| OPEN   | 1-2    |

(ON) = MOMENTARY



- NOTE:
- ALL DIMENSIONS IN MM [INCH]
  - GENERAL TOLERANCE: X.X = ±0.4  
X.XX = ±0.25
  - TERMINAL NUMBERS FOR REF ONLY
  - ▲ CONTACT MATERIAL: SILVER PLATED
  - RATING: 2A 48VDC
  - ELECTRIC LIFE: 200,000 MAKE-AND-BREAK CYCLES AT FULL LOAD.
  - INSULATION RESISTANCE: 1,000 MΩ MIN.
  - DIELECTRIC STRENGTH: 2,000 VAC MIN. FOR 1 MINUTE
  - CONTACT RESISTANCE: 50mΩ MAX. @ 1A 12VDC
  - OPERATING TEMP.: -20°C to 55°C
  - TRAVEL: 1.8mm
  - ▲ DENOTES CRITICAL PARAMETER.
  - ▲ 13. HARDWARE SUPPLIED: O-RING AND HEXNUT (NOT SHOWN)
  - ▲ 14. ILLUMINATION BASE RATING @ 20mA:  
RED - 1.8V  
GREEN - 2.8V  
BLUE - 2.8V
  - 2011/65/EU (ROHS) COMPLIANT



| REV | PCR NO | DESCRIPTION                       | DATE    | BY  |
|-----|--------|-----------------------------------|---------|-----|
| B   | 22904  | update with new RGB terminal base | 6/15/17 | MW  |
| A   | 22524  | NEW RELEASE                       | 9/26/16 | MJR |

|                     |                |        |                     |       |
|---------------------|----------------|--------|---------------------|-------|
| TITLE PV6H24011-3R1 |                |        |                     |       |
| SCALE 2:1           | DATE 9/26/2016 | DR MJR | DWG 52-PV6H240113R1 | REV B |

THE INFORMATION CONTAINED IN THIS DOCUMENT IS PROPRIETARY TO E-SWITCH AND IS NOT TO BE COPIED OR TRANSFERRED

## X-ON Electronics

Largest Supplier of Electrical and Electronic Components

*Click to view similar products for [Pushbutton Switches](#) category:*

*Click to view products by [E-Switch](#) manufacturer:*

Other Similar products are found below :

[8940K2012](#) [LW1L-M1C10V-A](#) [LW1L-M1C70-A](#) [LW2L-A1C20M-GD](#) [LW2L-M1C20M-A](#) [60324L](#) [M22-D-R-GB0/K11](#) [M7E-HRN2](#)  
[67021K512](#) [67081K512X](#) [701PB580](#) [7190K101](#) [7199K101](#) [810K12910](#) [810KSV30B](#) [MML21EA2ADK](#) [MML21KA3ABK](#)  
[MML23KA3AC05K-001](#) [MML23KW3AA01W](#) [8418K2](#) [8442K3](#) [8450K1](#) [860K11911T01A](#) [861901](#) [861K11911T01A07](#)  
[861K13810T00A14](#) [861K13911](#) [8646AB6X718UL](#) [8646ABUL](#) [9001KXRK](#) [907AYY100](#) [PMHD155A1](#) [95-313.000](#)  
[9533CD4+U574+U4922](#) [95-414.000](#) [99-450.837](#) [99-453.837](#) [PV3H2B0NN-341](#) [1203MRA](#) [A22NZBGANGA](#) [A22NZBMMNGA](#)  
[A22NZBNANGA](#) [A22NZMPATRA](#) [A2PMA1X03EC56](#) [A3A-5123-02](#) [A3A-7140](#) [A3A-7310](#) [A3A-7340](#) [A3U-TMW-A2C-5M](#) [A595](#)