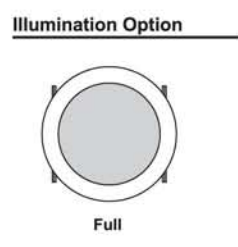
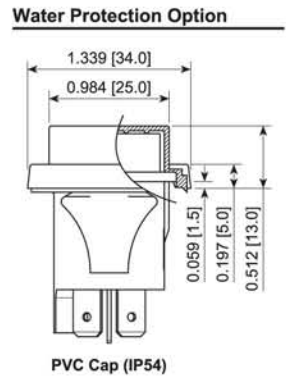
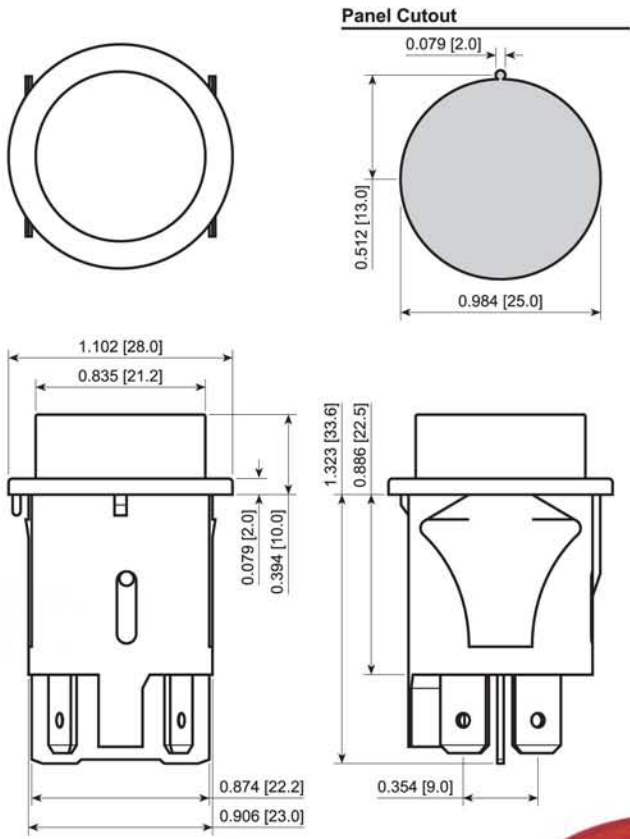


PR1 Series



PUSHBUTTON



- FEATURES**
- High Rating with UL and VDE Approvals
 - Maintained and Momentary Option
 - PVC Cap for Water and Dust Protection

SPECIFICATIONS:

RATING: RATING OPTION C:
16A 125VAC [UR, cUR]
3/4HP 250VAC [UR, cUR]
16(6)A 250V~ 1E4 T125 [VDE]
10(4)A 250V~ 5E4 T125 [VDE]

TEMPERATURE: -20°C to 105°C [UR, cUR]
-20°C to 125°C [VDE]

ELECTRICAL LIFE: 10,000 Cycles
CONTACT RESISTANCE: 35mΩ Max.
INSULATION RESISTANCE: 100MΩ Min. at 500VDC
DIELECTRIC STRENGTH: 1,500VAC for 1 Minute
INGRESS PROTECTION: IP54 with PVC Cap

MATERIALS:

Body: Polyamide 6/6, UL94 V-2
Actuator: Polyamide 6/6, UL94 V-2
Polycarbonate, UL94 V-2
CONTACTS: Silver Alloy
TERMINALS: Silver Plated Brass



Series	Terminal	Function	Rating	Body Color	Actuator Color	Marking Color	Marking Type	Lens Style	Lens Color	Lamp Voltage
PR1	4 - 6.3mm Tabs	1 Pole: 1 - Off-On 4 - Off-(On) 2 Pole: 2 - Off-On E - Off-(On)	C - 16A 125VAC	1 - Black 2 - White 3 - Almond 4 - Grey 9 - Red	0 - Full Illum. 1 - Black 2 - White 3 - Almond 4 - Grey 5 - Orange 7 - Blue 8 - Green 9 - Red	0 - None 1 - Black 2 - White 8 - Red	0 - None 1 - Power Symbol Vert. 3 - Reset Symbol Vert. 5 - POWER Vert. 7 - RESET Vert.	1 - Full	0 - Clear 1 - Red 2 - Amber 3 - Green 4 - Blue	3 - 6V 4 - 12V 5 - 24V 6 - 125V 7 - 250V

Accessories Series: ACC Type: F03 Options: Colors for Frame: 1 - Black, 2 - White

Custom Colors and Markings Available Upon Request For Illuminated Switches Only

EXAMPLE PART NUMBERS:

PR141C1100 1P Off-On
Black Body/Actuator, No Marking

PR141C1900 1P Off-On
Black Body, Red Actuator, No Marking

PR144C1900 1P Off-(On)
Black Body, Red Actuator, No Marking



SPECIFICATIONS SUBJECT TO CHANGE WITHOUT NOTICE

X-ON Electronics

Largest Supplier of Electrical and Electronic Components

Click to view similar products for [Pushbutton Switches](#) category:

Click to view products by [E-Switch](#) manufacturer:

Other Similar products are found below :

[8940K2012](#) [LW1L-M1C10V-A](#) [LW1L-M1C70-A](#) [LW2L-A1C20M-GD](#) [LW2L-M1C20M-A](#) [60324L](#) [M22-D-R-GB0/K11](#) [M7E-HRN2](#)
[67021K512](#) [67081K512X](#) [701PB580](#) [7190K101](#) [7199K101](#) [810K12910](#) [810KSV30B](#) [MML21EA2ADK](#) [MML21KA3ABK](#)
[MML23KA3AC05K-001](#) [MML23KW3AA01W](#) [8418K2](#) [8442K3](#) [8450K1](#) [860K11911T01A](#) [861901](#) [861K11911T01A07](#)
[861K13810T00A14](#) [861K13911](#) [8646AB6X718UL](#) [8646ABUL](#) [9001KXRK](#) [907AYY100](#) [PMHD155A1](#) [95-313.000](#)
[9533CD4+U574+U4922](#) [95-414.000](#) [99-450.837](#) [99-453.837](#) [PV3H2B0NN-341](#) [1203MRA](#) [A22NZBGANGA](#) [A22NZBMMNGA](#)
[A22NZBNANGA](#) [A22NZMPATRA](#) [A2PMA1X03EC56](#) [A3A-5123-02](#) [A3A-7140](#) [A3A-7310](#) [A3A-7340](#) [A3U-TMW-A2C-5M](#) [A595](#)