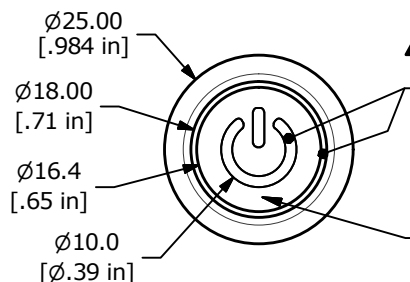


RECOMMENDED PANEL CUTOUT
 MAX. PANEL THICKNESS 12mm



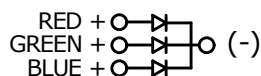
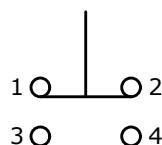
▲ POWER SYMBOL / RING ILLUMINATION
 COLOR: RGB (RED / GREEN / BLUE)

▲ ACTUATOR BLACK ANODIZED

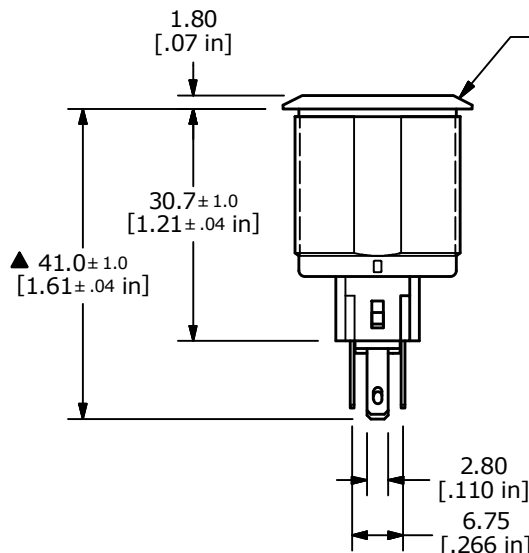


▲ SWITCH FUNCTION

POS. 1	POS. 2
1-2 ON 3-4 OFF	1-2 OFF 3-4 ON

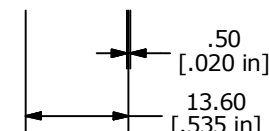
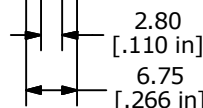


▲ SPDT ON-OFF / OFF-ON CONTACT CONFIGURATION



▲ BODY BLACK ANODIZED

21.35 ± .10 FLAT [.841 ± .004 in]
 M22x1.0



BLUE DOT INDICATES BLUE ANODE (+) TERMINAL FOR LED

BLACK DOT INDICATES CATHODE (-) TERMINAL FOR LED

TERMINALS 1 and 2

TERMINALS 3 and 4

GREEN DOT INDICATES GREEN ANODE (+) TERMINAL FOR LED

RED DOT INDICATES RED ANODE (+) TERMINAL FOR LED

NOTE:

- ALL DIMENSIONS IN MM [INCH]
- GENERAL TOLERANCE: X.X = ± 0.4
 X.XX = ± 0.25
- TERMINAL NOS. FOR REF. ONLY
- RATING: 2A @ 48VDC
- CONTACT RESISTANCE: 50mΩ MAX. @ 1A 12VDC
- INSULATION RESISTANCE: 1,000MΩ @ 500VDC
- DIELECTRIC STRENGTH: 2,000VAC MIN. FOR 1 MINUTE
- ELECTRICAL LIFE: 50,000 CYCLES
- OPERATING TEMPERATURE: -20°C to 55°C
- ACTUATION FORCE: 4N
- INGRESS PROTECTION: IP65
- ▲ DENOTES CRITICAL PARAMETER
- HARDWARE INCLUDED (NOT SHOWN) HEX NUT AND O-RING
- ILLUMINATION VOLTAGE:
 RED: 1.8V
 GREEN: 2.8V
 Blue: 2.8V



A	23816	NEW RELEASE	3/21/19	MW
REV	PCR NO	DESCRIPTION	DATE	BY

TITLE	PV7F2T011-3R1-M03			
-------	-------------------	--	--	--

SCALE	DATE	DR	DWG	REV
1:1	3/21/2019	MW	52-PV7F2T0113R1M03	A

THE INFORMATION CONTAINED IN THIS DOCUMENT IS PROPRIETARY TO E-SWITCH AND IS NOT TO BE COPIED OR TRANSFERRED

X-ON Electronics

Largest Supplier of Electrical and Electronic Components

Click to view similar products for [Pushbutton Switches](#) category:

Click to view products by [E-Switch](#) manufacturer:

Other Similar products are found below :

[8940K2012](#) [LW1L-M1C10V-A](#) [LW1L-M1C70-A](#) [LW2L-A1C20M-GD](#) [LW2L-M1C20M-A](#) [60324L](#) [M22-D-R-GB0/K11](#) [M7E-HRN2](#)
[67021K512](#) [67081K512X](#) [701PB580](#) [7190K101](#) [7199K101](#) [810K12910](#) [810KSV30B](#) [MML21EA2ADK](#) [MML21KA3ABK](#)
[MML23KA3AC05K-001](#) [MML23KW3AA01W](#) [8418K2](#) [8442K3](#) [8450K1](#) [860K11911T01A](#) [861901](#) [861K11911T01A07](#)
[861K13810T00A14](#) [861K13911](#) [8646AB6X718UL](#) [8646ABUL](#) [9001KXRK](#) [907AYY100](#) [PMHD155A1](#) [95-313.000](#)
[9533CD4+U574+U4922](#) [95-414.000](#) [99-450.837](#) [99-453.837](#) [PV3H2B0NN-341](#) [1203MRA](#) [A22NZBGANGA](#) [A22NZBMMNGA](#)
[A22NZBNANGA](#) [A22NZMPATRA](#) [A2PMA1X03EC56](#) [A3A-5123-02](#) [A3A-7140](#) [A3A-7310](#) [A3A-7340](#) [A3U-TMW-A2C-5M](#) [A595](#)