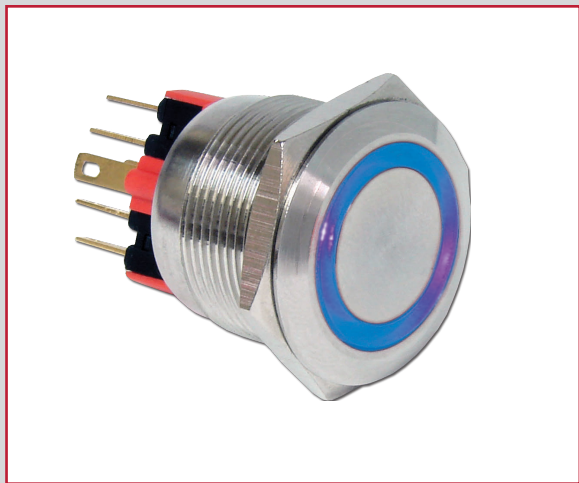


PV7 SERIES ANTI-VANDAL SWITCH

ANTI-VANDAL SWITCHES
DETECTOR SWITCHES
DIP SWITCHES
KEYLOCK SWITCHES
NAVIGATION SWITCHES
PUSHBUTTON SWITCHES
ROCKER SWITCHES
ROTARY SWITCHES
SLIDE SWITCHES
SNAP ACTION SWITCHES
TACTILE SWITCHES
TOGGLE SWITCHES
CAP OPTIONS



APPLICATIONS / MARKETS



RoHS

SPECIFICATIONS

Electrical Rating: 2A, 48VDC
Electrical Life: 50,000 Cycles
Contact Resistance: 50mΩ Max.
Insulation Resistance: 1000 MΩ Min. @ 500VDC
Dielectric Strength: 2,000VAC
Operating/Storage Temperature: -20°C to 55°C
Travel: 2.20mm
Moisture Protection: IP65
Contact Arrangement: SPDT
Actuation Force: 4 N
Panel Thickness: 1-8mm for Y Function
 1-12mm for T function
Mounting Nut Torque: 5-14Nm

FEATURES & BENEFITS

- 22mm diameter panel cutout
- RGB LED option
- Dot, ring or power symbol illumination available
- Multiple function options
- IP65 rated
- SPDT
- Soldered wire leads (300mm long) optional

PART NUMBER CONFIGURATOR

Series	Actuator Options	Terminal Options	Function Options	Rating Options	Body Finish Options	Actuator Finish Options	Lens Style Options	LED-Color Options	Illumination Voltage Options	Graphic (Optional)
<input type="text" value="PV7"/>	<input type="text" value="F - Flat"/>	<input type="text" value="2 - Solder
W - Wire Leads
300mm long"/>	<input type="text" value="T -
1 Pole
Off - On
1 Pole
On - Off
Y -
1 Pole
Off - (On)
1 Pole
On - (Off)"/>	<input type="text" value="0 - 2A,
48VDC"/>	<input type="text" value="N - Nickel
Plated
S - Stainless
Steel
1 - Black
Anodized"/>	<input type="text" value="N - Nickel
Plated
S - Stainless
Steel
1 - Black
Anodized"/>	<input type="text" value="NONE - Non-
Illuminated
2 - Dot
Illumination
3 - Ring
Illumination"/>	<input type="text" value="NONE - Non-
Illuminated
0 - White
1 - Red
2 - Orange
3 - Green
4 - Blue
5 - Yellow
F - Red/Orange
G - Red/Green
H - Red/Blue
J - Red/Yellow
K - Orange/Green
L - Orange/Blue
M - Orange/Yellow
R - RGB LED"/>	<input type="text" value="NONE - Non-
Illuminated
1 - Base Voltage
3 - 6V
4 - 12V
5 - 24V
6 - 125V
7 - 250V"/>	<input type="text" value="M01 - Power
symbol (sm)
laser etched
M03 - Power
symbol
illuminated
M16 - Power
symbol (lg)
laser etched"/>

NOTES:
 *() denotes function is momentary

Specifications subject to change without notice 5.2.2019



E-SWITCH®

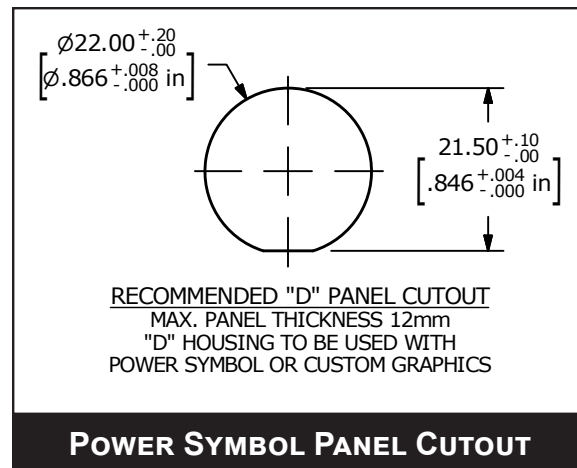
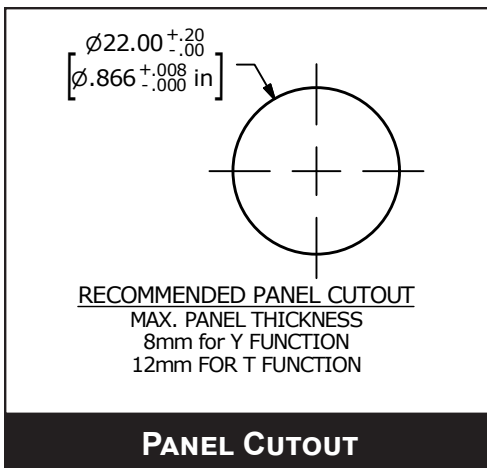
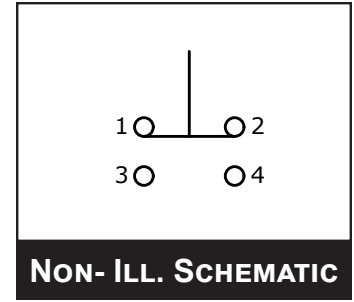
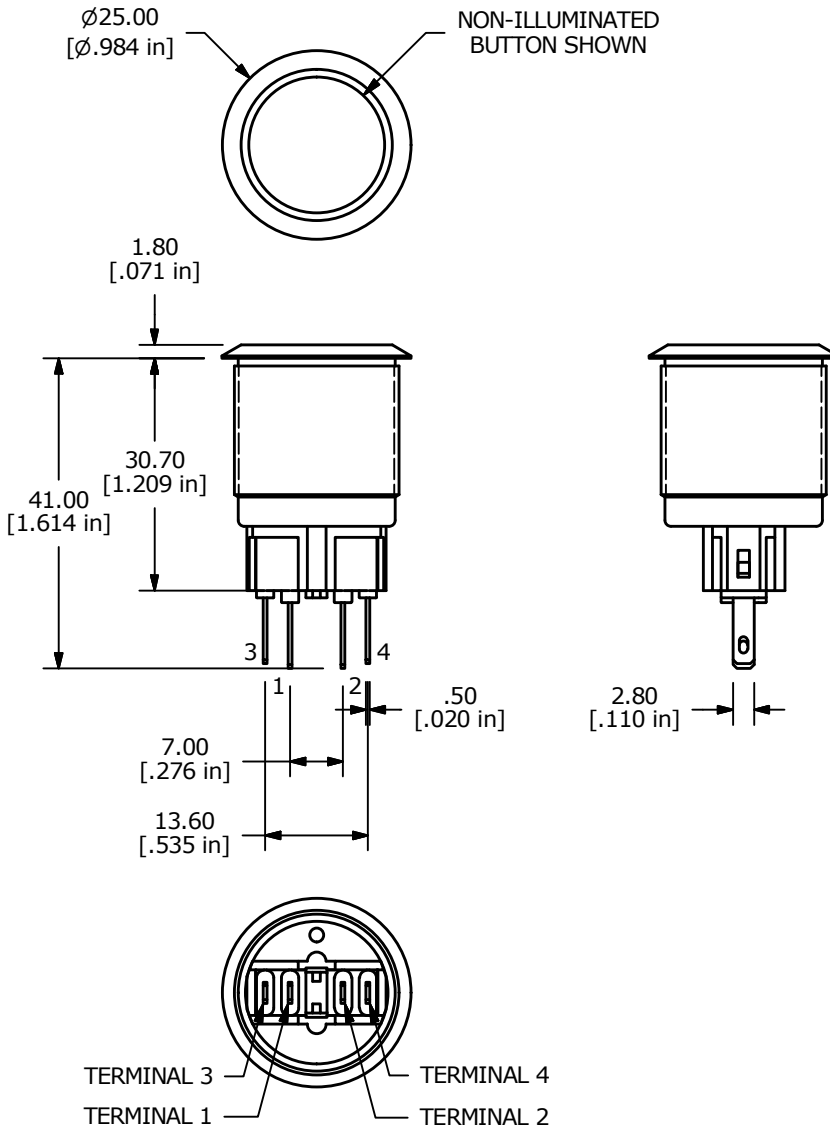
www.e-switch.com

800.867.2717

1

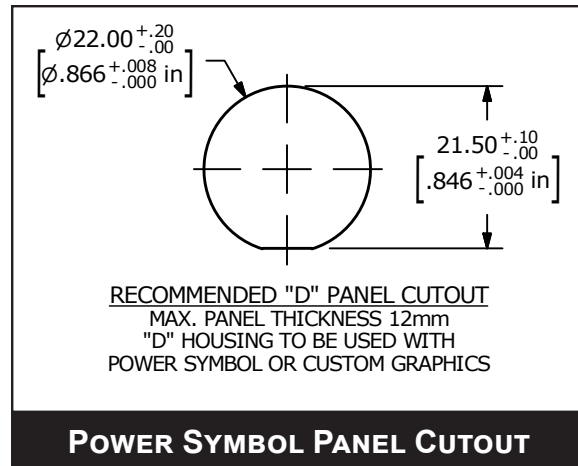
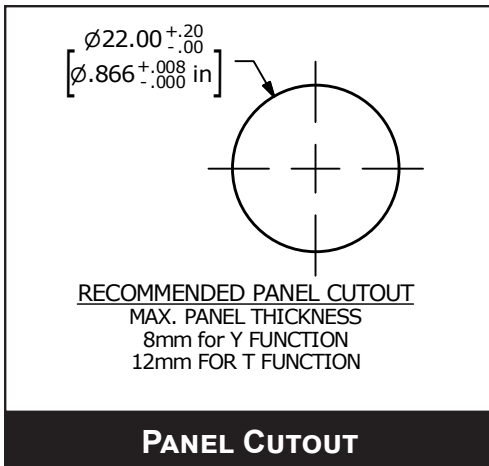
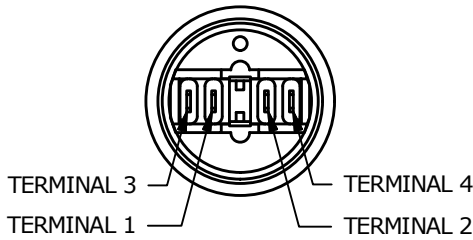
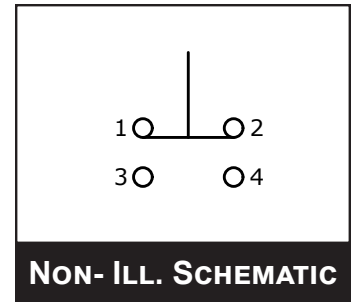
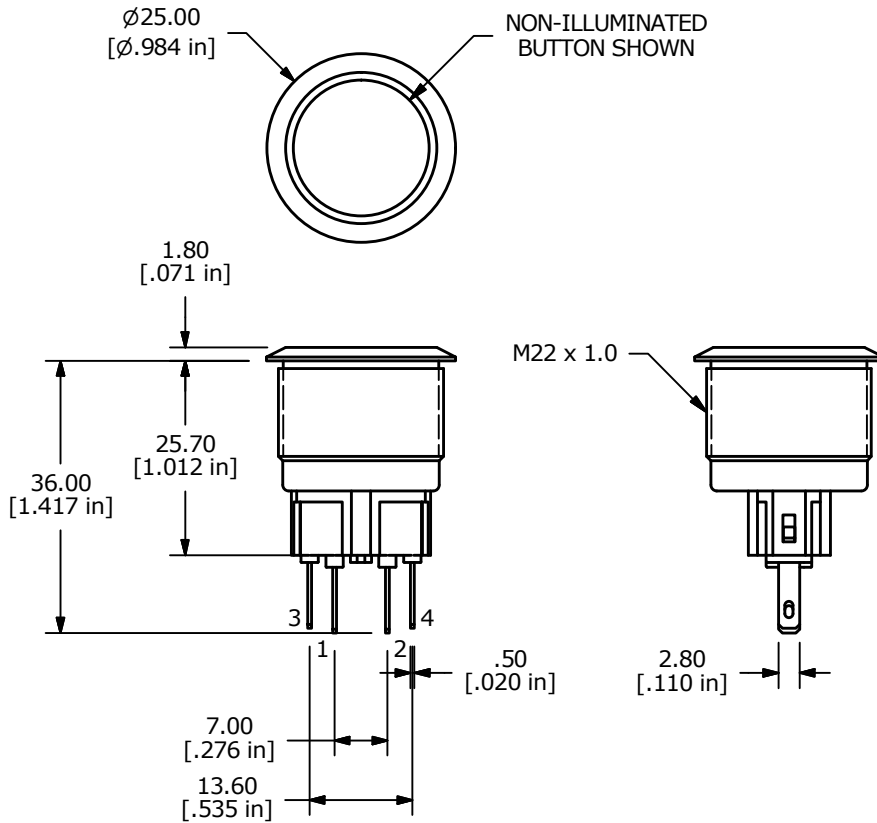
PV7 SERIES ANTI-VANDAL SWITCH

NON ILLUMINATED T FUNCTION



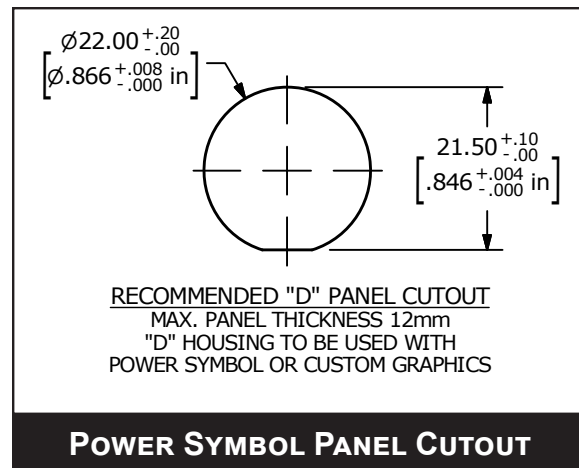
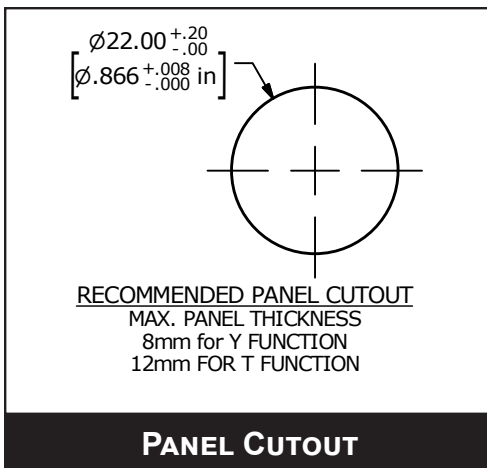
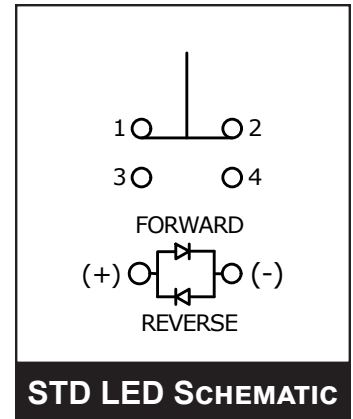
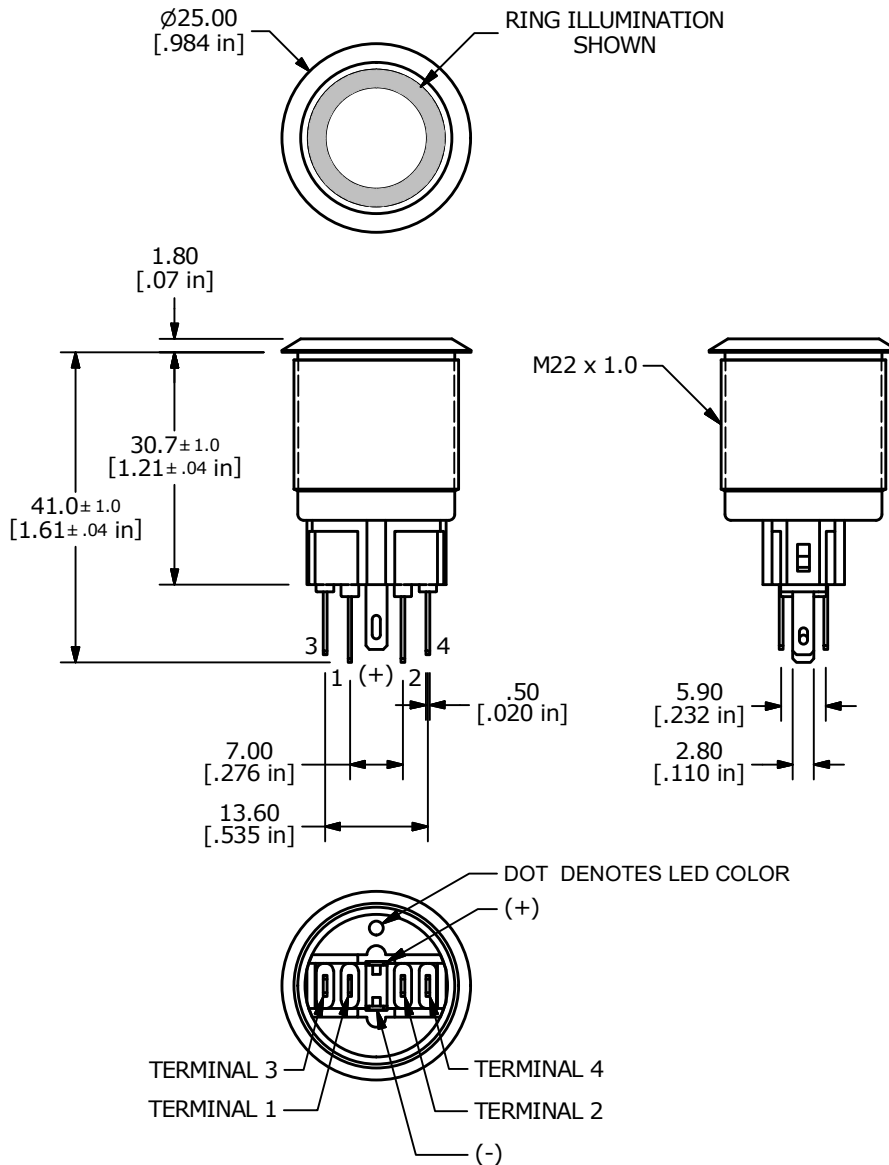
PV7 SERIES ANTI-VANDAL SWITCH

NON ILLUMINATED Y FUNCTION



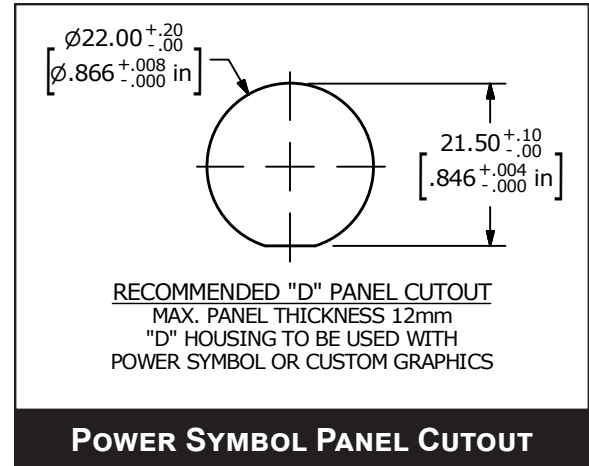
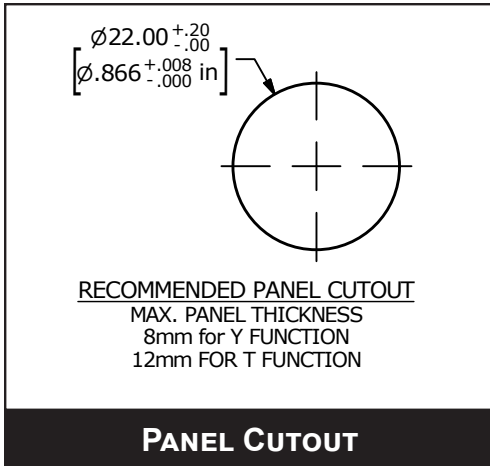
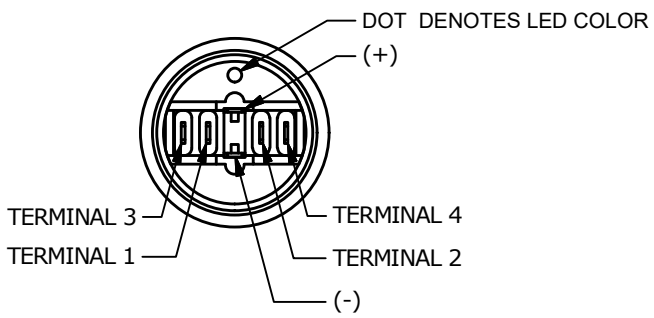
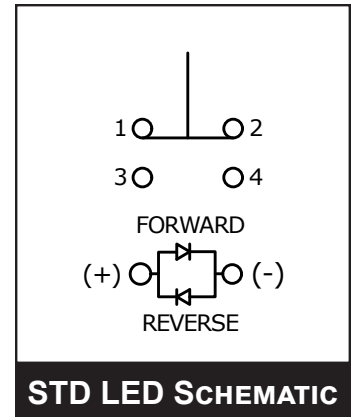
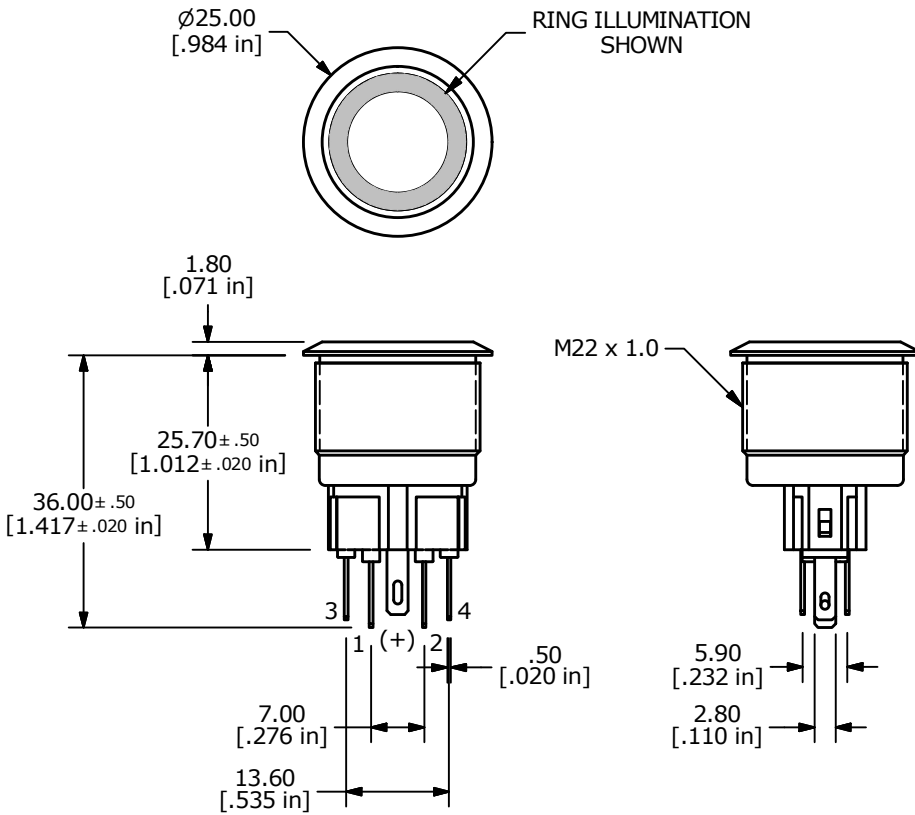
PV7 SERIES ANTI-VANDAL SWITCH

STANDARD LED T FUNCTION



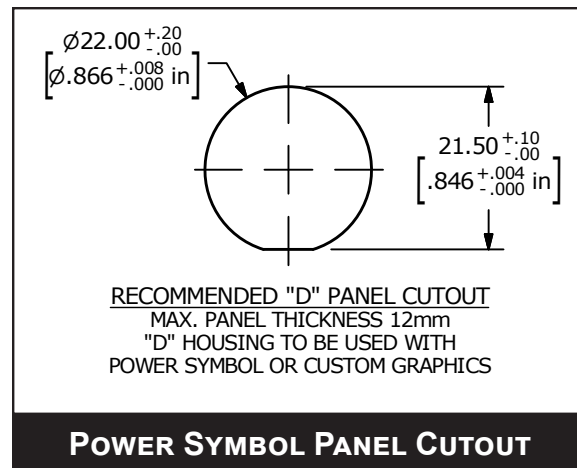
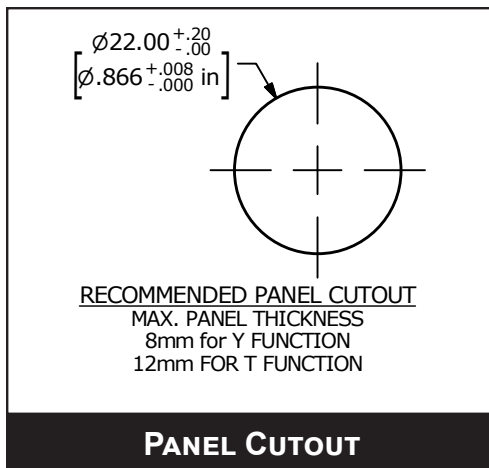
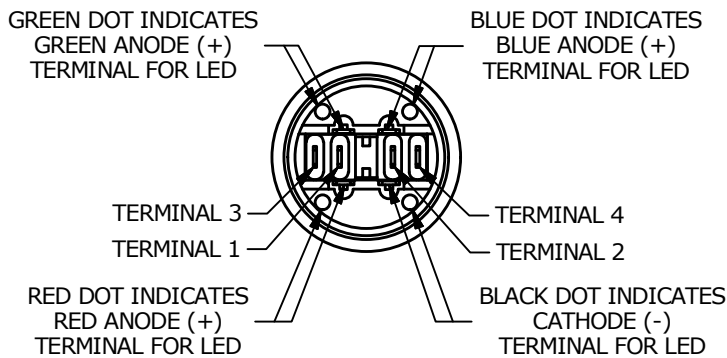
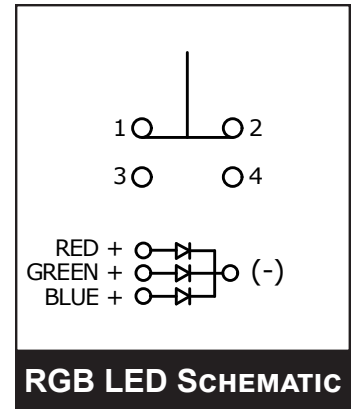
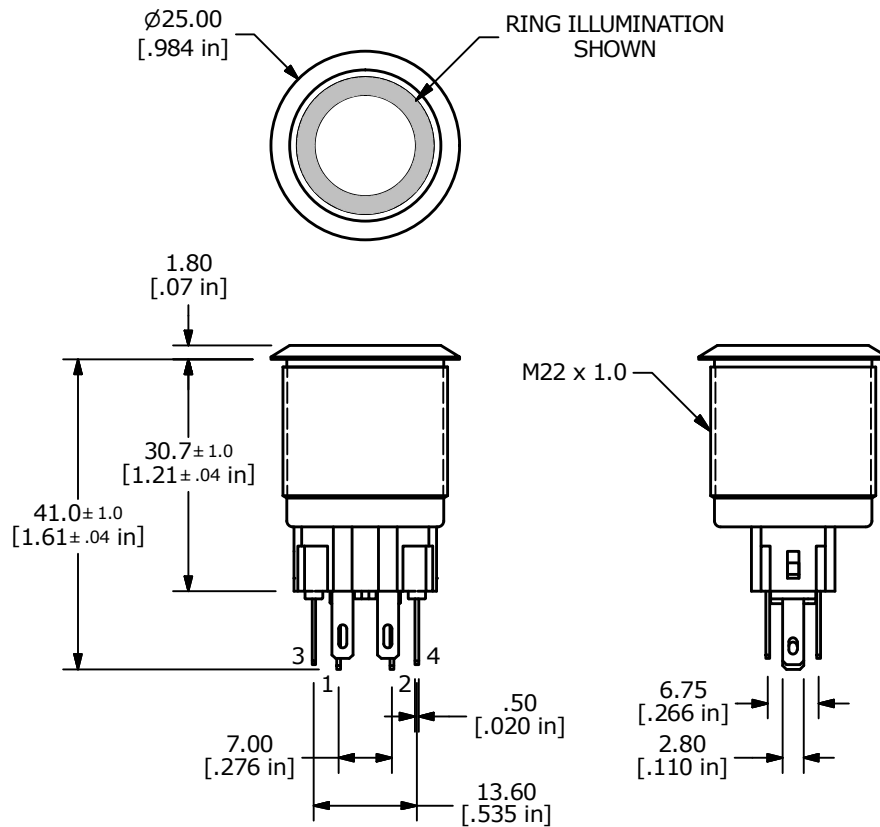
PV7 SERIES ANTI-VANDAL SWITCH

STANDARD LED Y FUNCTION



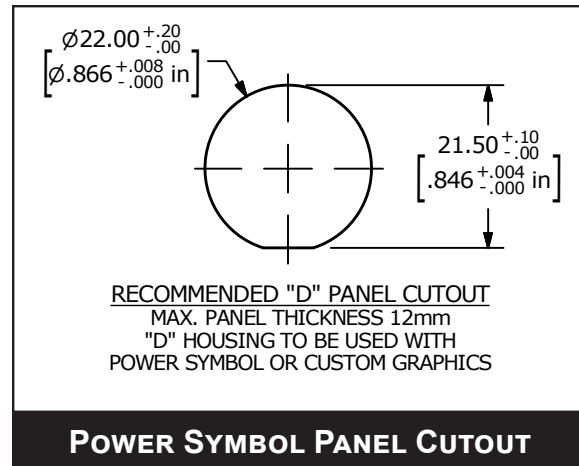
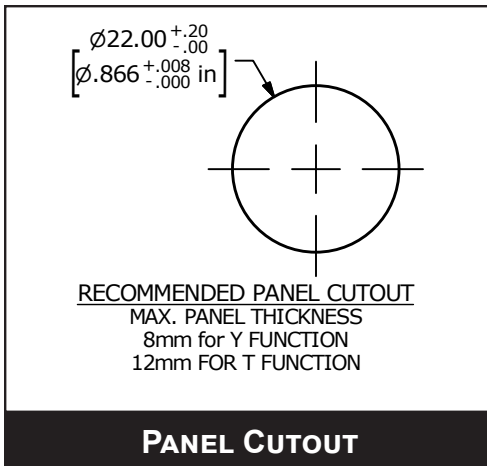
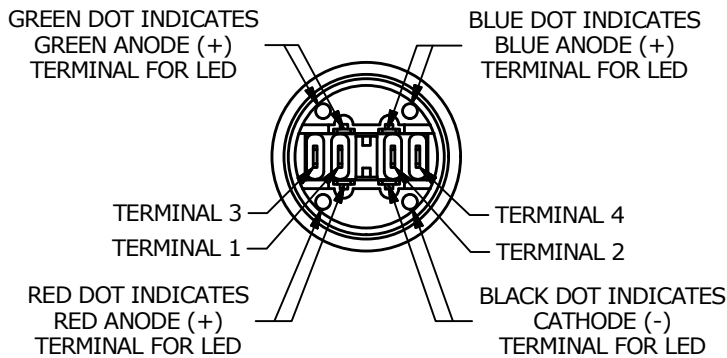
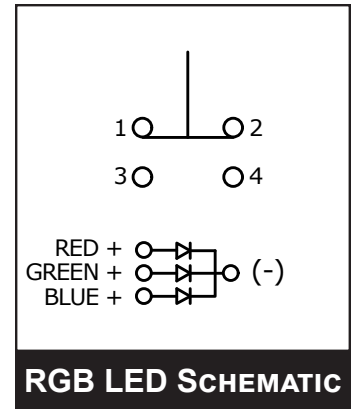
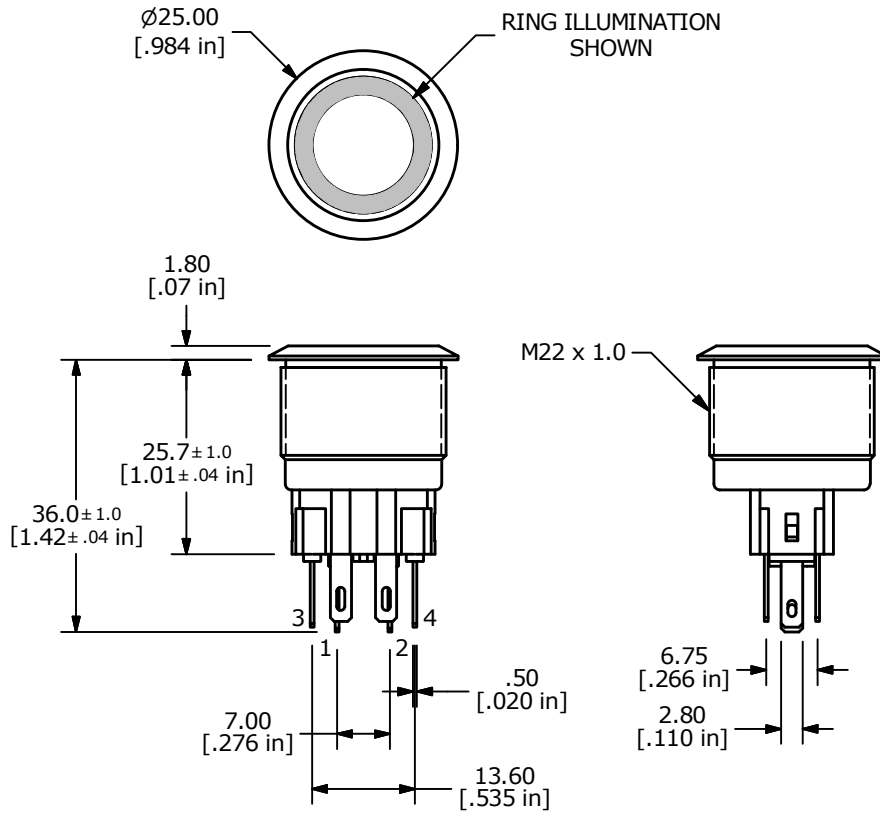
PV7 SERIES ANTI-VANDAL SWITCH

RGB LED T FUNCTION



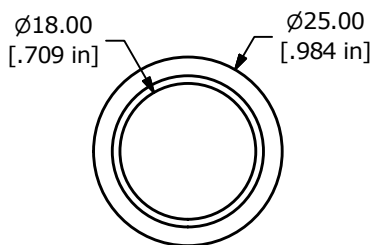
PV7 SERIES ANTI-VANDAL SWITCH

RGB LED Y FUNCTION

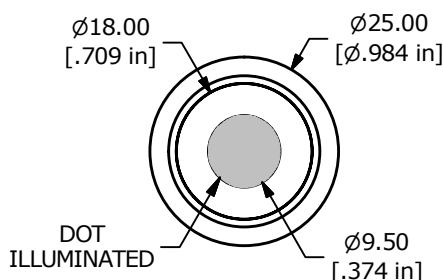


PV7 SERIES ANTI-VANDAL SWITCH

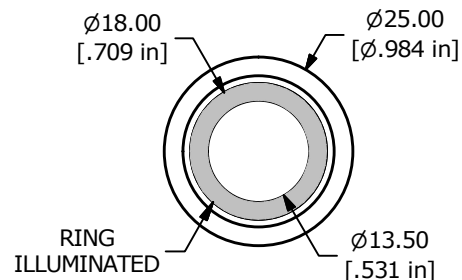
ACTUATOR OPTIONS



FLAT NON-ILLUMINATED

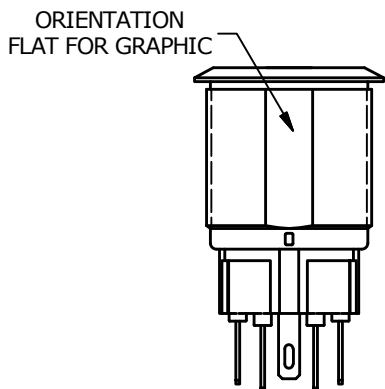
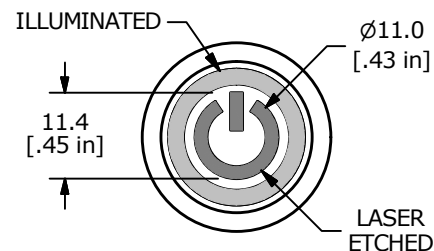
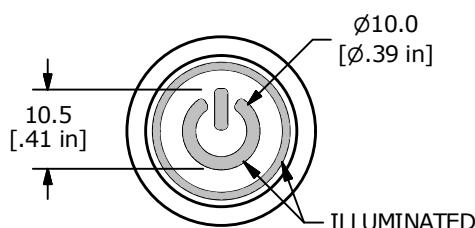
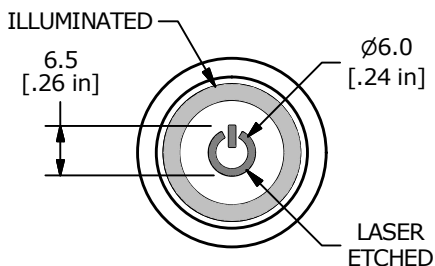


FLAT DOT ILLUMINATED

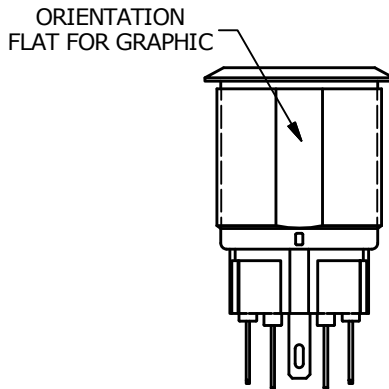


FLAT RING ILLUMINATED

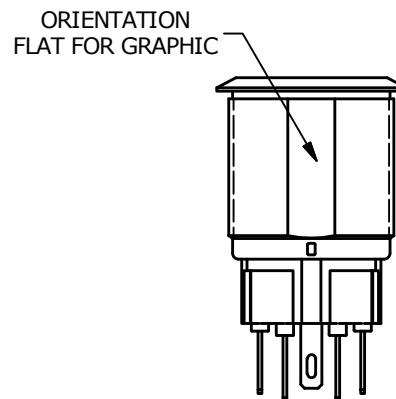
GRAPHIC OPTIONS



M01



M06



M16

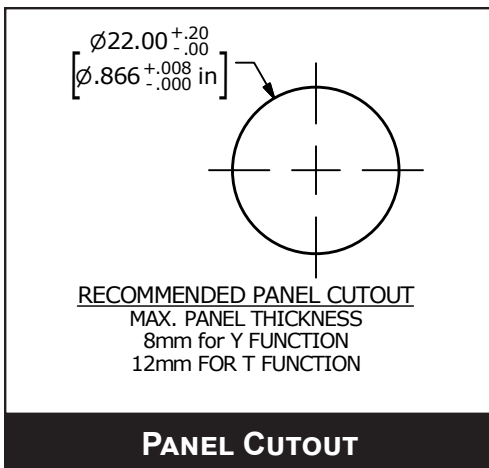
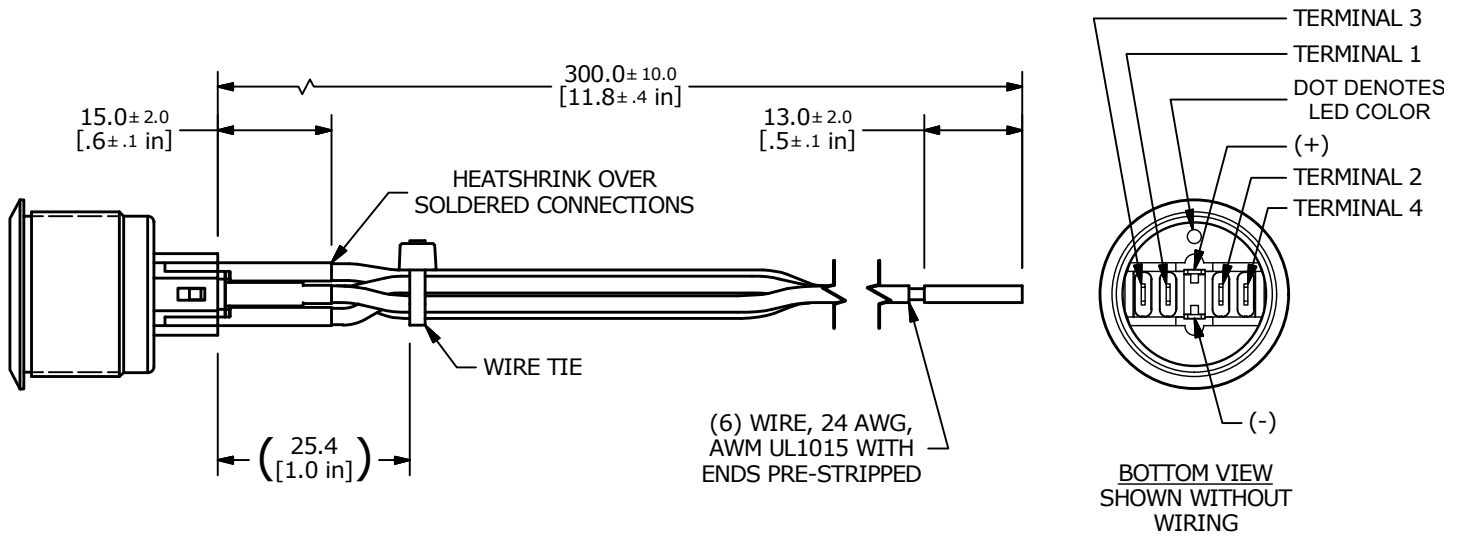


PV7 SERIES ANTI-VANDAL SWITCH

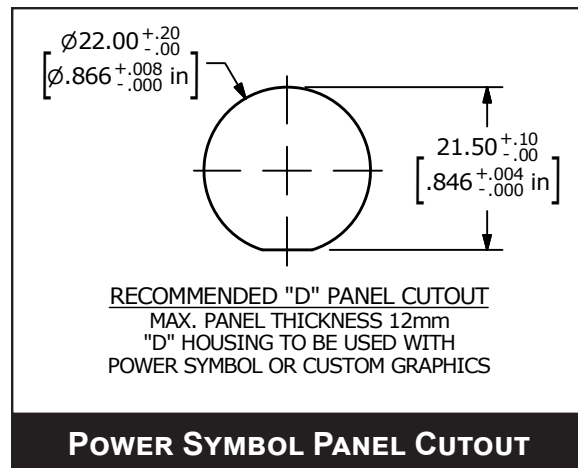
STANDARD LED WIRE LEAD

SWITCH	WIRE	LENGTH
SW1-1	WIRE, 24AWG AWM UL1015, WHITE	300.0 [11.8 in]
SW1-2	WIRE, 24AWG AWM UL1015, WHITE	300.0 [11.8 in]
SW1-3	WIRE, 24AWG AWM UL1015, BLUE	300.0 [11.8 in]
SW1-4	WIRE, 24AWG AWM UL1015, BLUE	300.0 [11.8 in]
SW1- (+)	WIRE, 24AWG AWM UL1015, RED	300.0 [11.8 in]
SW1- (-)	WIRE, 24AWG AWM UL1015, BLACK	300.0 [11.8 in]

** WIRE LEADS PROVIDED ARE DEPENDANT ON THE FUNCTION AND/OR ILLUMINATION SELECTED **



PANEL CUTOUT



POWER SYMBOL PANEL CUTOUT

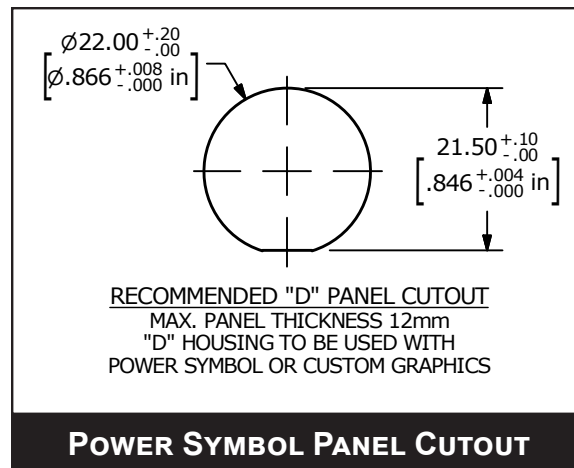
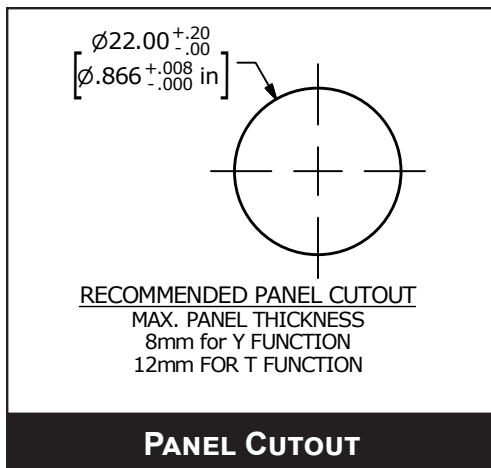
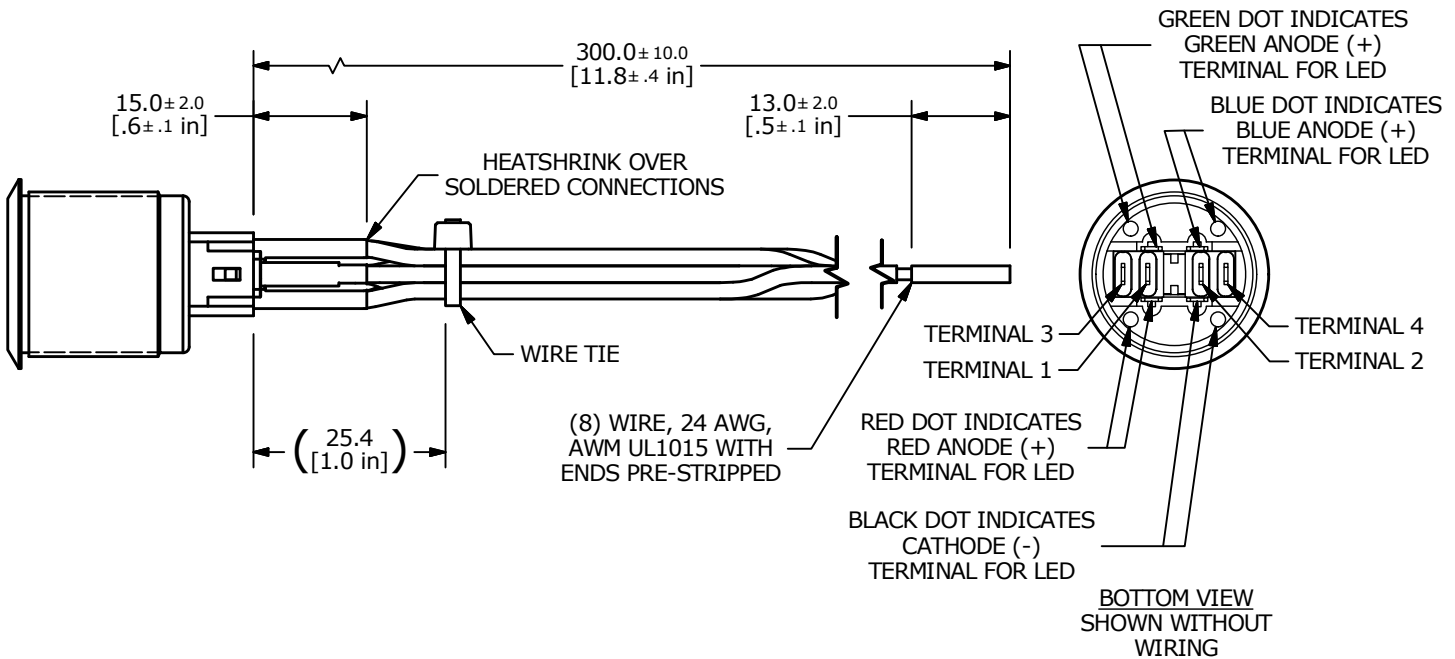


PV7 SERIES ANTI-VANDAL SWITCH

RGB LED WIRE LEAD

SWITCH	WIRE	LENGTH
SW1-1	WIRE, 24AWG AWM UL1015, WHITE	300.0 [11.8 in]
SW1-2	WIRE, 24AWG AWM UL1015, WHITE	300.0 [11.8 in]
SW1-3	WIRE, 24AWG AWM UL1015, YELLOW	300.0 [11.8 in]
SW1-4	WIRE, 24AWG AWM UL1015, YELLOW	300.0 [11.8 in]
SW1-RED (+)	WIRE, 24AWG AWM UL1015, RED	300.0 [11.8 in]
SW1-GREEN (+)	WIRE, 24AWG AWM UL1015, GREEN	300.0 [11.8 in]
SW1-BLUE (+)	WIRE, 24AWG AWM UL1015, BLUE	300.0 [11.8 in]
SW1- (-)	WIRE, 24AWG AWM UL1015, BLACK	300.0 [11.8 in]

** WIRE LEADS PROVIDED ARE DEPENDANT ON THE FUNCTION AND/OR ILLUMINATION SELECTED **



X-ON Electronics

Largest Supplier of Electrical and Electronic Components

Click to view similar products for [Pushbutton Switches](#) category:

Click to view products by [E-Switch](#) manufacturer:

Other Similar products are found below :

[8940K2012](#) [LW1L-M1C10V-A](#) [LW1L-M1C70-A](#) [LW2L-A1C20M-GD](#) [LW2L-M1C20M-A](#) [60324L](#) [M22-D-R-GB0/K11](#) [M7E-HRN2](#)
[67021K512](#) [67081K512X](#) [701PB580](#) [7190K101](#) [7199K101](#) [810K12910](#) [810KSV30B](#) [MML21EA2ADK](#) [MML21KA3ABK](#)
[MML23KA3AC05K-001](#) [MML23KW3AA01W](#) [8418K2](#) [8442K3](#) [8450K1](#) [860K11911T01A](#) [861901](#) [861K11911T01A07](#)
[861K13810T00A14](#) [861K13911](#) [8646AB6X718UL](#) [8646ABUL](#) [9001KXRK](#) [907AYY100](#) [PMHD155A1](#) [95-313.000](#)
[9533CD4+U574+U4922](#) [95-414.000](#) [99-450.837](#) [99-453.837](#) [PV3H2B0NN-341](#) [1203MRA](#) [A22NZBGANGA](#) [A22NZBMMNGA](#)
[A22NZBNANGA](#) [A22NZMPATRA](#) [A2PMA1X03EC56](#) [A3A-5123-02](#) [A3A-7140](#) [A3A-7310](#) [A3A-7340](#) [A3U-TMW-A2C-5M](#) [A595](#)