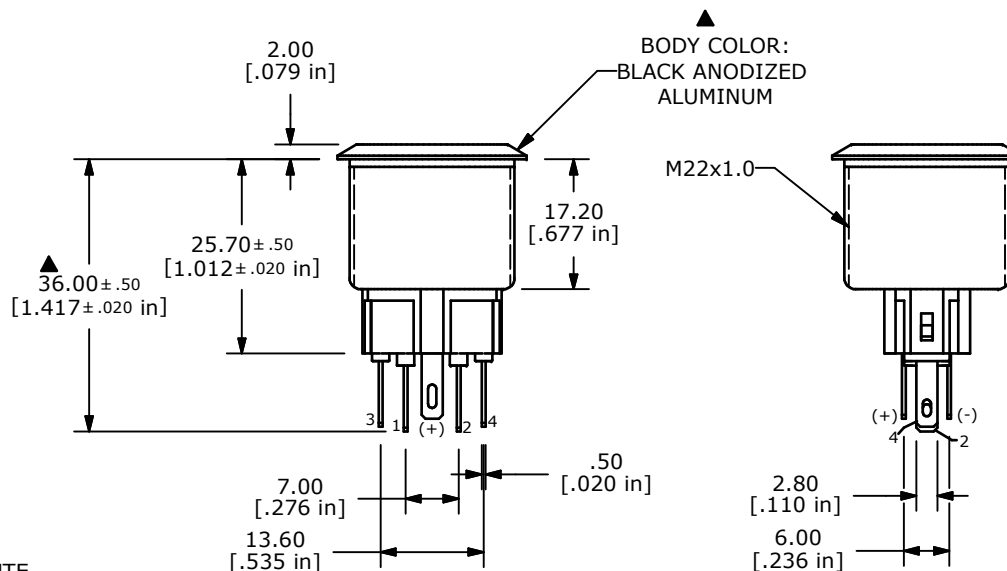
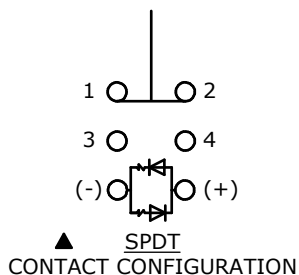
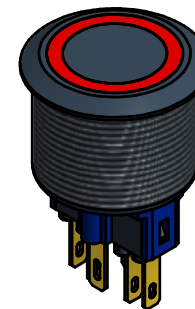
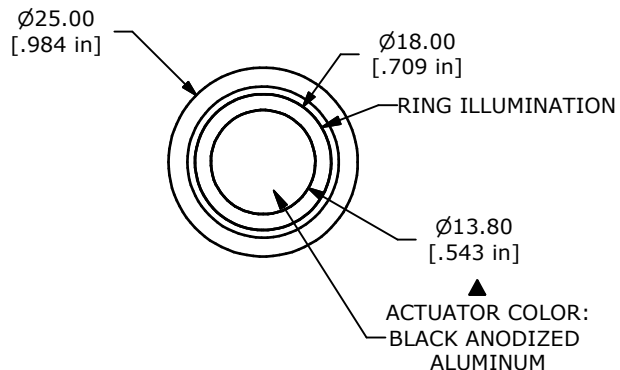


PANEL CUTOUT  
MAX. PANEL THICKNESS 8mm

SWITCH FUNCTION ▲	
POS. 1	POS. 2 (MOM)
1-2	3-4

(ON) = MOMENTARY



- NOTE:
1. ALL DIMENSIONS IN MM [INCH]
  2. GENERAL TOLERANCE: X.X = ± 0.4  
X.XX = ± 0.25
  3. TERMINAL NOS. FOR REF. ONLY
  4. FUNCTION: SPDT
  5. RATING: 2A @ 48VDC
  6. ILLUMINATION VOLTAGE: 12V
  7. CONTACT RESISTANCE: 50mΩ MAX. @ 1A 12VDC
  8. INSULATION RESISTANCE: 1,000MΩ @ 500VDC
  9. DIELECTRIC STRENGTH: 2,000VAC MIN. FOR 1 MINUTE
  10. ELECTRICAL LIFE: 50,000 CYCLES
  11. OPERATING TEMPERATURE: -20°C TO 55°C
  12. INGRESS PROTECTION: IP65
  13. ▲DENOTES CRITICAL PARAMETER
  13. 2002/95/EC (ROHS) COMPLIANT
  14. ILLUMINATION COLOR: RED (FORWARD), RED (REVERSE)
  15. HARDWARE INCLUDED (NOT SHOWN) HEX NUT AND O-RING



TITLE PV7F2Y011-314

A	21484	RELEASE FOR PRODUCTION	6/19/14	EBP
REV	PCR NO	DESCRIPTION	DATE	BY

THE INFORMATION CONTAINED IN THIS DOCUMENT IS PROPRIETARY  
TO E-SWITCH AND IS NOT TO BE COPIED OR TRANSFERRED

SCALE	DATE 6/19/2014	DR EBP	DWG 52-PV7F2Y011314	REV A
-------	-------------------	-----------	------------------------	----------

## X-ON Electronics

Largest Supplier of Electrical and Electronic Components

*Click to view similar products for [Pushbutton Switches](#) category:*

*Click to view products by [E-Switch](#) manufacturer:*

Other Similar products are found below :

[8940K2012](#) [LW1L-M1C10V-A](#) [LW1L-M1C70-A](#) [LW2L-A1C20M-GD](#) [LW2L-M1C20M-A](#) [60324L](#) [M22-D-R-GB0/K11](#) [M7E-HRN2](#)  
[67021K512](#) [67081K512X](#) [701PB580](#) [7190K101](#) [7199K101](#) [810K12910](#) [810KSV30B](#) [MML21EA2ADK](#) [MML21KA3ABK](#)  
[MML23KA3AC05K-001](#) [MML23KW3AA01W](#) [8418K2](#) [8442K3](#) [8450K1](#) [860K11911T01A](#) [861901](#) [861K11911T01A07](#)  
[861K13810T00A14](#) [861K13911](#) [8646AB6X718UL](#) [8646ABUL](#) [9001KXRK](#) [907AYY100](#) [PMHD155A1](#) [95-313.000](#)  
[9533CD4+U574+U4922](#) [95-414.000](#) [99-450.837](#) [99-453.837](#) [PV3H2B0NN-341](#) [1203MRA](#) [A22NZBGANGA](#) [A22NZBMMNGA](#)  
[A22NZBNANGA](#) [A22NZMPATRA](#) [A2PMA1X03EC56](#) [A3A-5123-02](#) [A3A-7140](#) [A3A-7310](#) [A3A-7340](#) [A3U-TMW-A2C-5M](#) [A595](#)