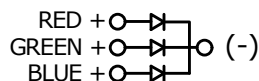
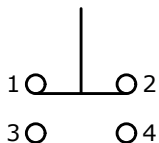


RECOMMENDED PANEL CUTOUT  
MAX. PANEL THICKNESS 12mm

▲ SWITCH FUNCTION

| POS. 1            | POS. 2                |
|-------------------|-----------------------|
|                   |                       |
| 1-2 ON<br>3-4 OFF | 1-2 (OFF)<br>3-4 (ON) |

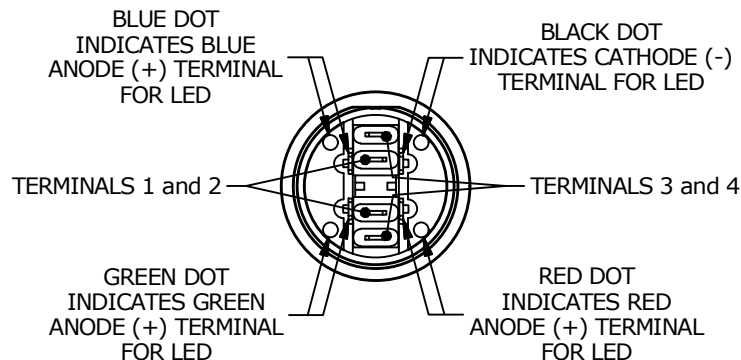
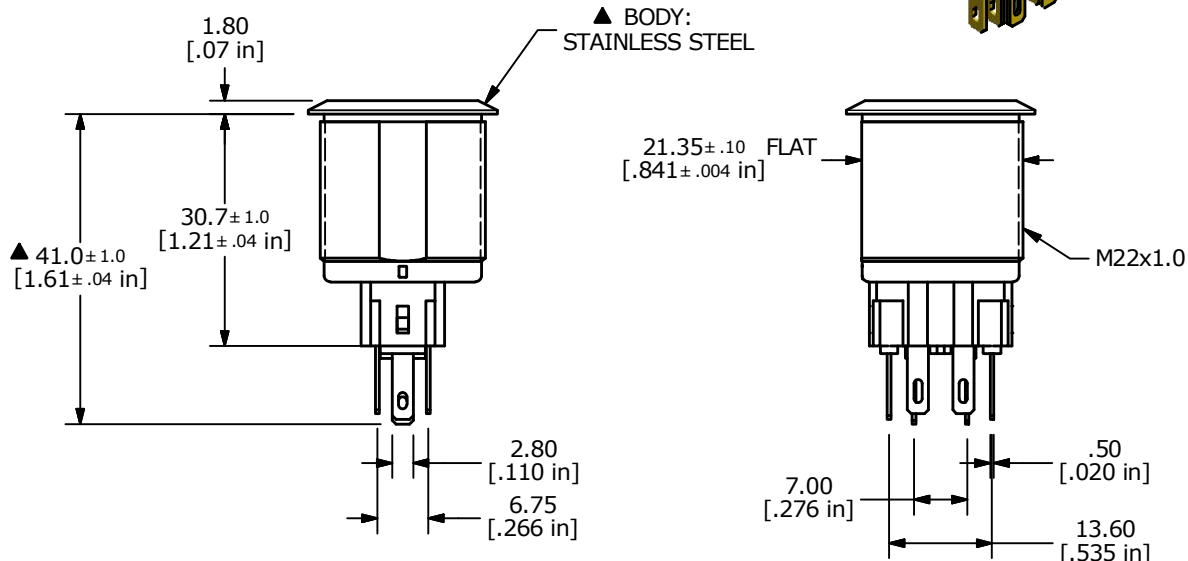
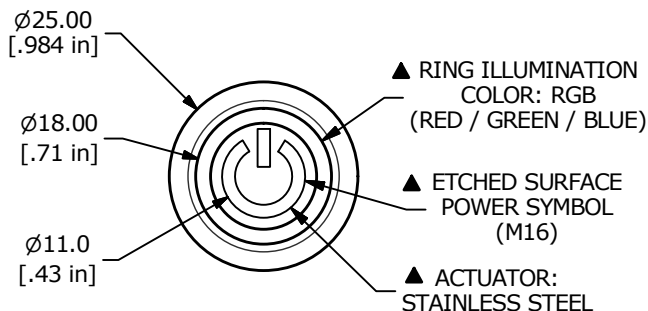
( ) = MOMENTARY



▲ SPDT ON-(OFF) / OFF-(ON)  
CONTACT CONFIGURATION  
( ) DENOTES MOMENTARY FUNCTION

NOTE:

- ALL DIMENSIONS IN MM [INCH]
- GENERAL TOLERANCE: X.X = ± 0.4  
X.XX = ± 0.25
- TERMINAL NOS. FOR REF. ONLY
- RATING: 2A @ 48VDC
- CONTACT RESISTANCE: 50mΩ MAX. @ 1A 12VDC
- INSULATION RESISTANCE: 1,000MΩ @ 500VDC
- DIELECTRIC STRENGTH: 2,000VAC MIN. FOR 1 MINUTE
- ELECTRICAL LIFE: 50,000 CYCLES
- OPERATING TEMPERATURE: -20°C TO 55°C
- INGRESS PROTECTION: IP65
- ▲ DENOTES CRITICAL PARAMETER
- HARDWARE INCLUDED: HEX NUT AND O-RING (NOT SHOWN)
- ▲ ILLUMINATION VOLTAGE:  
RED: 1.8V  
GREEN: 2.8V  
Blue: 2.8V



|     |        |                        |        |    |
|-----|--------|------------------------|--------|----|
| A   | 23552  | RELEASE FOR PRODUCTION | 9/5/18 | MW |
| REV | PCR NO | DESCRIPTION            | DATE   | BY |

|       |                   |      |                    |     |
|-------|-------------------|------|--------------------|-----|
| TITLE | PV7F2Y0SS-3R1-M16 |      |                    |     |
| SCALE | 1:1               | DATE | 9/5/2018           | DR  |
|       |                   |      | MW                 | DWG |
|       |                   |      | 52-PV7F2Y0SS3R1M16 | REV |
|       |                   |      |                    | A   |

THE INFORMATION CONTAINED IN THIS DOCUMENT IS PROPRIETARY  
TO E-SWITCH AND IS NOT TO BE COPIED OR TRANSFERRED

## X-ON Electronics

Largest Supplier of Electrical and Electronic Components

*Click to view similar products for [Pushbutton Switches](#) category:*

*Click to view products by [E-Switch](#) manufacturer:*

Other Similar products are found below :

[8940K2012](#) [LW1L-M1C10V-A](#) [LW1L-M1C70-A](#) [LW2L-A1C20M-GD](#) [LW2L-M1C20M-A](#) [60324L](#) [M22-D-R-GB0/K11](#) [M7E-HRN2](#)  
[67021K512](#) [67081K512X](#) [701PB580](#) [7190K101](#) [7199K101](#) [810K12910](#) [810KSV30B](#) [MML21EA2ADK](#) [MML21KA3ABK](#)  
[MML23KA3AC05K-001](#) [MML23KW3AA01W](#) [8418K2](#) [8442K3](#) [8450K1](#) [860K11911T01A](#) [861901](#) [861K11911T01A07](#)  
[861K13810T00A14](#) [861K13911](#) [8646AB6X718UL](#) [8646ABUL](#) [9001KXRK](#) [907AYY100](#) [PMHD155A1](#) [95-313.000](#)  
[9533CD4+U574+U4922](#) [95-414.000](#) [99-450.837](#) [99-453.837](#) [PV3H2B0NN-341](#) [1203MRA](#) [A22NZBGANGA](#) [A22NZBMMNGA](#)  
[A22NZBNANGA](#) [A22NZMPATRA](#) [A2PMA1X03EC56](#) [A3A-5123-02](#) [A3A-7140](#) [A3A-7310](#) [A3A-7340](#) [A3U-TMW-A2C-5M](#) [A595](#)