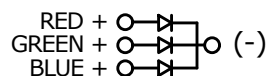
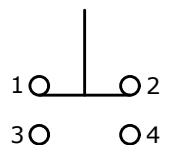


RECOMMENDED PANEL CUTOUT
MAX. PANEL THICKNESS 8mm

| SWITCH FUNCTION | |
|-------------------|-----------------------|
| POS. 1 | POS. 2 |
| | |
| 1-2 ON 3-4 OFF | 1-2 (OFF) 3-4 (ON) |

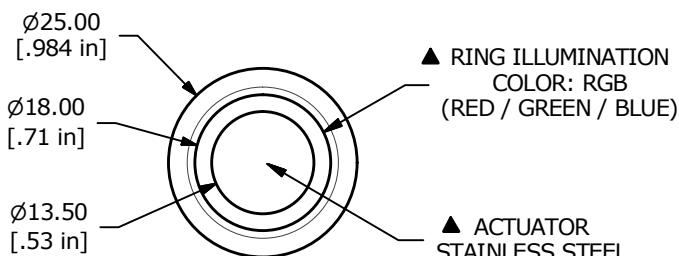
() MOMENTARY FUNCTION



▲ SPDT ON-(OFF) / OFF-(ON)
CONTACT CONFIGURATION
() DENOTES MOMENTARY FUNCTION

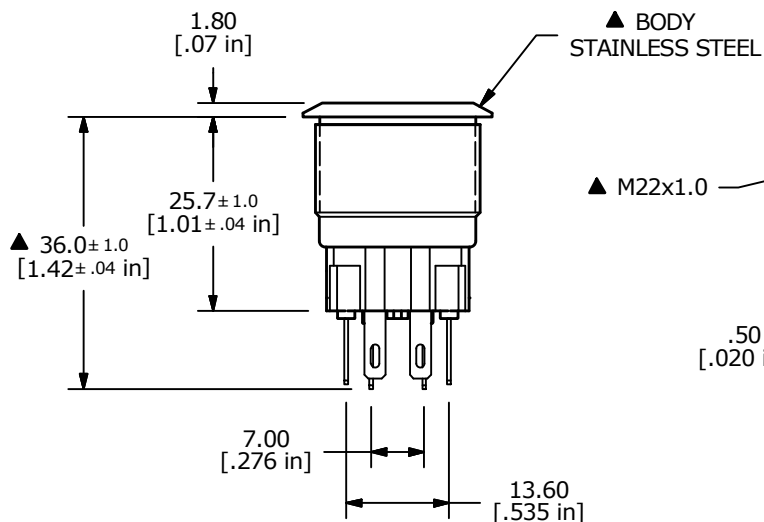
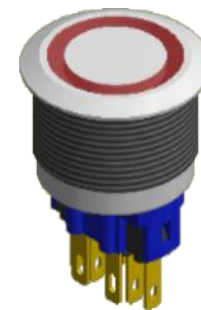
NOTE:

- ALL DIMENSIONS IN MM [INCH]
- GENERAL TOLERANCE: X.X = ± 0.4
X.XX = ± 0.25
- TERMINAL NUMBERS FOR REF. ONLY
- RATING: 2A @ 48VDC
- CONTACT RESISTANCE: 50mΩ MAX. @ 1A 12VDC
- INSULATION RESISTANCE: 1,000MΩ @ 500VDC
- DIELECTRIC STRENGTH: 2,000VAC MIN. FOR 1 MINUTE
- ELECTRICAL LIFE: 50,000 CYCLES
- OPERATING TEMPERATURE: -20°C to 55°C
- ACTUATION FORCE: 4N
- TRAVEL: 2.2mm
- INGRESS PROTECTION: IP65
- ▲ DENOTES CRITICAL PARAMETER
- ▲ 14. HARDWARE INCLUDED (NOT SHOWN) HEX NUT AND O-RING
- ▲ 15. ILLUMINATION VOLTAGE: 24V



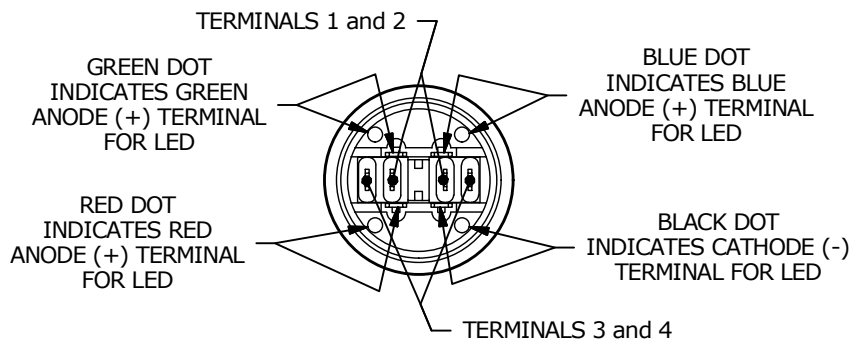
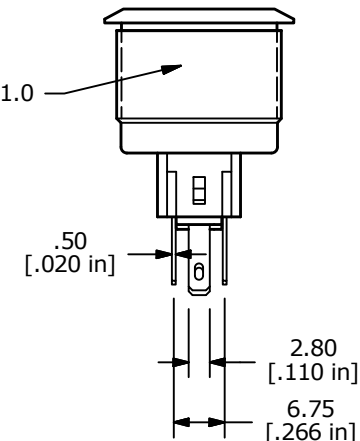
▲ RING ILLUMINATION
COLOR: RGB
(RED / GREEN / BLUE)

▲ ACTUATOR
STAINLESS STEEL



▲ BODY
STAINLESS STEEL

▲ M22x1.0



| | | | | |
|-----|--------|-------------|--------|----|
| A | 23792 | New Release | 3/5/19 | MW |
| REV | PCR NO | DESCRIPTION | DATE | BY |

| | | | | |
|-------|---------------|--|--|--|
| TITLE | PV7F2Y0SS-3R5 | | | |
|-------|---------------|--|--|--|

| | | | | |
|-------|----------|----|-----------------|-----|
| SCALE | DATE | DR | DWG | REV |
| 1:1 | 3/4/2019 | MW | 52-PV7F2Y0SS3R5 | A |

THE INFORMATION CONTAINED IN THIS DOCUMENT IS PROPRIETARY TO E-SWITCH AND IS NOT TO BE COPIED OR TRANSFERRED

X-ON Electronics

Largest Supplier of Electrical and Electronic Components

Click to view similar products for [Pushbutton Switches](#) category:

Click to view products by [E-Switch](#) manufacturer:

Other Similar products are found below :

[8940K2012](#) [LW1L-M1C10V-A](#) [LW1L-M1C70-A](#) [LW2L-A1C20M-GD](#) [LW2L-M1C20M-A](#) [60324L](#) [M22-D-R-GB0/K11](#) [M7E-HRN2](#)
[67021K512](#) [67081K512X](#) [701PB580](#) [7190K101](#) [7199K101](#) [810K12910](#) [810KSV30B](#) [MML21EA2ADK](#) [MML21KA3ABK](#)
[MML23KA3AC05K-001](#) [MML23KW3AA01W](#) [8418K2](#) [8442K3](#) [8450K1](#) [860K11911T01A](#) [861901](#) [861K11911T01A07](#)
[861K13810T00A14](#) [861K13911](#) [8646AB6X718UL](#) [8646ABUL](#) [9001KXRK](#) [907AYY100](#) [PMHD155A1](#) [95-313.000](#)
[9533CD4+U574+U4922](#) [95-414.000](#) [99-450.837](#) [99-453.837](#) [PV3H2B0NN-341](#) [1203MRA](#) [A22NZBGANGA](#) [A22NZBMMNGA](#)
[A22NZBNANGA](#) [A22NZMPATRA](#) [A2PMA1X03EC56](#) [A3A-5123-02](#) [A3A-7140](#) [A3A-7310](#) [A3A-7340](#) [A3U-TMW-A2C-5M](#) [A595](#)