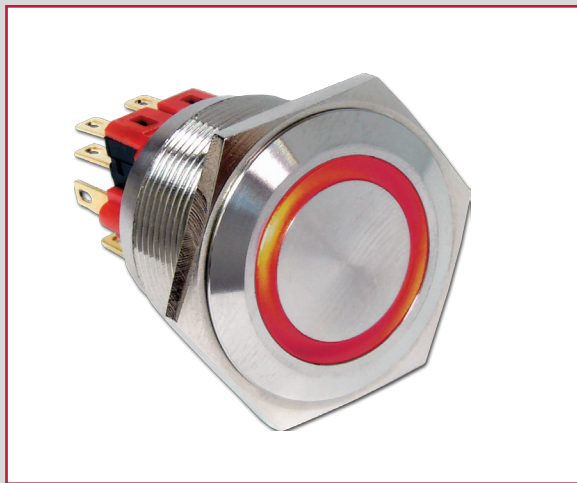


PV8 SERIES ANTI-VANDAL SWITCH

ANTI-VANDAL SWITCHES
DETECTOR SWITCHES
DIP SWITCHES
KEYLOCK SWITCHES
NAVIGATION SWITCHES
PUSHBUTTON SWITCHES
ROCKER SWITCHES
ROTARY SWITCHES
SLIDE SWITCHES
SNAP ACTION SWITCHES
TACTILE SWITCHES
TOGGLE SWITCHES
CAP OPTIONS



APPLICATIONS / MARKETS



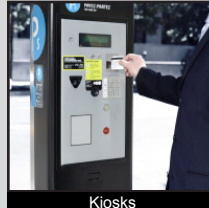
Audio / Visual



Security Devices



Industrial Controls



Kiosks



Electrical Housewares



Medical Equipment

RoHS

SPECIFICATIONS

Electrical Rating: 2A, 48VDC
Electrical Life: 50,000 Cycles
Contact Resistance: 50mΩ Max.
Insulation Resistance: 1000 MΩ Min. @ 500VDC
Dielectric Strength: 2,000VAC
Operating/Storage Temperature: -20°C to 55°C
Travel: 2.80mm
Moisture Protection: IP65
Contact Arrangement: SPDT& DPDT
Actuation Force: 6.5 N
Panel Thickness: 1-10mm for Momentary
 1-12mm for Maintained
Mounting Nut Torque: 5-14Nm

FEATURES & BENEFITS

- 25mm diameter panel cutout
- LED color options
- Dot, ring or power symbol illumination available
- Multiple function options
- IP65 rated
- SPDT & DPDT arrangements

PART NUMBER CONFIGURATOR

Series	Actuator Options	Terminal Options	Function Options	Rating Options	Body Finish Options	Actuator Finish Options	Lens Style Options	LED-Color Options	Illumination Voltage Options	Graphic (Optional)
<input type="text" value="PV8"/>	<input type="text" value="F - Flat"/>	<input type="text" value="2 - Solder"/>	<input type="text" value="T - 2 Pole
1P Off-On +
1P On-Off
Y - 2 Pole
1P Off-(On) +
1P On-(Off)
U - 4 Pole
2P Off-On +
2P On-Off
V - 4 Pole
2P Off-(On) +
2P On-(Off)"/>	<input type="text" value="0 - 2A,
48VDC"/>	<input type="text" value="1 - Black
Anodized
N - Nickel
Plated
S - Stainless
Steel"/>	<input type="text" value="1 - Black
Anodized
N - Nickel
Plated
S - Stainless
Steel"/>	<input type="text" value="NONE - Non-
Illuminated
2 - Dot
Illumination
3 - Ring
Illumination"/>	<input type="text" value="NONE- Non-
Illuminated
0 - White
1 - Red
2 - Orange
3 - Green
4 - Blue
5 - Yellow"/>	<input type="text" value="NONE - Non-
Illuminated
1 - Base Voltage
3 - 6V
4 - 12V
5 - 24V
6 - 125V
7 - 250V"/>	<input type="text" value="M11 - Power
symbol laser
etched
M14 - Power
symbol / Ring
Illumination"/>

NOTES:
 *() denotes function is momentary

Specifications subject to change without notice 12.22.2017



E-SWITCH®

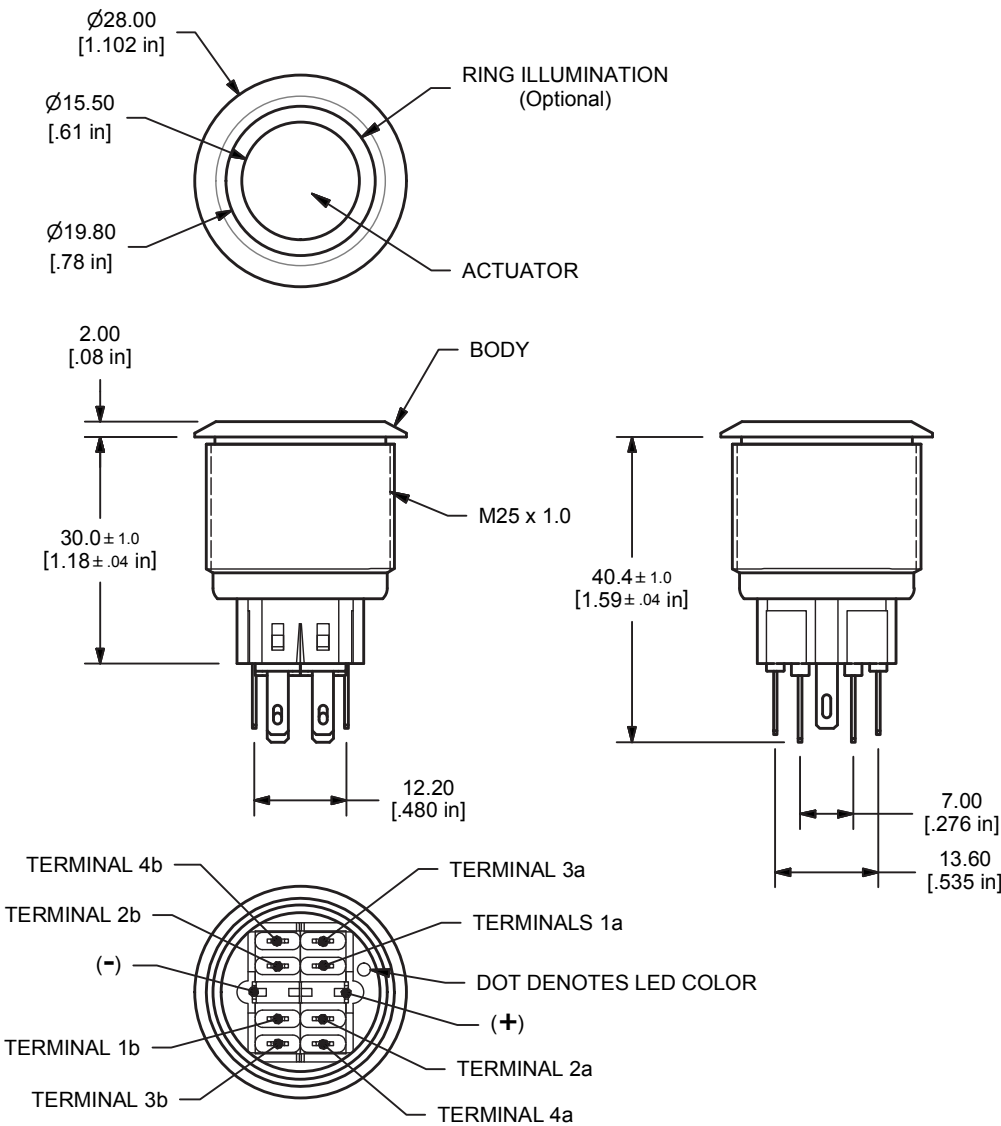
www.e-switch.com

800.867.2717

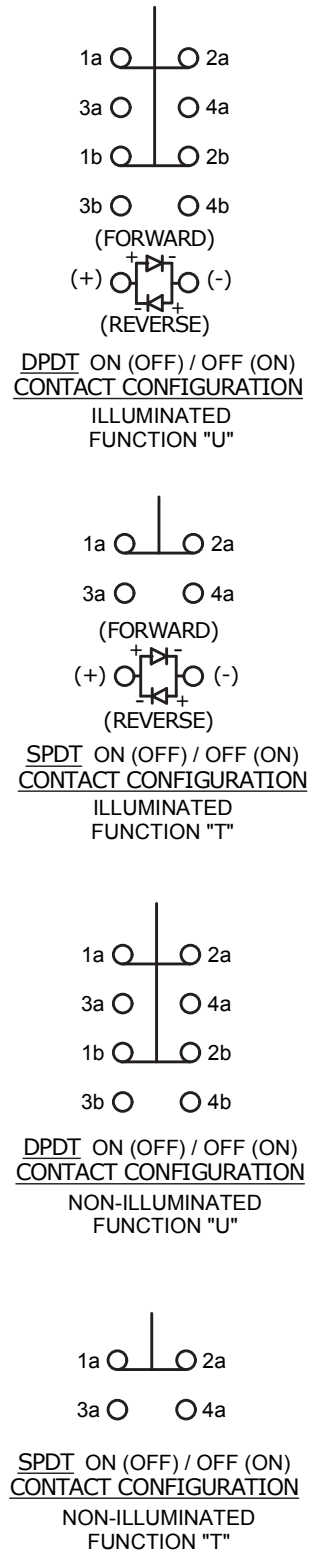
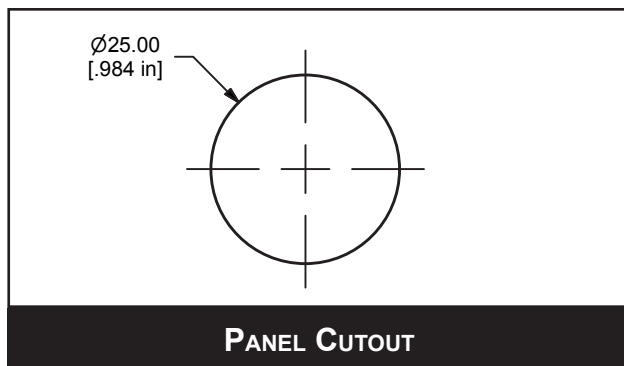
1

PV8 SERIES ANTI-VANDAL SWITCH

MAINTAINED (LATCHING) FUNCTION "T" AND "U"



* DPDT (Function "U") Terminals 1a - 4a and 1b - 4b (AS SHOWN)
 SPDT (Function "T") Terminals 1a - 4a
 Terminals (-) and (+) used with Illuminated option only

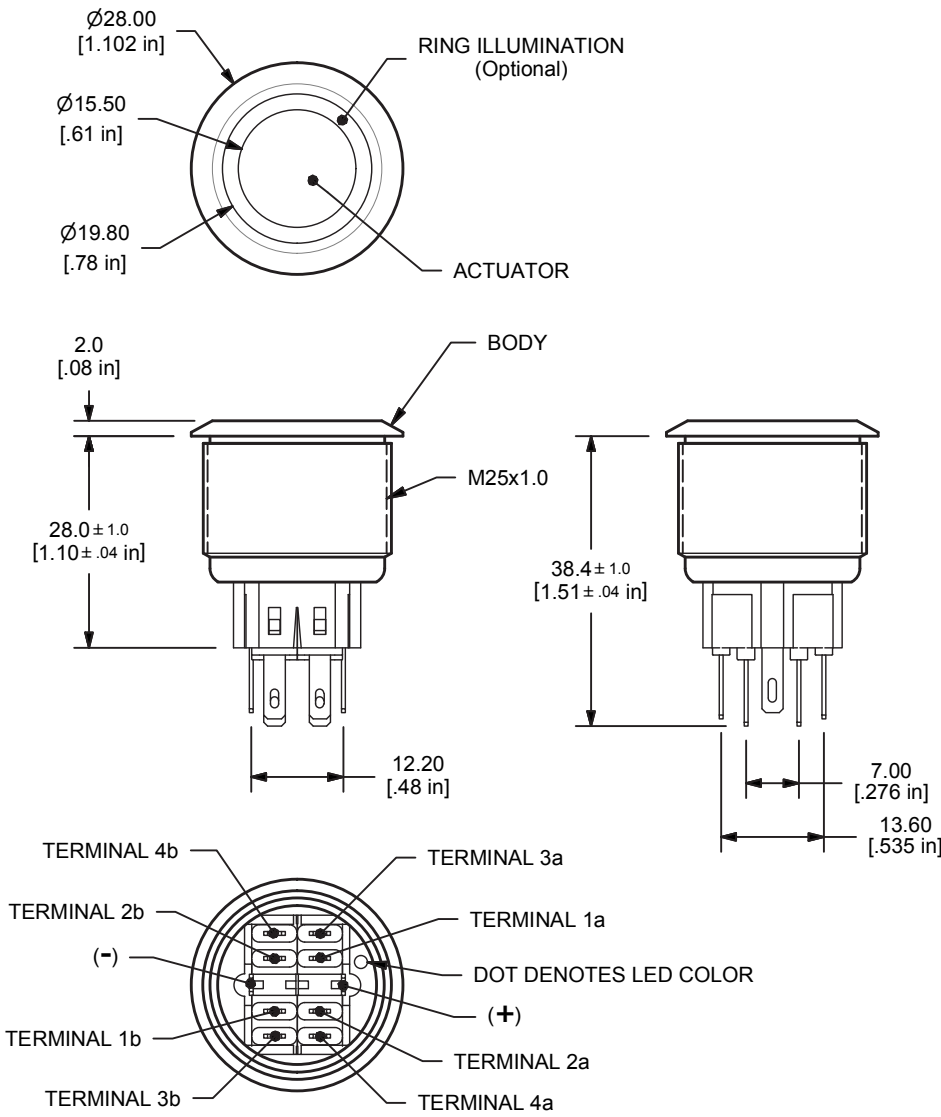


ANTI-VANDAL SWITCHES
 DETECTOR SWITCHES
 DIP SWITCHES
 KEYLOCK SWITCHES
 NAVIGATION SWITCHES
 PUSHBUTTON SWITCHES
 ROCKER SWITCHES
 ROTARY SWITCHES
 SLIDE SWITCHES
 SNAP ACTION SWITCHES
 TACTILE SWITCHES
 TOGGLE SWITCHES
 CAP OPTIONS

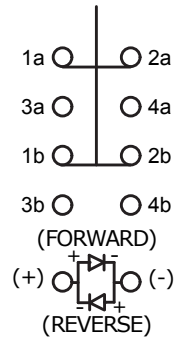
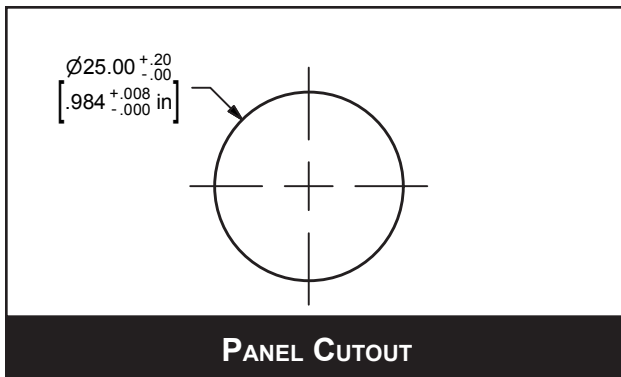


PV8 SERIES ANTI-VANDAL SWITCH

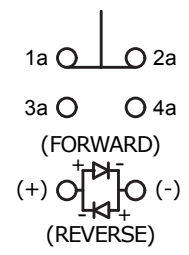
MOMENTARY FUNCTION "Y" AND "V"



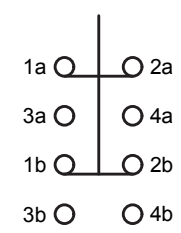
* DPDT (Function "V") Terminals 1a - 4a and 1b - 4b (AS SHOWN)
 SPDT (Function "Y") Terminals 1a - 4a
 Terminals (-) and (+) used with Illuminated option only



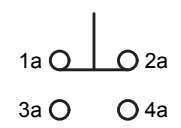
DPDT ON (OFF) / OFF (ON)
 CONTACT CONFIGURATION
 ILLUMINATED
 FUNCTION "V"



SPDT ON (OFF) / OFF (ON)
 CONTACT CONFIGURATION
 ILLUMINATED
 FUNCTION "Y"



DPDT ON (OFF) / OFF (ON)
 CONTACT CONFIGURATION
 NON-ILLUMINATED
 FUNCTION "V"



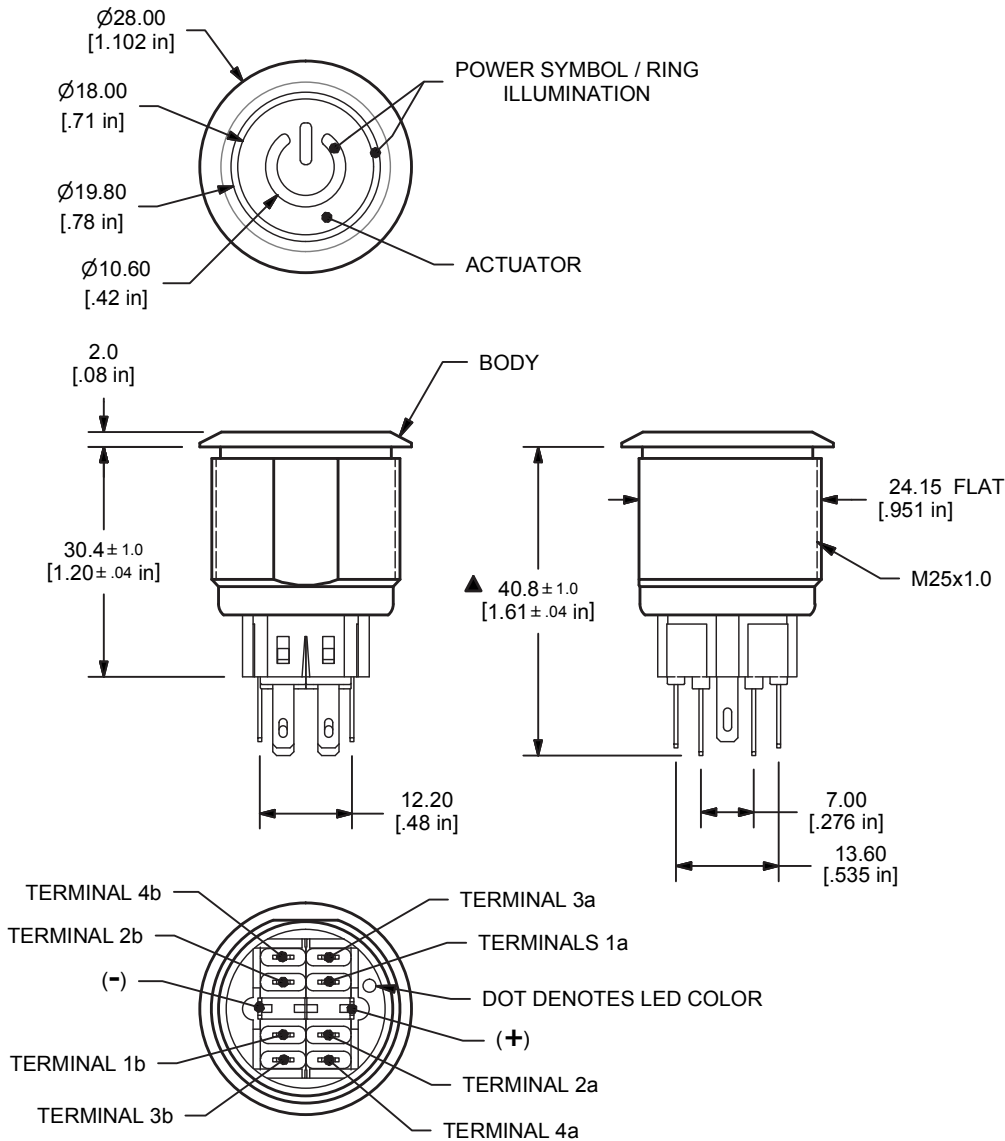
SPDT ON (OFF) / OFF (ON)
 CONTACT CONFIGURATION
 NON-ILLUMINATED
 FUNCTION "Y"

SCHEMATIC

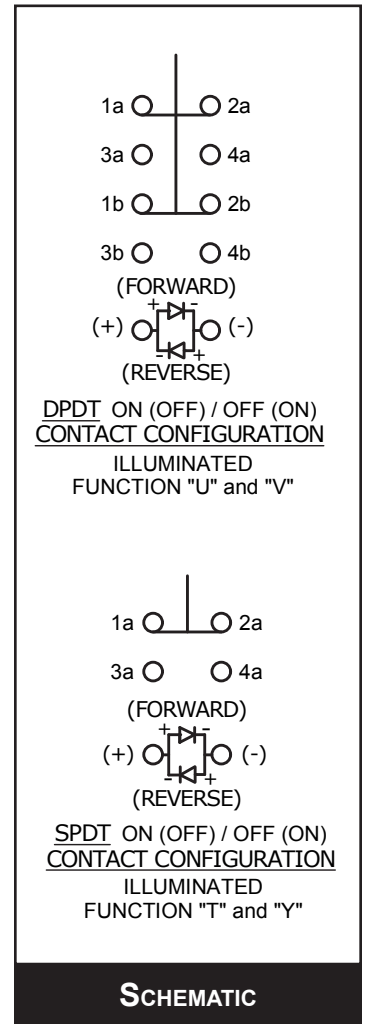
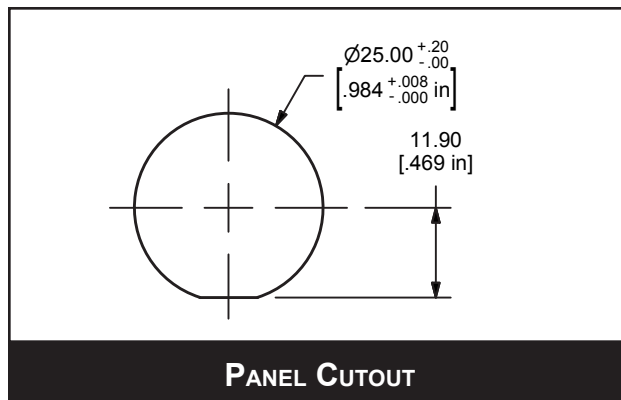


PV8 SERIES ANTI-VANDAL SWITCH

ILLUMINATED RING WITH POWER SYMBOL



* DPDT (Function "U" and "V") Terminals 1a - 4a and 1b - 4b (AS SHOWN)
 SPDT (Function "T" and "Y") Terminals 1a - 4a

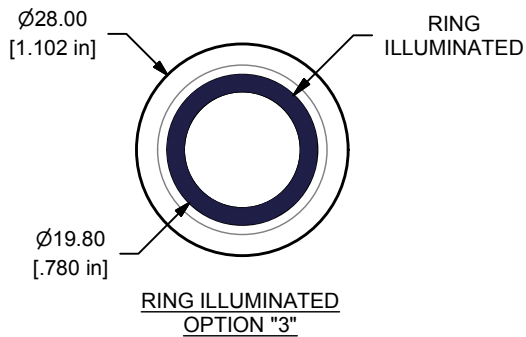
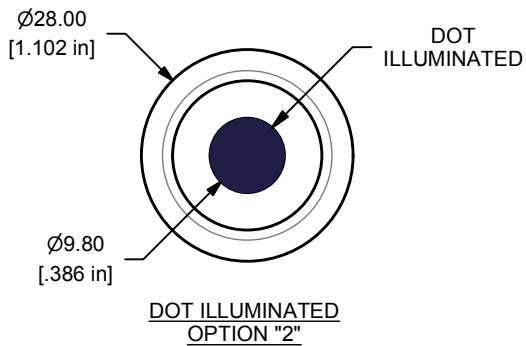


ANTI-VANDAL SWITCHES
 DETECTOR SWITCHES
 DIP SWITCHES
 KEYLOCK SWITCHES
 NAVIGATION SWITCHES
 PUSHBUTTON SWITCHES
 ROCKER SWITCHES
 ROTARY SWITCHES
 SLIDE SWITCHES
 SNAP ACTION SWITCHES
 TACTILE SWITCHES
 TOGGLE SWITCHES
 CAP OPTIONS

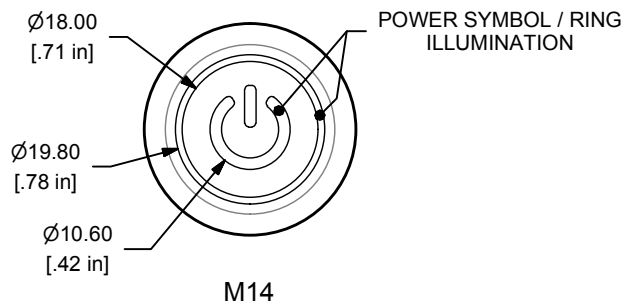
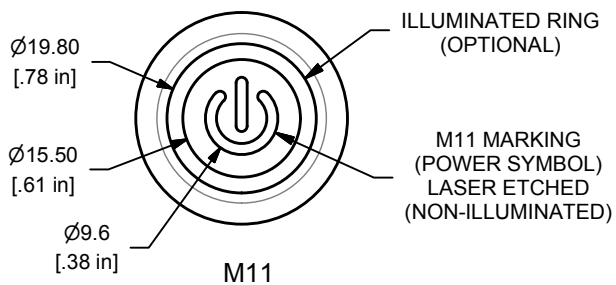


PV8 SERIES ANTI-VANDAL SWITCH

ACTUATOR OPTIONS



Lens Styles



X-ON Electronics

Largest Supplier of Electrical and Electronic Components

Click to view similar products for [Pushbutton Switches](#) category:

Click to view products by [E-Switch](#) manufacturer:

Other Similar products are found below :

[8940K2012](#) [LW1L-M1C10V-A](#) [LW1L-M1C70-A](#) [LW2L-A1C20M-GD](#) [LW2L-M1C20M-A](#) [60324L](#) [M22-D-R-GB0/K11](#) [M7E-HRN2](#)
[67021K512](#) [67081K512X](#) [701PB580](#) [7190K101](#) [7199K101](#) [810K12910](#) [810KSV30B](#) [MML21EA2ADK](#) [MML21KA3ABK](#)
[MML23KA3AC05K-001](#) [MML23KW3AA01W](#) [8418K2](#) [8442K3](#) [8450K1](#) [860K11911T01A](#) [861901](#) [861K11911T01A07](#)
[861K13810T00A14](#) [861K13911](#) [8646AB6X718UL](#) [8646ABUL](#) [9001KXRK](#) [907AYY100](#) [PMHD155A1](#) [95-313.000](#)
[9533CD4+U574+U4922](#) [95-414.000](#) [99-450.837](#) [99-453.837](#) [PV3H2B0NN-341](#) [1203MRA](#) [A22NZBGANGA](#) [A22NZBMMNGA](#)
[A22NZBNANGA](#) [A22NZMPATRA](#) [A2PMA1X03EC56](#) [A3A-5123-02](#) [A3A-7140](#) [A3A-7310](#) [A3A-7340](#) [A3U-TMW-A2C-5M](#) [A595](#)