

# PV8 SERIES ANTI-VANDAL SWITCH

ANTI-VANDAL SWITCHES  
DETECTOR SWITCHES  
DIP SWITCHES  
KEYLOCK SWITCHES  
NAVIGATION SWITCHES  
PUSHBUTTON SWITCHES  
ROCKER SWITCHES  
ROTARY SWITCHES  
SLIDE SWITCHES  
SNAP ACTION SWITCHES  
TACTILE SWITCHES  
TOGGLE SWITCHES  
CAP OPTIONS



## APPLICATIONS / MARKETS



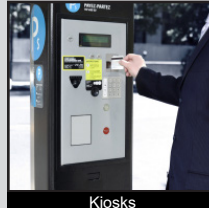
Audio / Visual



Security Devices



Industrial Controls



Kiosks



Electrical Housewares



Medical Equipment

**RoHS**

## SPECIFICATIONS

**Electrical Rating:** 2A, 48VDC  
**Electrical Life:** 50,000 Cycles  
**Contact Resistance:** 50mΩ Max.  
**Insulation Resistance:** 1000 MΩ Min. @ 500VDC  
**Dielectric Strength:** 2,000VAC  
**Operating/Storage Temperature:** -20°C to 55°C  
**Travel:** 2.80mm  
**Moisture Protection:** IP65  
**Contact Arrangement:** SPDT& DPDT  
**Actuation Force:** 6.5 N  
**Panel Thickness:** 1-10mm for Momentary  
 1-12mm for Maintained  
**Mounting Nut Torque:** 5-14Nm

## FEATURES & BENEFITS

- 25mm diameter panel cutout
- LED color options
- Dot, ring or power symbol illumination available
- Multiple function options
- IP65 rated
- SPDT & DPDT arrangements
- Soldered wire leads (300mm long) optional

## PART NUMBER CONFIGURATOR

Series	Actuator Options	Terminal Options	Function Options	Rating Options	Body Finish Options	Actuator Finish Options	Lens Style Options	LED-Color Options	Illumination Voltage Options	Graphic (Optional)
<input type="checkbox"/> PV8	<input type="checkbox"/> F - Flat	<input type="checkbox"/> 2 - Solder <input type="checkbox"/> W - Wire Leads 300mm long	<input type="checkbox"/> T - 2 Pole 1P Off-On + 1P On-Off <input type="checkbox"/> Y - 2 Pole 1P Off-(On) + 1P On-(Off) <input type="checkbox"/> U - 4 Pole 2P Off-On + 2P On-Off <input type="checkbox"/> V - 4 Pole 2P Off-(On) + 2P On-(Off)	<input type="checkbox"/> 0 - 2A, 48VDC	<input type="checkbox"/> 1 - Black Anodized <input type="checkbox"/> N - Nickel Plated <input type="checkbox"/> S - Stainless Steel	<input type="checkbox"/> 1 - Black Anodized <input type="checkbox"/> N - Nickel Plated <input type="checkbox"/> S - Stainless Steel	<input type="checkbox"/> NONE - Non-Illuminated <input type="checkbox"/> 2 - Dot Illumination <input type="checkbox"/> 3 - Ring Illumination	<input type="checkbox"/> NONE- Non-Illuminated <input type="checkbox"/> 0 - White <input type="checkbox"/> 1 - Red <input type="checkbox"/> 2 - Orange <input type="checkbox"/> 3 - Green <input type="checkbox"/> 4 - Blue <input type="checkbox"/> 5 - Yellow	<input type="checkbox"/> NONE - Non-Illuminated <input type="checkbox"/> 1 - Base Voltage <input type="checkbox"/> 3 - 6V <input type="checkbox"/> 4 - 12V <input type="checkbox"/> 5 - 24V <input type="checkbox"/> 6 - 125V <input type="checkbox"/> 7 - 250V	<input type="checkbox"/> M11 - Power symbol laser etched <input type="checkbox"/> M14 - Power symbol / Ring Illumination

**NOTES:**  
 \*( ) denotes function is momentary

Specifications subject to change without notice 5.2.2019



**E-SWITCH®**

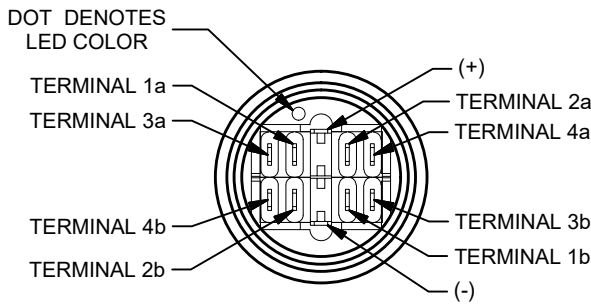
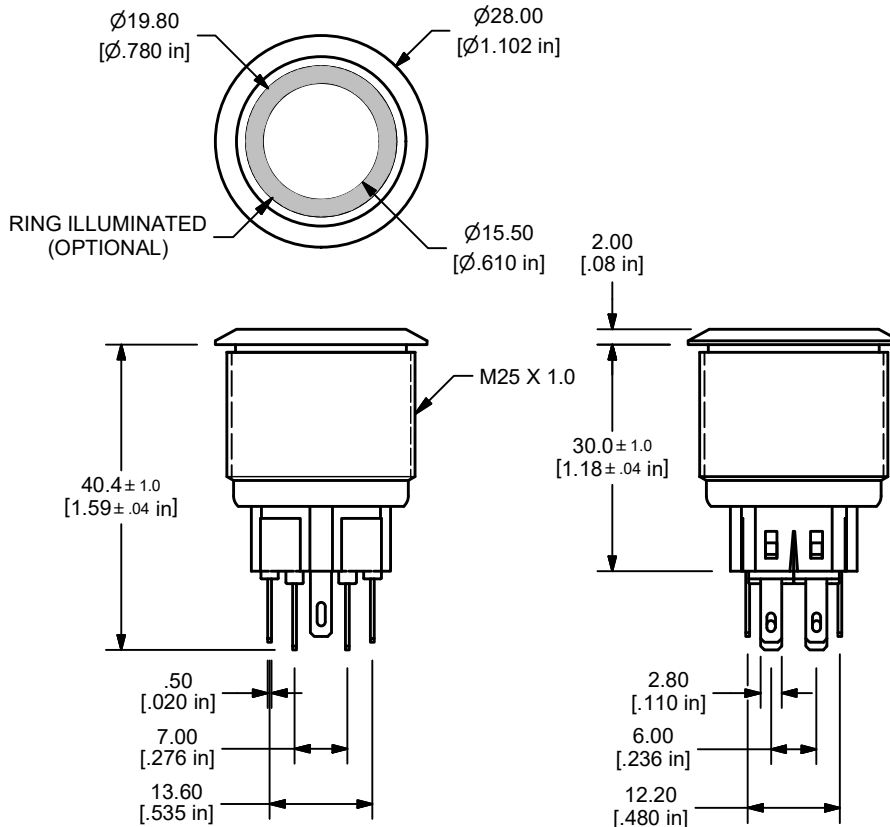
www.e-switch.com

800.867.2717

1

# PV8 SERIES ANTI-VANDAL SWITCH

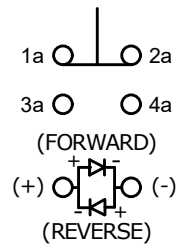
## STANDARD LED FUNCTIONS T & U



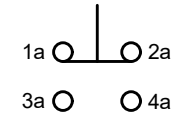
SPDT - FUNCTION T  
TERMINALS 1a - 4a

DPDT - FUNCTION U  
TERMINALS 1a - 4a AND  
1b - 4b (AS SHOWN)

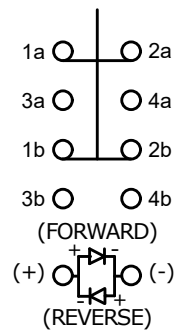
TERMINALS (-) AND (+)  
USED WITH ILLUMINATED  
OPTION ONLY



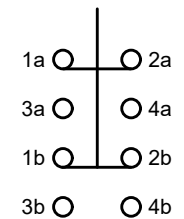
**SPDT LED SCHEMATIC**



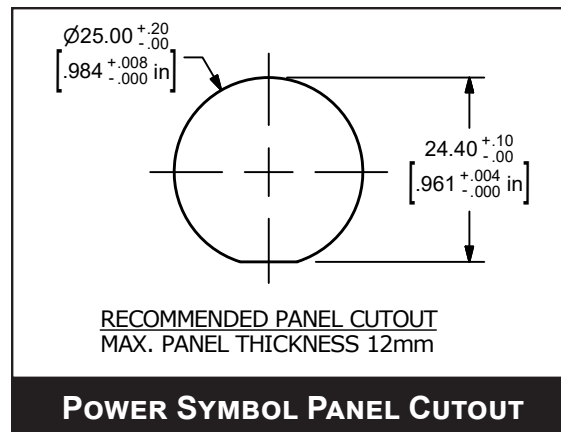
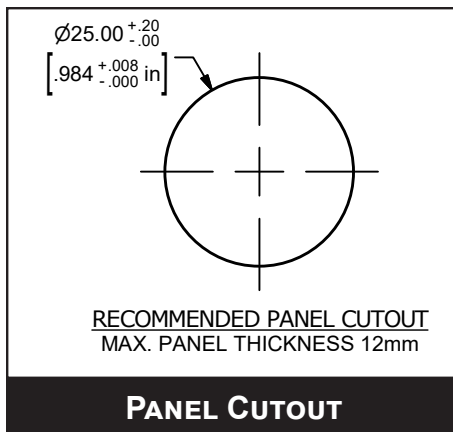
**SPDT Non ILL SCHEMATIC**



**DPDT LED SCHEMATIC**



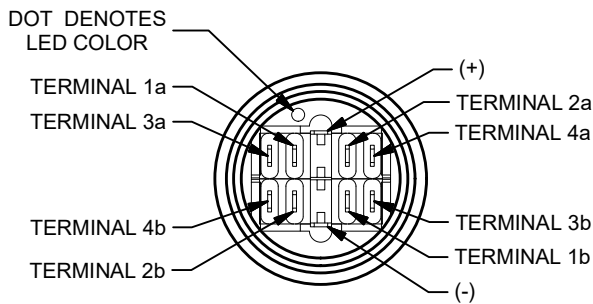
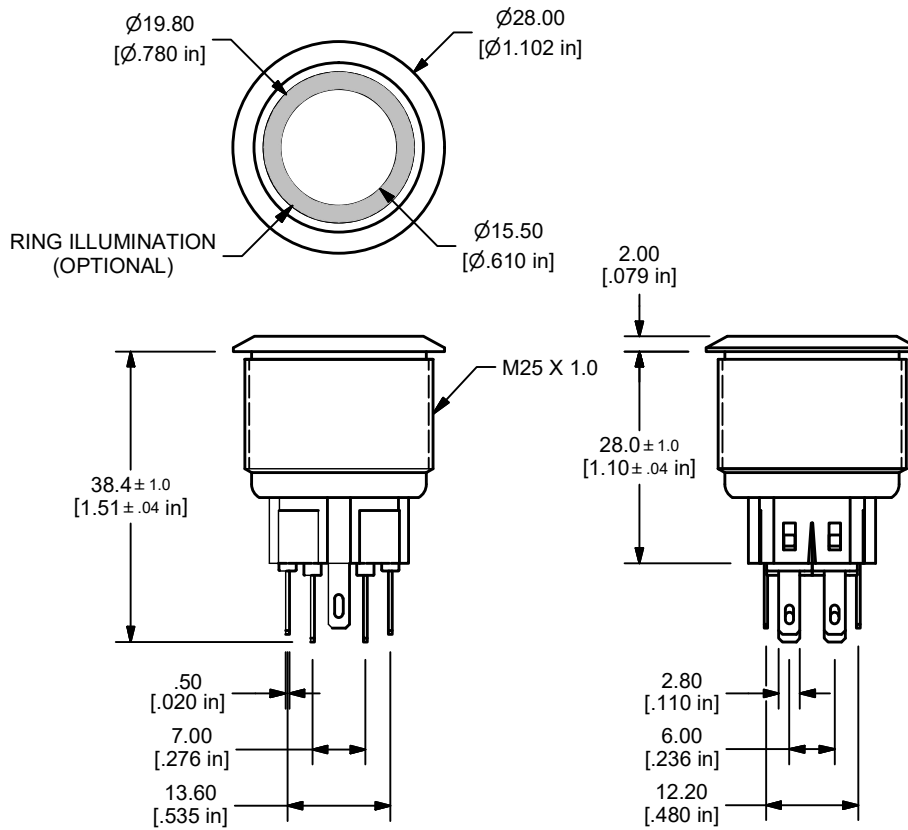
**DPDT Non ILL SCHEMATIC**



ANTI-VANDAL SWITCHES  
DETECTOR SWITCHES  
DIP SWITCHES  
KEYLOCK SWITCHES  
NAVIGATION SWITCHES  
PUSHBUTTON SWITCHES  
ROCKER SWITCHES  
ROTARY SWITCHES  
SLIDE SWITCHES  
SNAP ACTION SWITCHES  
TACTILE SWITCHES  
TOGGLE SWITCHES  
CAP OPTIONS

# PV8 SERIES ANTI-VANDAL SWITCH

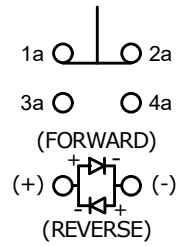
## STANDARD LED FUNCTIONS Y & V



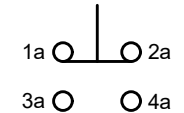
SPDT - FUNCTION Y  
 TERMINALS 1a - 4a

DPDT - FUNCTION V  
 TERMINALS 1a - 4a AND  
 1b - 4b (AS SHOWN)

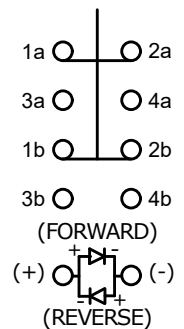
TERMINALS (-) AND (+)  
 USED WITH ILLUMINATED  
 OPTION ONLY



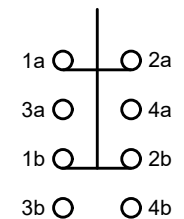
**SPDT LED SCHEMATIC**



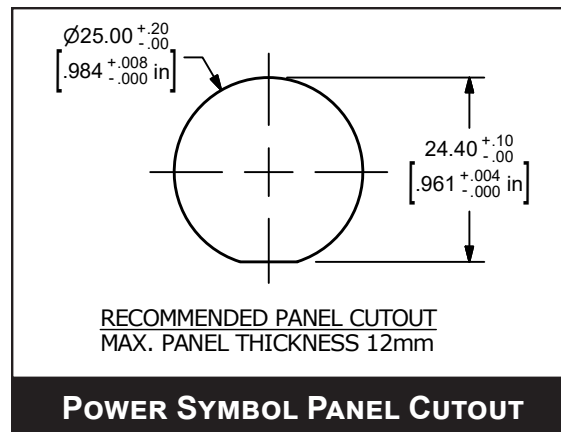
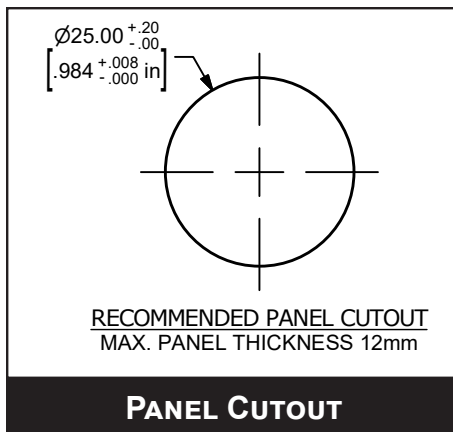
**SPDT Non ILL SCHEMATIC**



**DPDT LED SCHEMATIC**

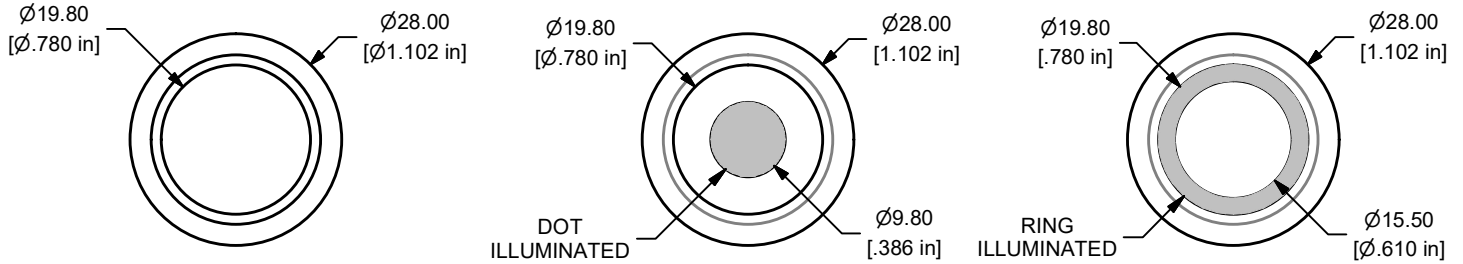


**DPDT Non ILL SCHEMATIC**



# PV8 SERIES ANTI-VANDAL SWITCH

## ACTUATOR OPTIONS

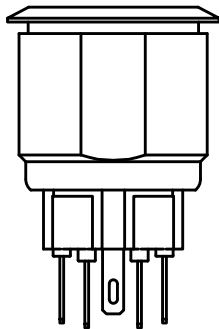
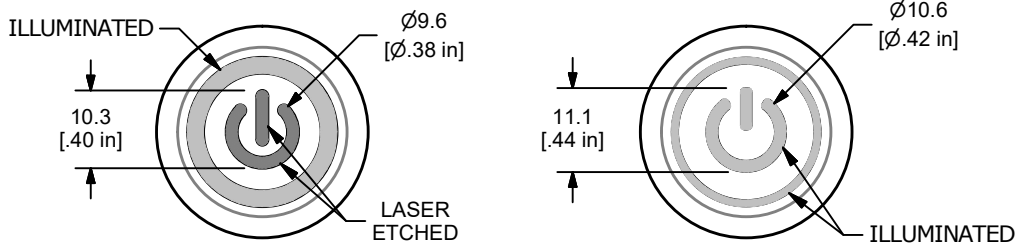


**FLAT NON-ILLUMINATED**

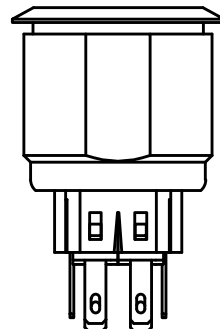
**FLAT DOT ILLUMINATED**

**FLAT RING ILLUMINATED**

## GRAPHIC OPTIONS



**M11**



**M14**



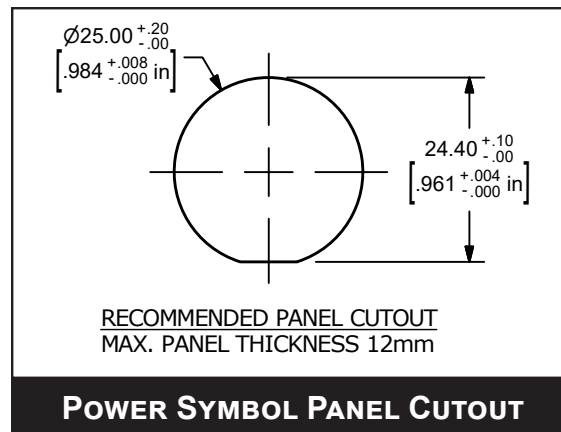
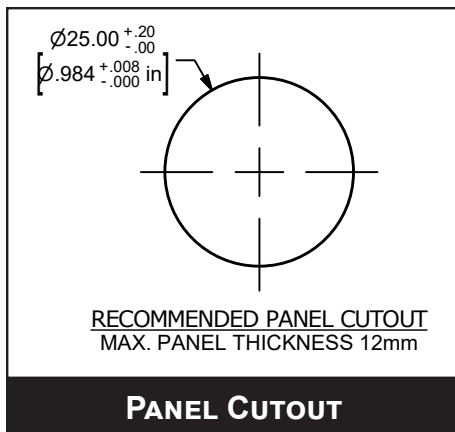
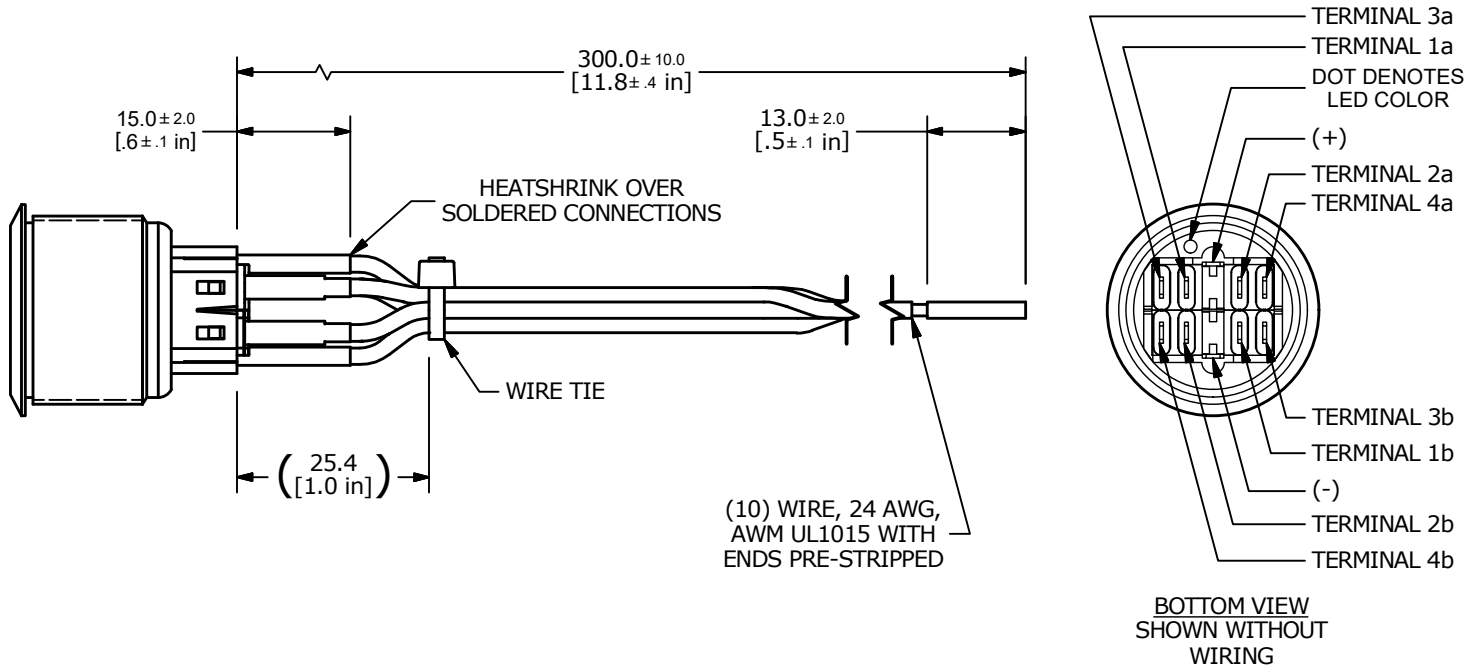
ANTI-VANDAL SWITCHES  
 DETECTOR SWITCHES  
 DIP SWITCHES  
 KEYLOCK SWITCHES  
 NAVIGATION SWITCHES  
 PUSHBUTTON SWITCHES  
 ROCKER SWITCHES  
 ROTARY SWITCHES  
 SLIDE SWITCHES  
 SNAP ACTION SWITCHES  
 TACTILE SWITCHES  
 TOGGLE SWITCHES  
 CAP OPTIONS

# PV8 SERIES ANTI-VANDAL SWITCH

## STANDARD LED WIRE LEAD

SWITCH	WIRE	LENGTH
SW1-1a	WIRE, 24AWG AWM UL1015, WHITE	300.0 [11.8 in]
SW1-2a	WIRE, 24AWG AWM UL1015, WHITE	300.0 [11.8 in]
SW1-3a	WIRE, 24AWG AWM UL1015, BLUE	300.0 [11.8 in]
SW1-4a	WIRE, 24AWG AWM UL1015, BLUE	300.0 [11.8 in]
SW1-1b	WIRE, 24AWG AWM UL1015, WHITE	300.0 [11.8 in]
SW1-2b	WIRE, 24AWG AWM UL1015, WHITE	300.0 [11.8 in]
SW1-3b	WIRE, 24AWG AWM UL1015, BLUE	300.0 [11.8 in]
SW1-4b	WIRE, 24AWG AWM UL1015, BLUE	300.0 [11.8 in]
SW1- (+)	WIRE, 24AWG AWM UL1015, RED	300.0 [11.8 in]
SW1- (-)	WIRE, 24AWG AWM UL1015, BLACK	300.0 [11.8 in]

\*\* WIRE LEADS PROVIDED ARE DEPENDANT ON THE FUNCTION AND/OR ILLUMINATION SELECTED \*\*



## X-ON Electronics

Largest Supplier of Electrical and Electronic Components

*Click to view similar products for [Pushbutton Switches](#) category:*

*Click to view products by [E-Switch](#) manufacturer:*

Other Similar products are found below :

[8940K2012](#) [LW1L-M1C10V-A](#) [LW1L-M1C70-A](#) [LW2L-A1C20M-GD](#) [LW2L-M1C20M-A](#) [60324L](#) [M22-D-R-GB0/K11](#) [M7E-HRN2](#)  
[67021K512](#) [67081K512X](#) [701PB580](#) [7190K101](#) [7199K101](#) [810K12910](#) [810KSV30B](#) [MML21EA2ADK](#) [MML21KA3ABK](#)  
[MML23KA3AC05K-001](#) [MML23KW3AA01W](#) [8418K2](#) [8442K3](#) [8450K1](#) [860K11911T01A](#) [861901](#) [861K11911T01A07](#)  
[861K13810T00A14](#) [861K13911](#) [8646AB6X718UL](#) [8646ABUL](#) [9001KXRK](#) [907AYY100](#) [PMHD155A1](#) [95-313.000](#)  
[9533CD4+U574+U4922](#) [95-414.000](#) [99-450.837](#) [99-453.837](#) [PV3H2B0NN-341](#) [1203MRA](#) [A22NZBGANGA](#) [A22NZBMMNGA](#)  
[A22NZBNANGA](#) [A22NZMPATRA](#) [A2PMA1X03EC56](#) [A3A-5123-02](#) [A3A-7140](#) [A3A-7310](#) [A3A-7340](#) [A3U-TMW-A2C-5M](#) [A595](#)